

# AUXILIARY VIEWS - ORTHOGRAPHIC DRAWING

## QUESTION

Complete the auxiliary view, of the circular disk shown opposite.  
Details and dimensions of the object are shown on the right.

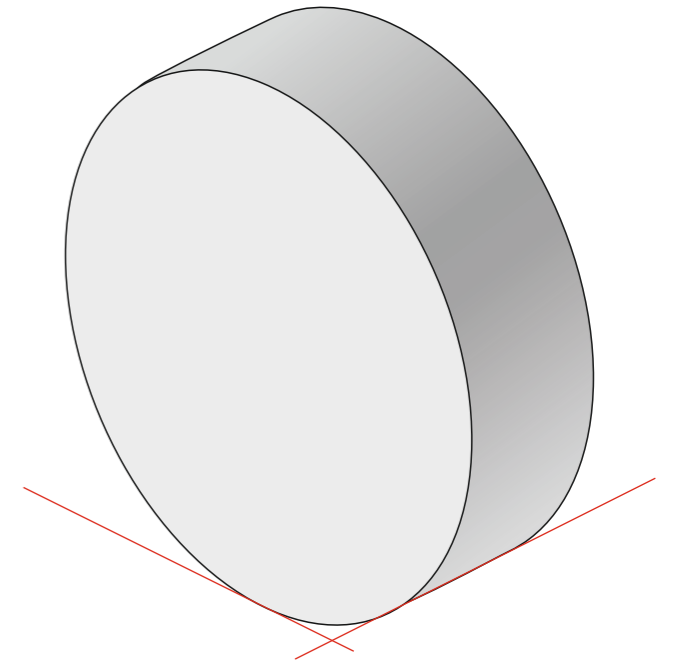
HELPFUL LINK:

[https://technologystudent.com/despro\\_3/auxil2.html](https://technologystudent.com/despro_3/auxil2.html)

HELPFUL LINK

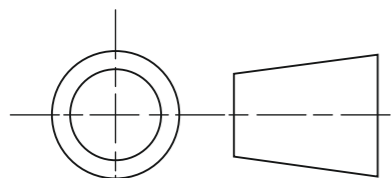
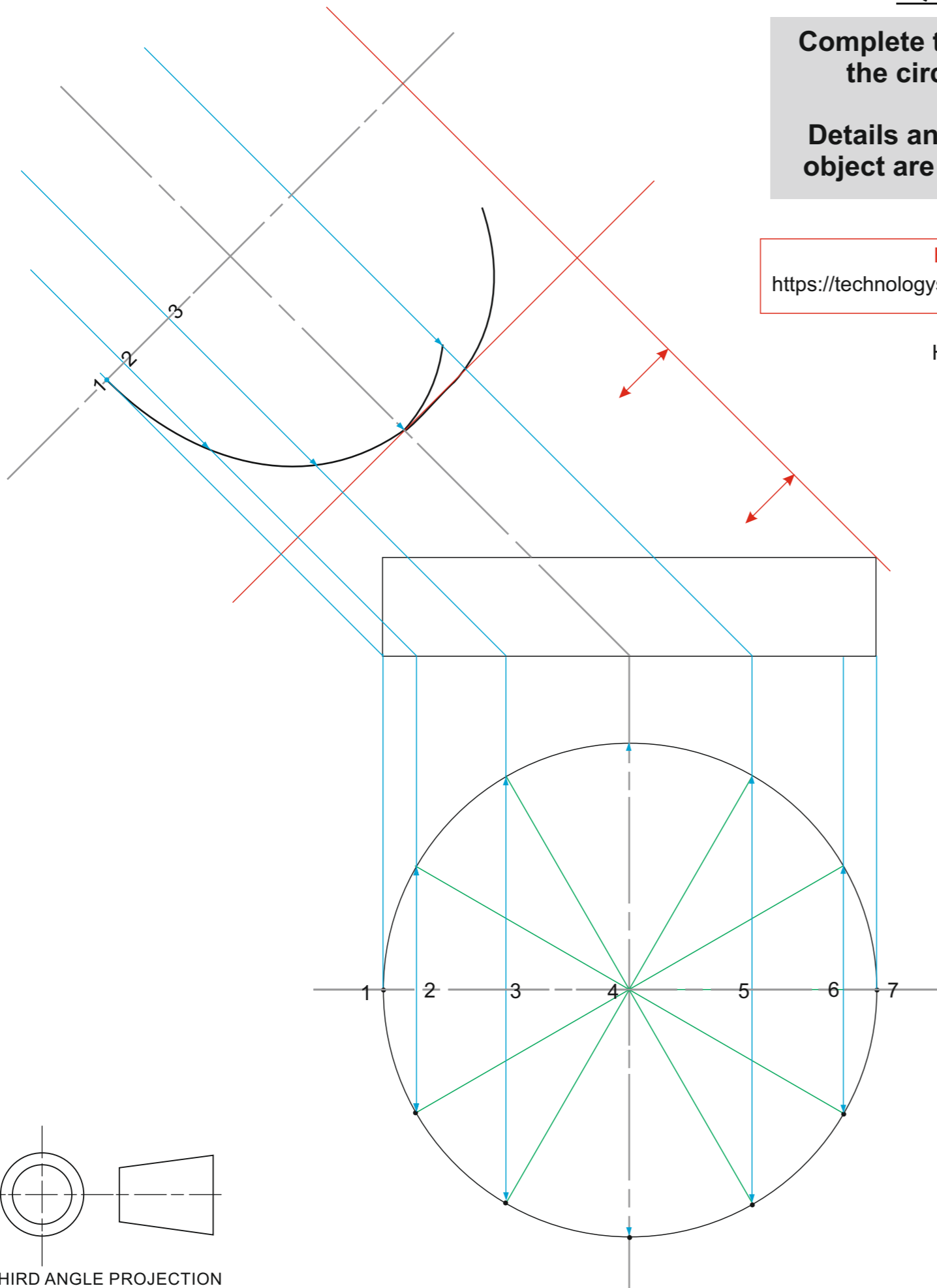
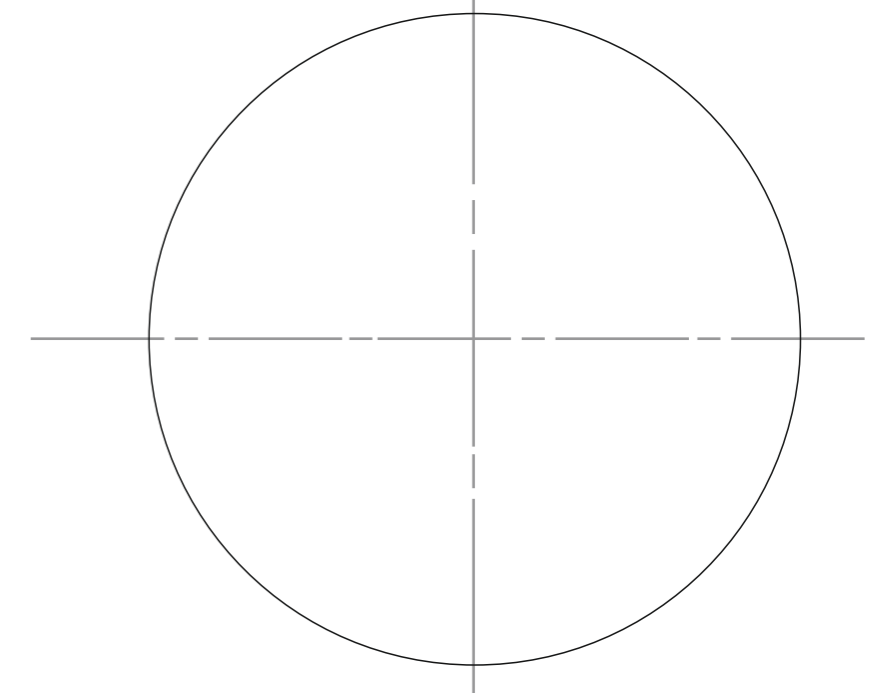
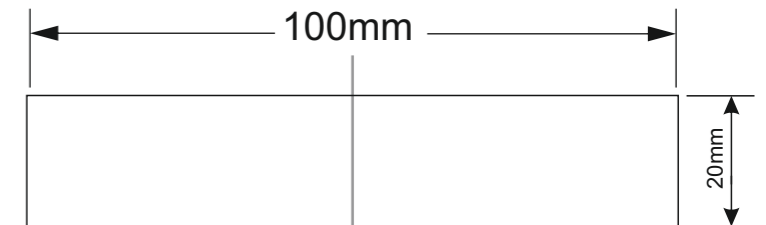


## ISOMETRIC



## DIMENSIONS

(not drawn to scale)



THIRD ANGLE PROJECTION