

# AUXILIARY VIEWS - ORTHOGRAPHIC DRAWING

WORLD ASSOCIATION OF TECHNOLOGY TEACHERS

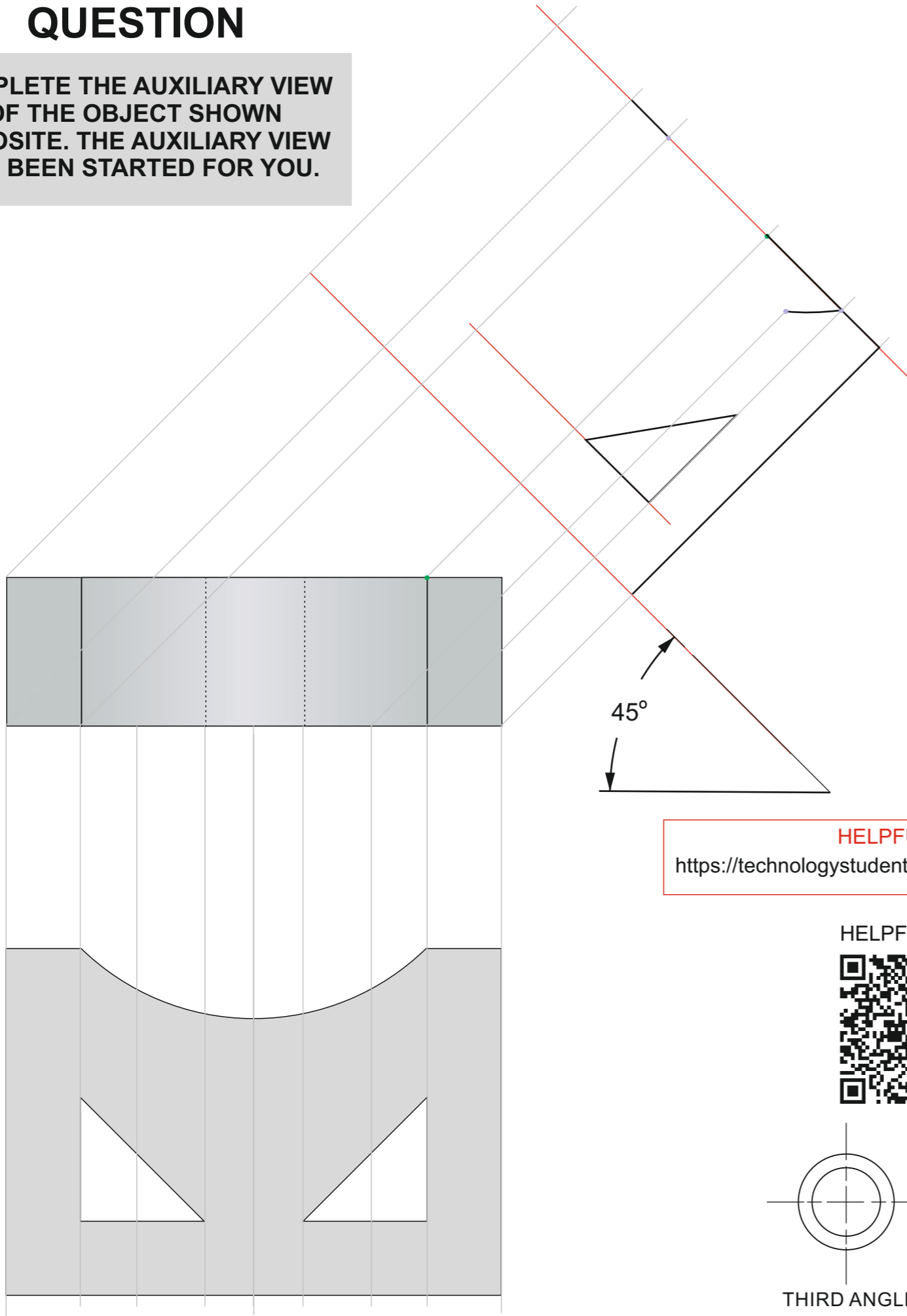
<https://www.facebook.com/groups/254963448192823/>

technologystudent.com © 2023

V.Ryan © 2023

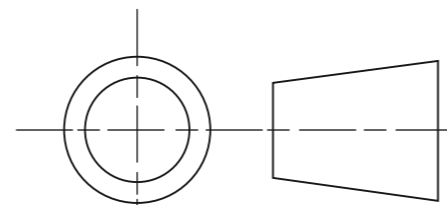
## QUESTION

COMPLETE THE AUXILIARY VIEW OF THE OBJECT SHOWN OPPOSITE. THE AUXILIARY VIEW HAS BEEN STARTED FOR YOU.

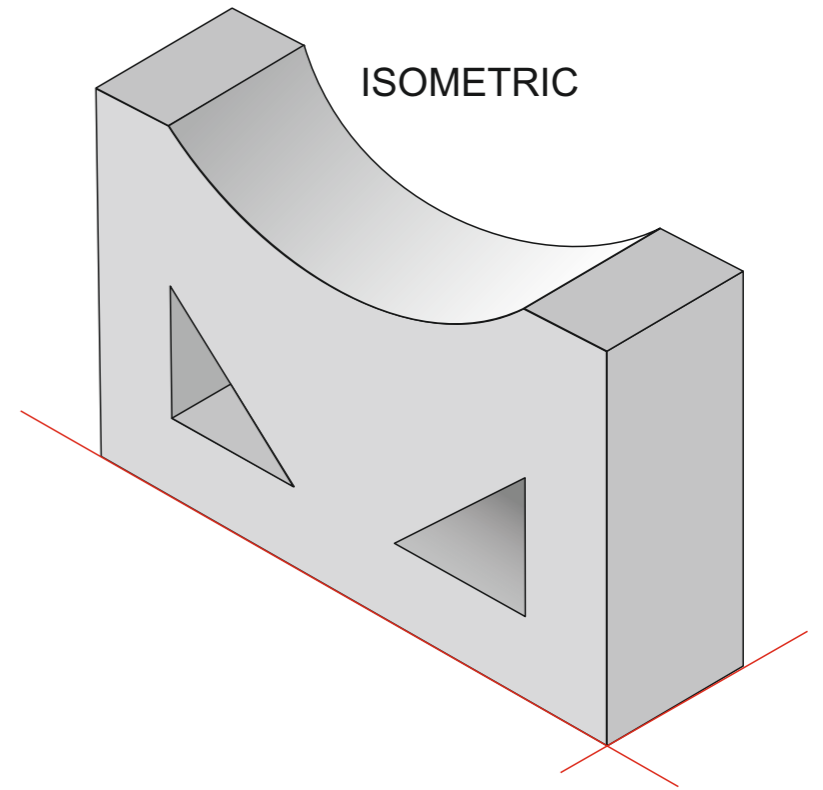


HELPFUL LINK:  
[https://technologystudent.com/despro\\_3/auxil5.html](https://technologystudent.com/despro_3/auxil5.html)

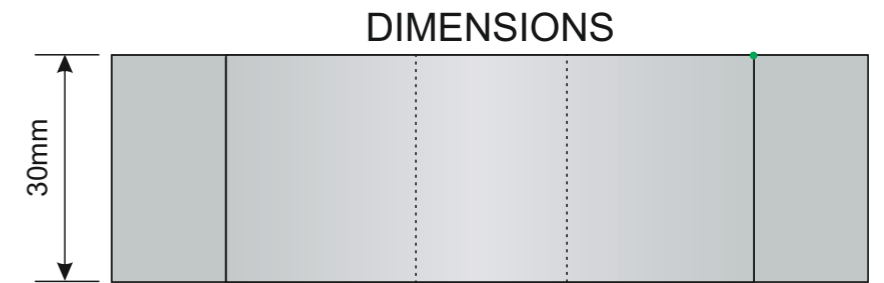
HELPFUL LINK



THIRD ANGLE PROJECTION



ISOMETRIC



DIMENSIONS

