

# QUESTION

# DEVELOPMENTS - HEXAGONAL PYRAMIDS

WORLD ASSOCIATION OF TECHNOLOGY TEACHERS

<https://www.facebook.com/groups/254963448192823/>

technologystudent.com © 2024

V.Ryan © 2024

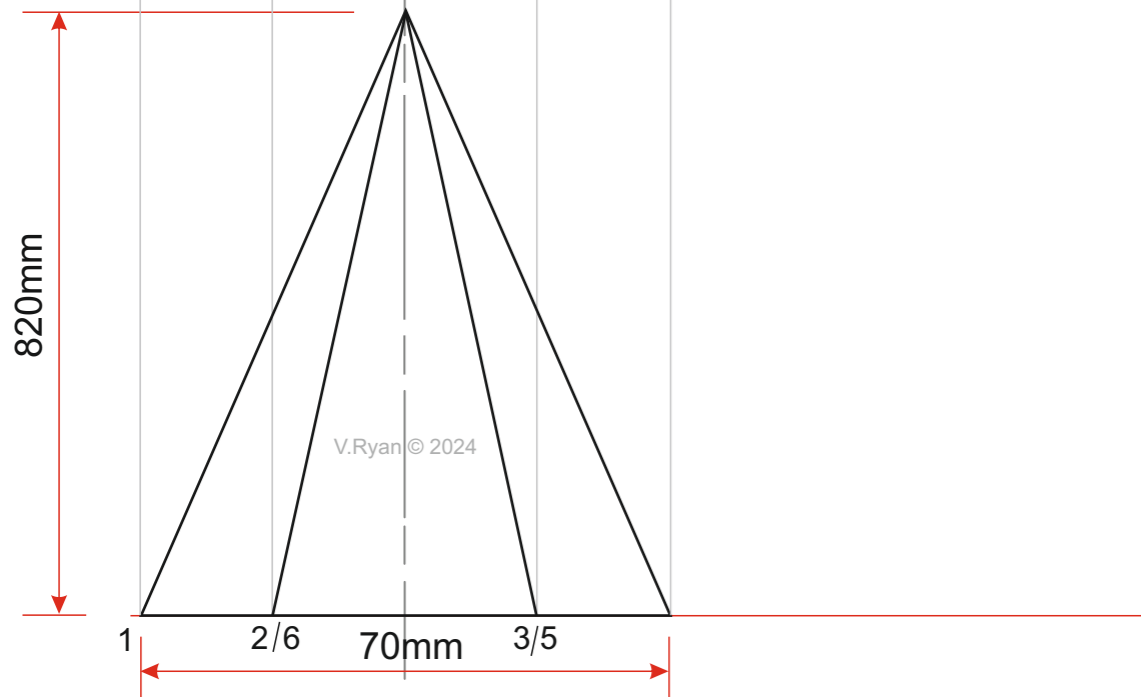
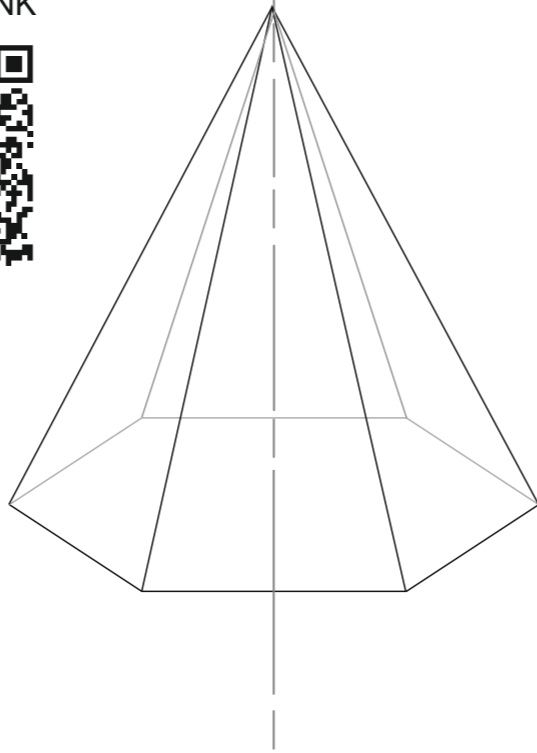
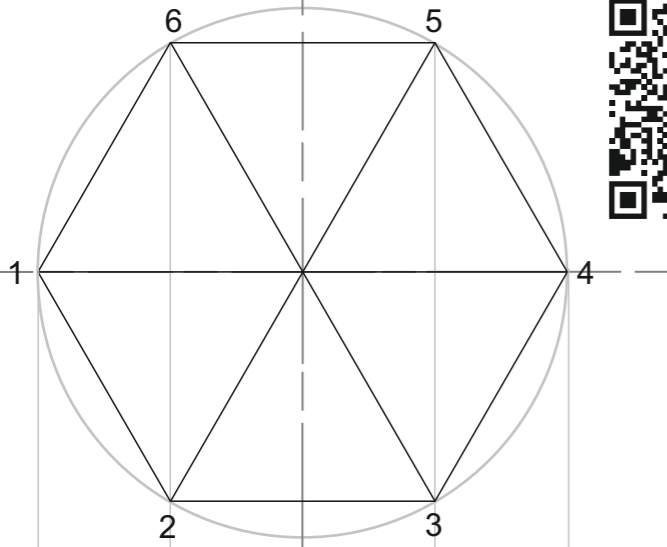
COMPLETE THE DEVELOPMENT OF THE PLAIN PYRAMID

## PLAIN HEXAGONAL PYRAMID

HELPFUL LINK

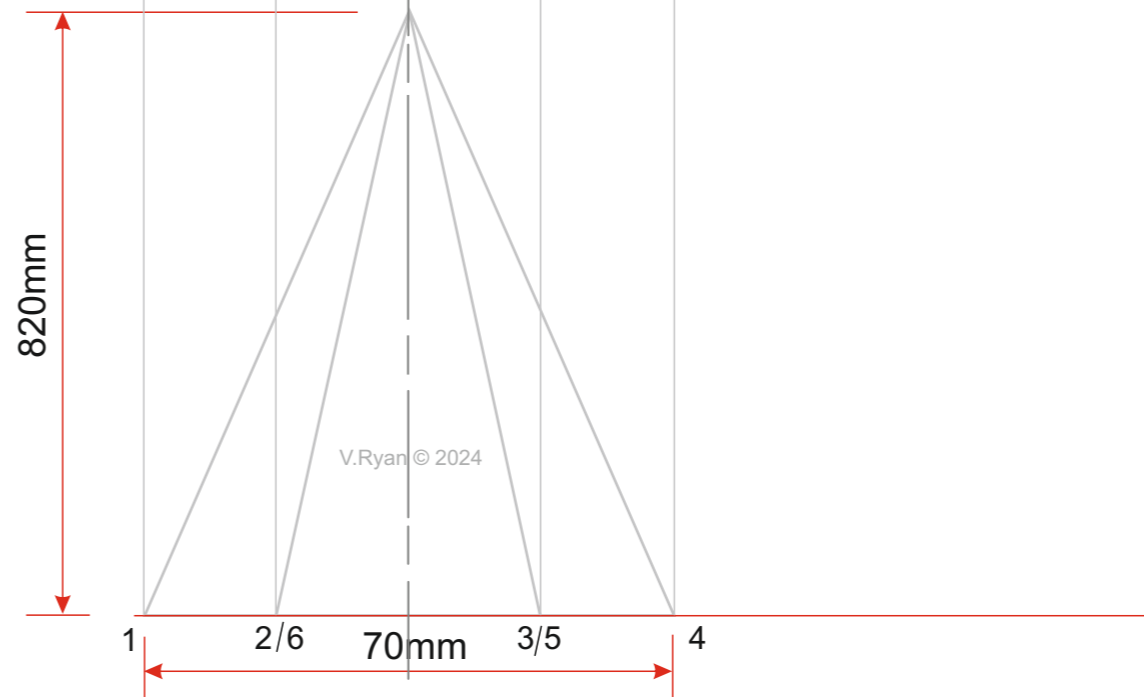
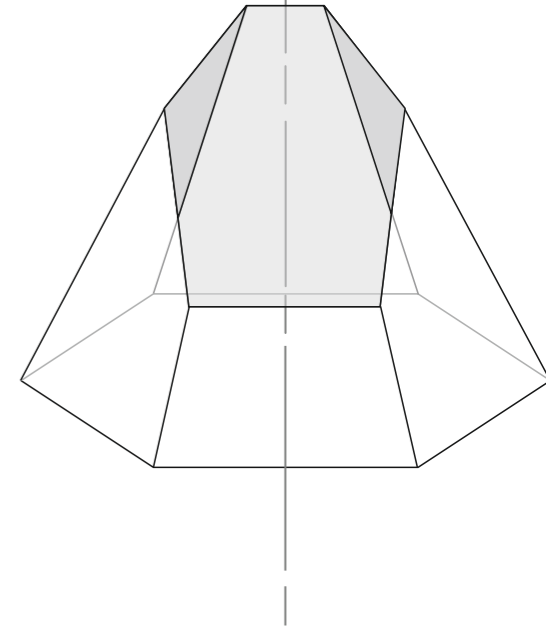
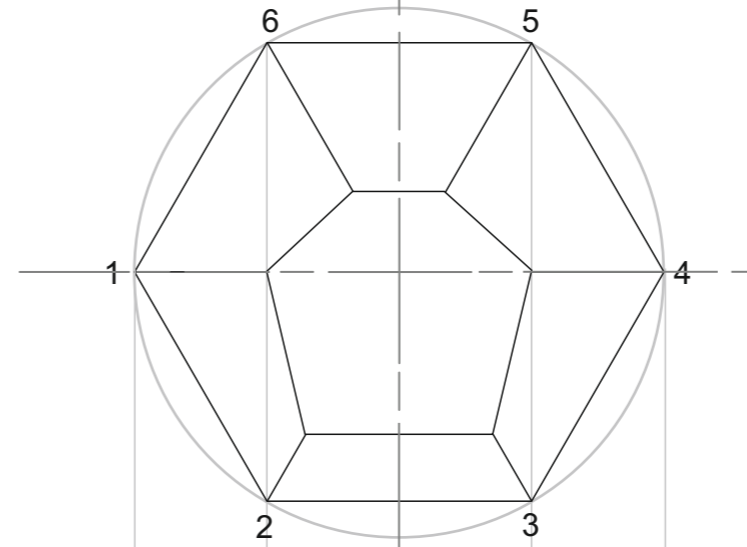


HELPFUL LINK: [https://technologystudent.com/despro\\_3/develop8.html](https://technologystudent.com/despro_3/develop8.html)



COMPLETE THE DEVELOPMENT OF THE TRUNCATED PYRAMID

## TRUNCATED HEXAGONAL PYRAMID



COMPLETE THE DEVELOPMENT OF THE PLAIN PYRAMID (ADD A BASE)

### PLAIN HEXAGONAL PYRAMID WITH BASE

HELPFUL LINK



COMPLETE THE DEVELOPMENT OF THE TRUNCATED PYRAMID (ADD A BASE)

### TRUNCATED HEXAGONAL PYRAMID WITH BASE

HELPFUL LINK: [https://technologystudent.com/despro\\_3/develop8.html](https://technologystudent.com/despro_3/develop8.html)

