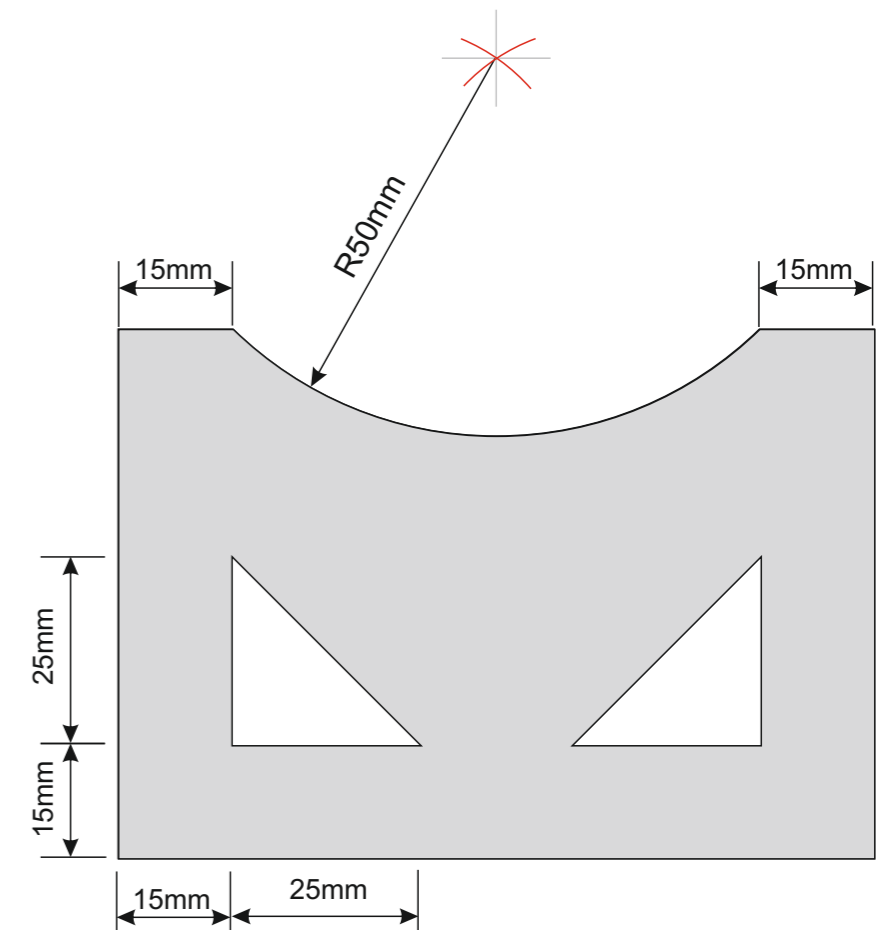
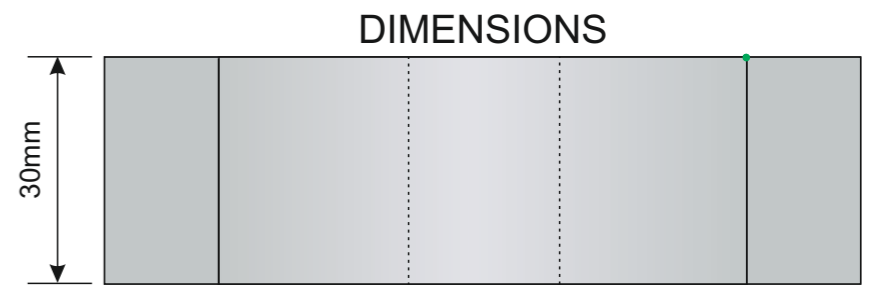
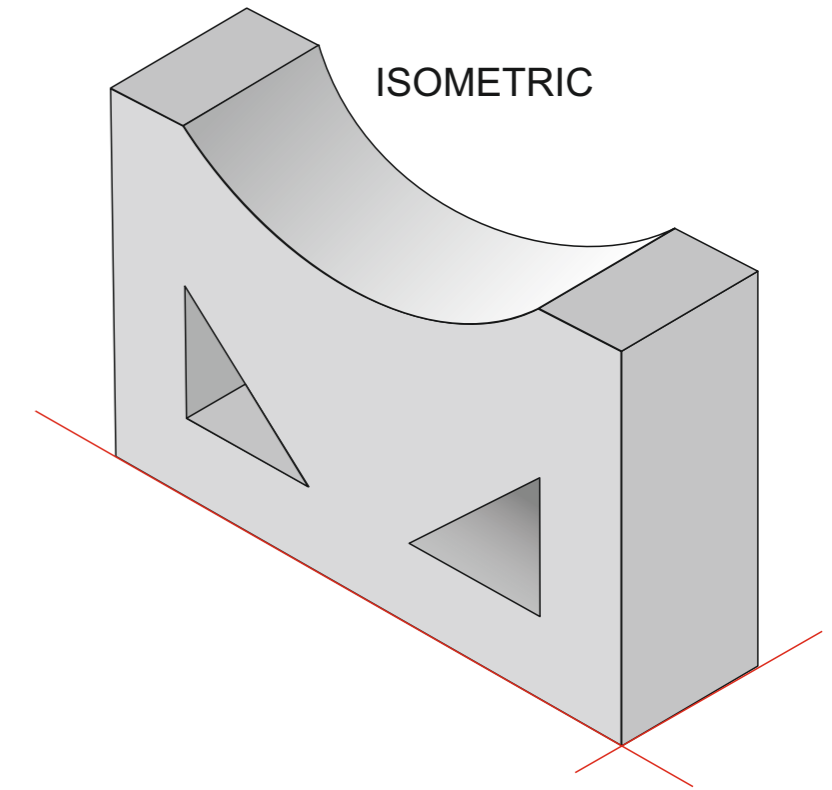


OBLIQUE PROJECTION

QUESTION

DRAW THE OBLIQUE PROJECTION OF THE SOLID OBJECT

SCALE 2:1



HELPFUL LINK



HELPFUL LINK:

https://technologystudent.com/despro_3/oblique4.html