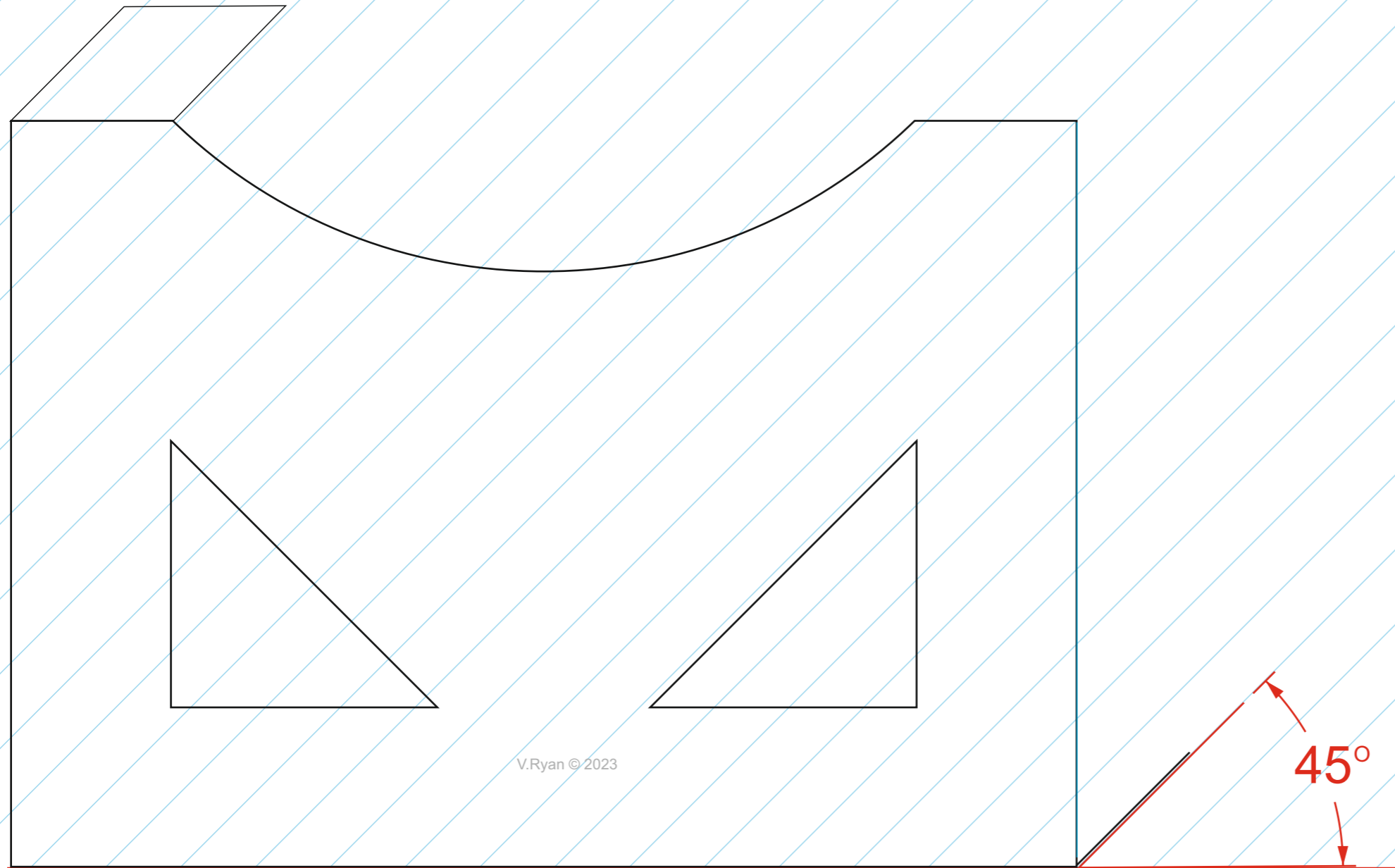


# OBLIQUE PROJECTION

## QUESTION

COMPLETE THE OBLIQUE PROJECTION OF THE SOLID OBJECT

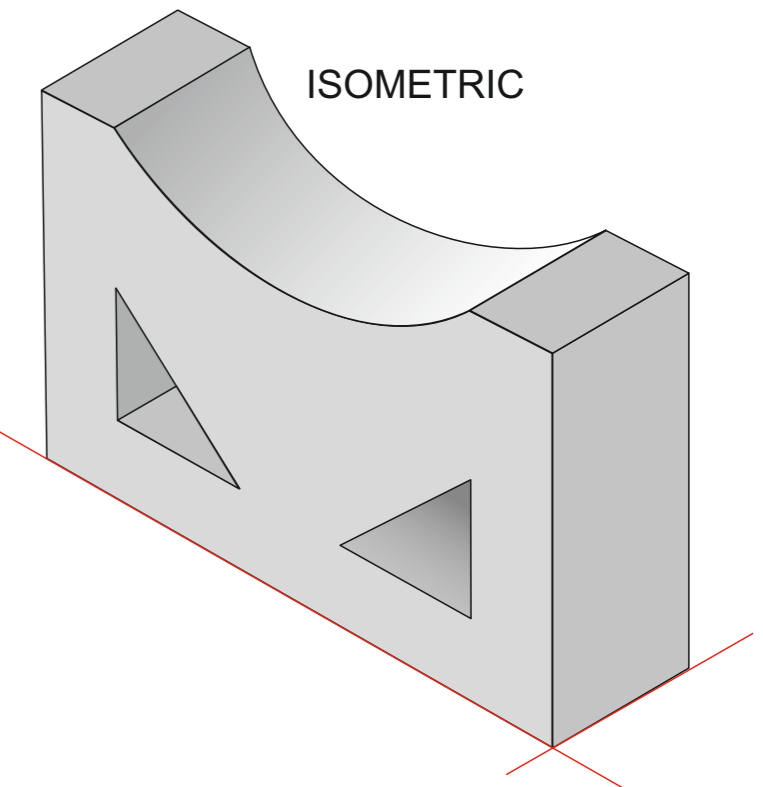
SCALE 2:1



V.Ryan © 2023

HELPFUL LINK

HELPFUL LINK:  
[https://technologystudent.com/despro\\_3/oblique4.html](https://technologystudent.com/despro_3/oblique4.html)



DIMENSIONS

