

OBLIQUE PROJECTION

QUESTION

1. COMPLETE THE OBLIQUE PROJECTION OF THE ALUMINIUM CASTING SHOWN BELOW.
2. IN THE BLUE BOX, DRAW YOUR OWN DESIGN OF A 'CASTING'. IT MUST INCLUDE A HOLE / CURVE(S)

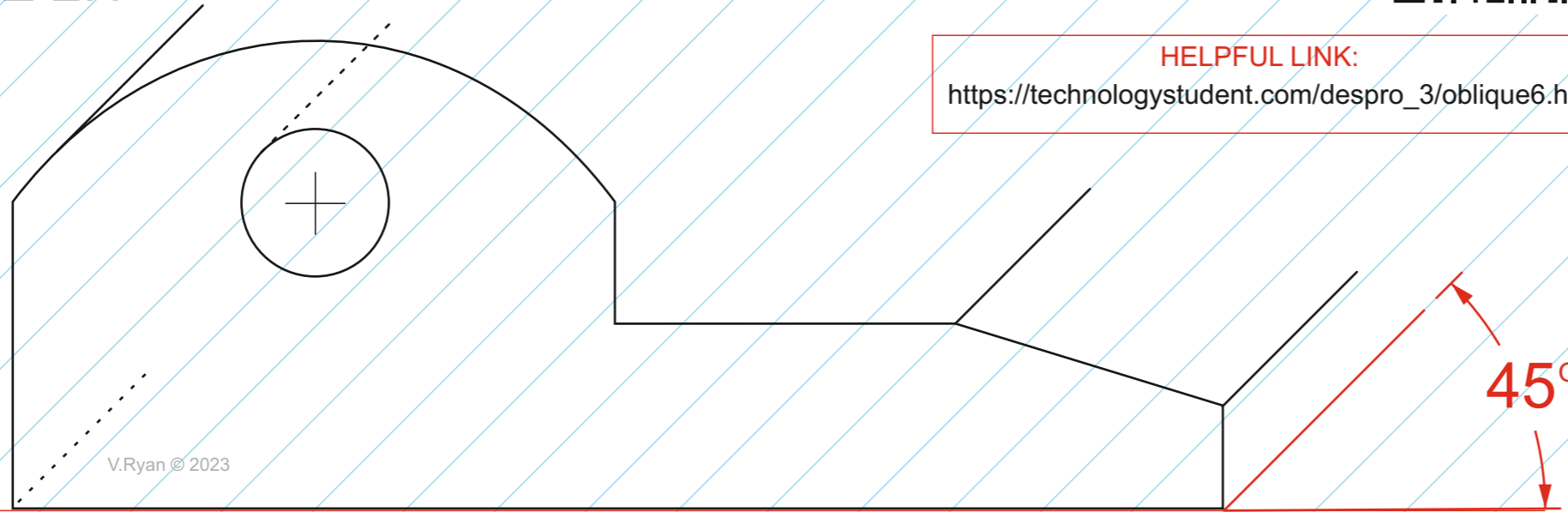
HELPFUL LINK



HELPFUL LINK:

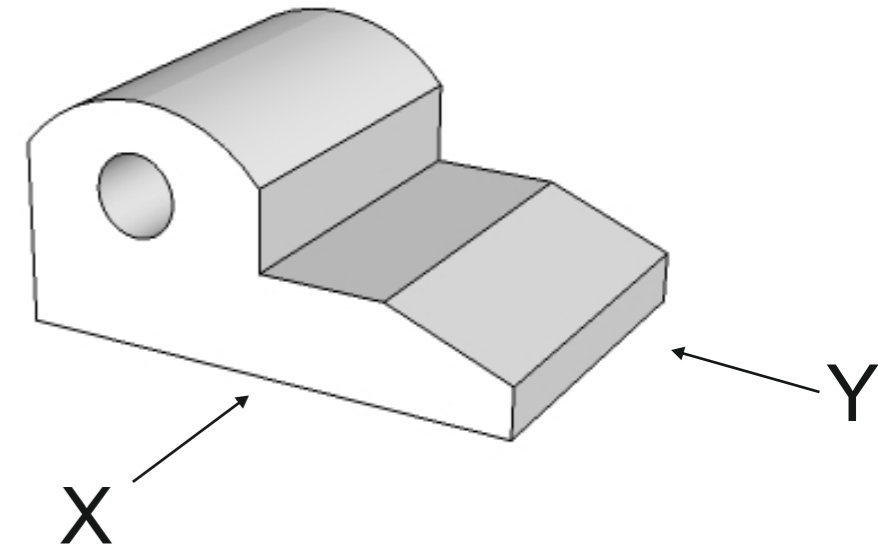
https://technologystudent.com/despro_3/oblique6.html

SCALE 2:1



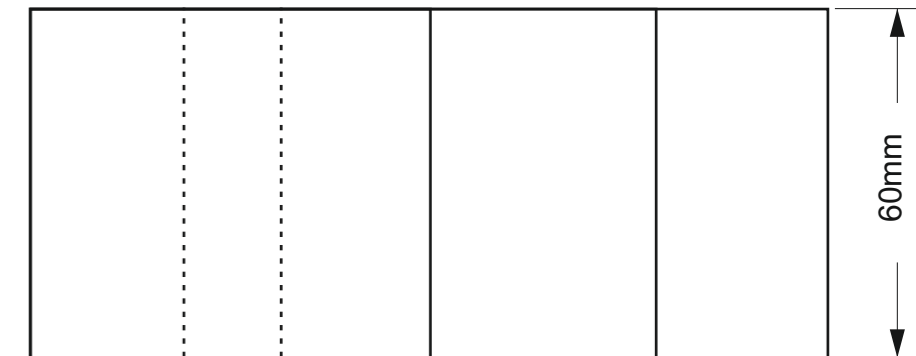
V.Ryan © 2023

3D DRAWING
(not to scale)

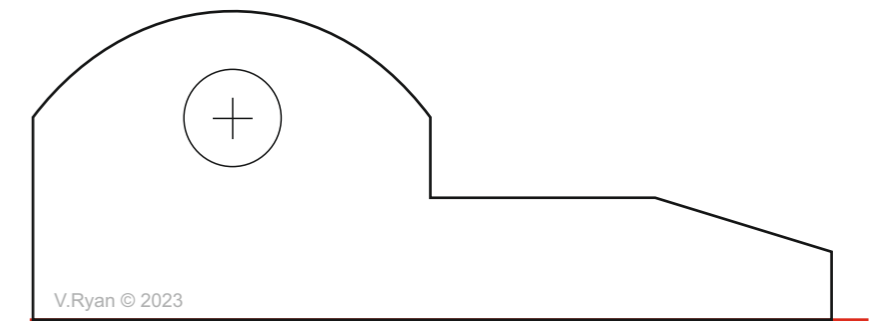


DIMENSIONS
(not to scale)

PLAN VIEW



60mm



V.Ryan © 2023

FRONT VIEW