

# THIRD ANGLE ORTHOGRAPHIC DRAWING

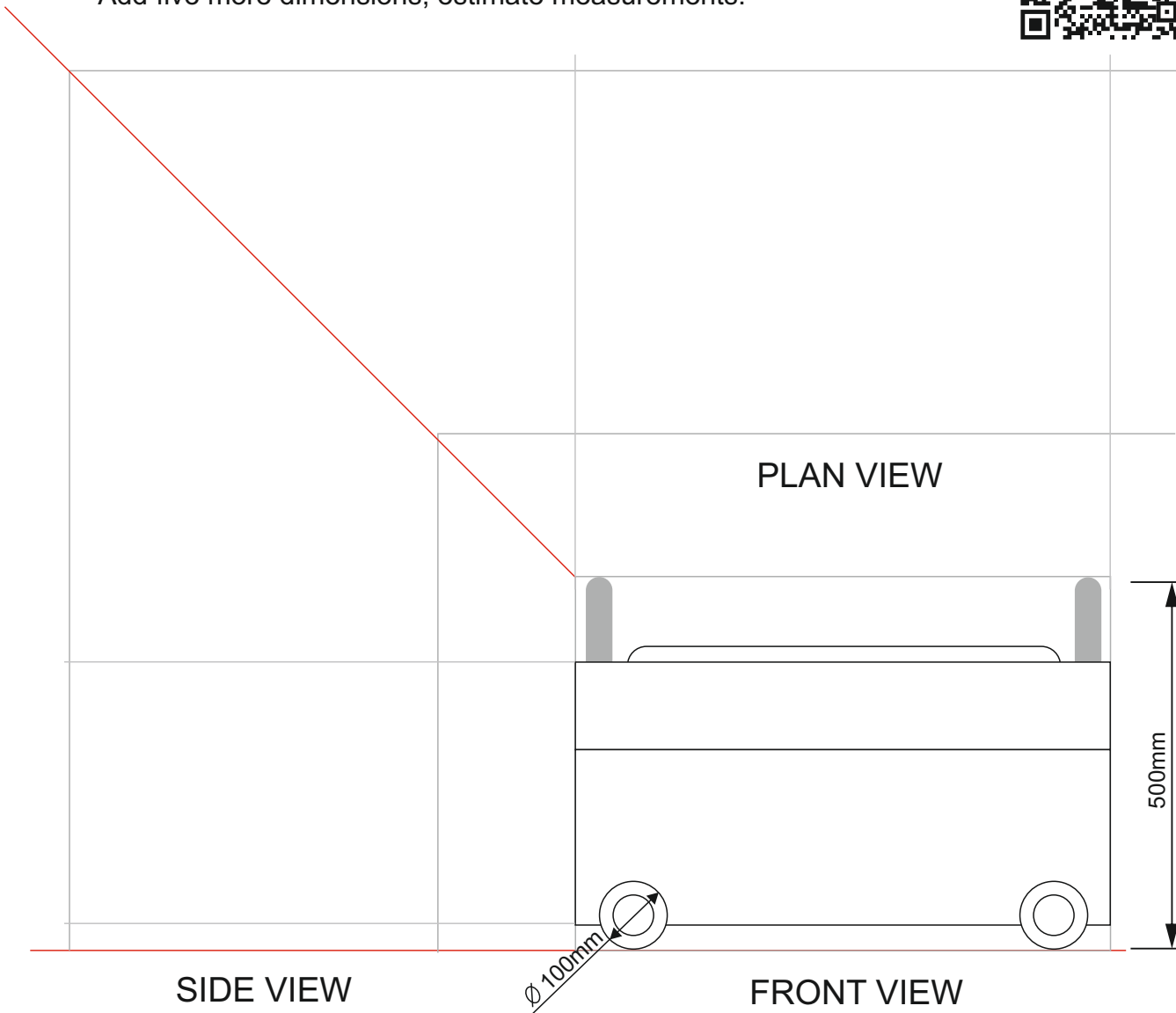
**HELPFUL LINKS:** [https://technologystudent.com/despro\\_f1sh/third10.html](https://technologystudent.com/despro_f1sh/third10.html)

HELPFUL LINK

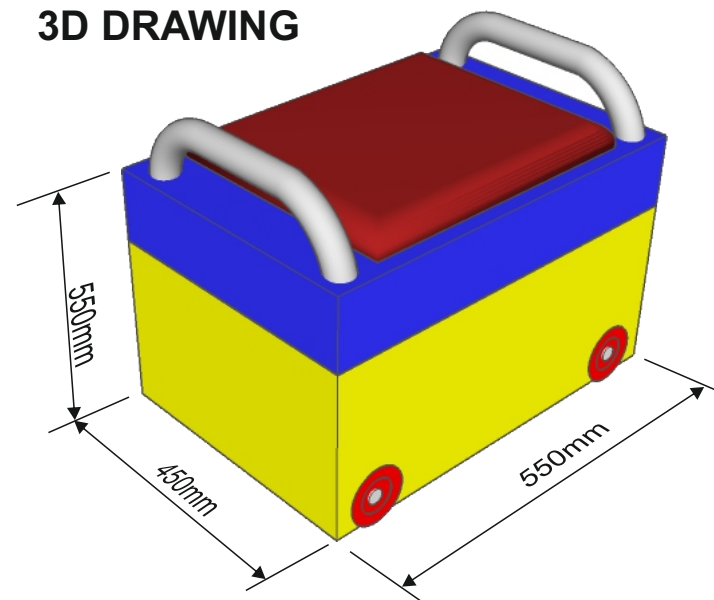


A 3D drawing of a storage unit is seen opposite.  
Draw the side and plan views, in third angle orthographic projection.

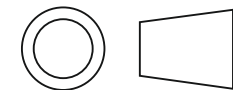
Add five more dimensions, estimate measurements.



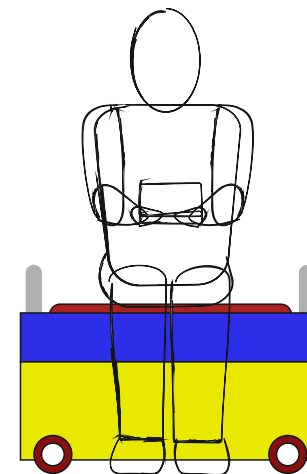
## 3D DRAWING



SCALE 1:4



THIRD ANGLE PROJECTION



**PLEASE ESTIMATE  
ALL MEASUREMENTS**