

THIRD ANGLE ORTHOGRAPHIC DRAWING

HELPFUL LINKS:

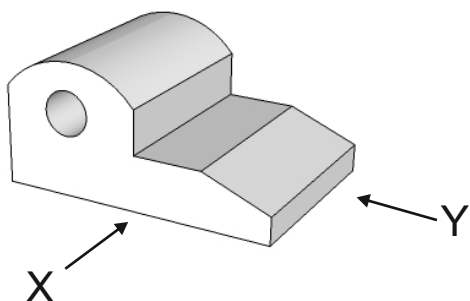
https://technologystudent.com/despro_f1sh/third6.html

HELPFUL LINK

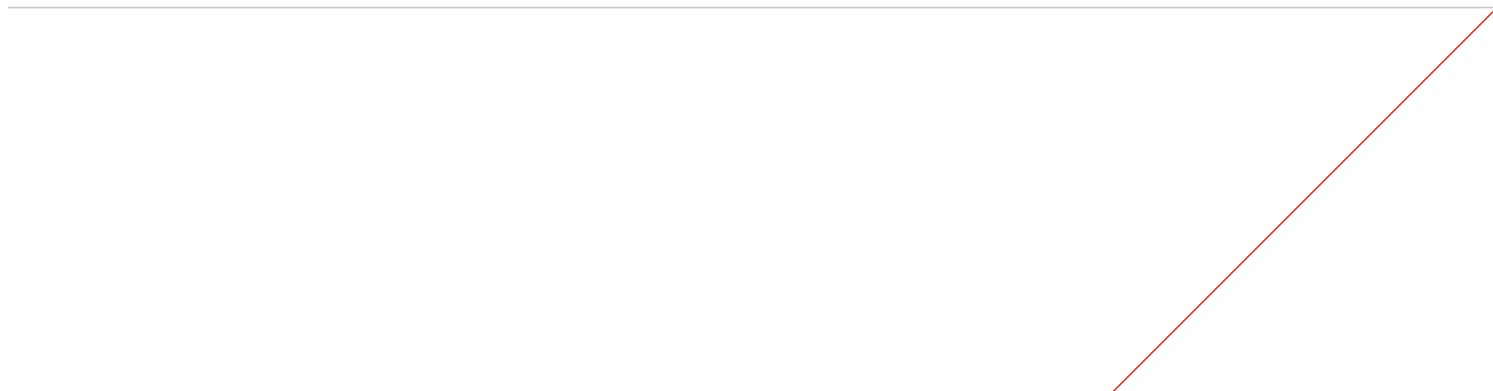


Complete the orthographic drawings of the 3D objects by adding the missing lines. Remember that hidden detail is represented by a dotted line. The arrow 'X' indicates the front view. Arrow 'Y' indicates the side view. Add six dimensions. (Use a ruler to measure from the completed views)

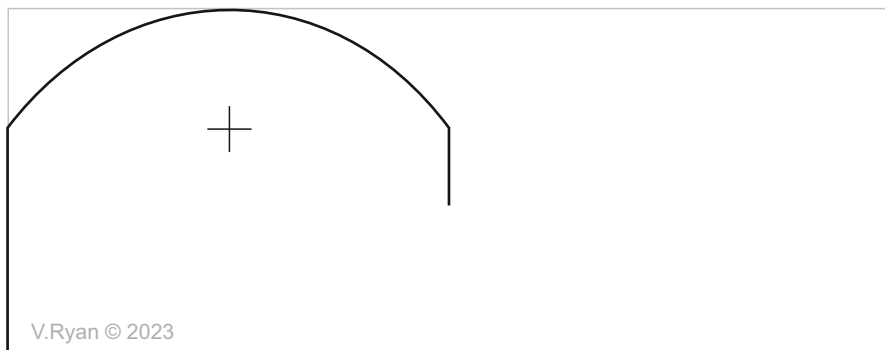
3D DRAWING



PLAN VIEW

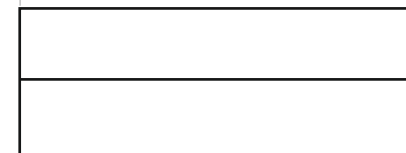


PLEASE ESTIMATE ALL MEASUREMENTS



V.Ryan © 2023

FRONT VIEW



SIDE VIEW