

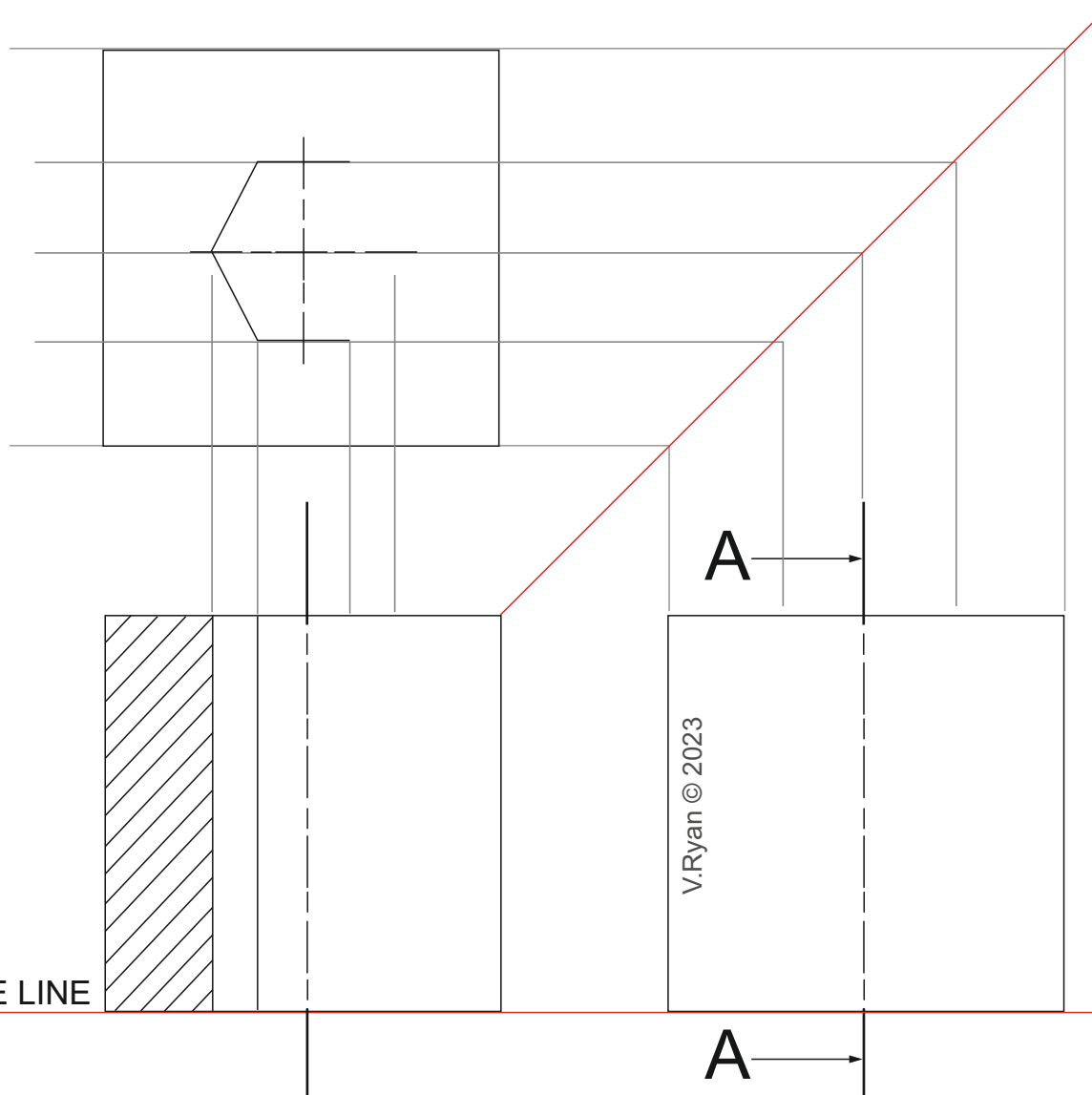
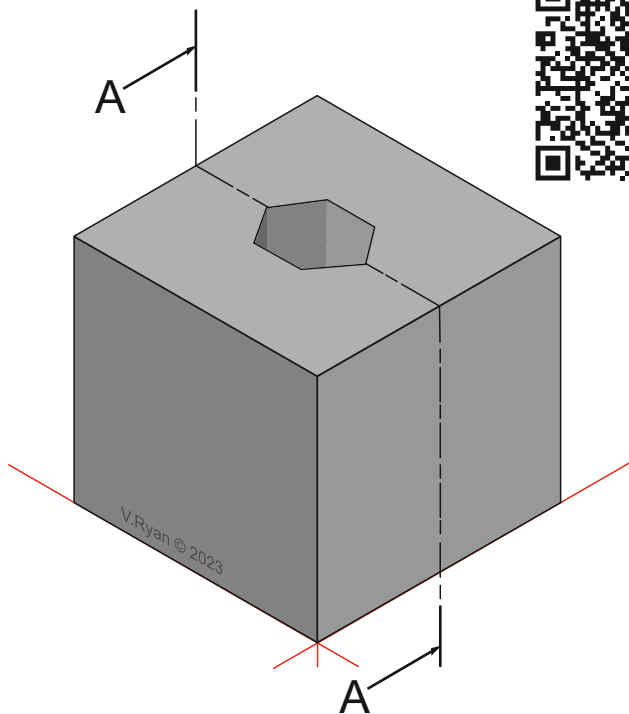
# THIRD ANGLE ORTHOGRAPHIC DRAWING

**HELPFUL LINK:** [https://technologystudent.com/despro\\_3/sectional2.html](https://technologystudent.com/despro_3/sectional2.html)

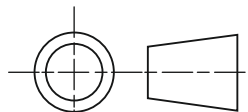
## ORTHOGRAPHIC SECTIONAL VIEW (THIRD ANGLE PROJECTION)

**COMPLETE THE THREE VIEWS OF THE  
SOLID OBJECT SHOWN BELOW,  
INCLUDING A SECTIONAL END VIEW ON  
'AA'.**

HELPFUL LINK



**PLEASE ESTIMATE ALL MEASUREMENTS**



THIRD ANGLE PROJECTION

SECTIONAL END VIEW ON 'AA'