

SECTIONAL VIEWS - THIRD ANGLE ORTHOGRAPHIC DRAWING

WORLD ASSOCIATION OF TECHNOLOGY TEACHERS

<https://www.facebook.com/groups/254963448192823/>

technologystudent.com © 2023

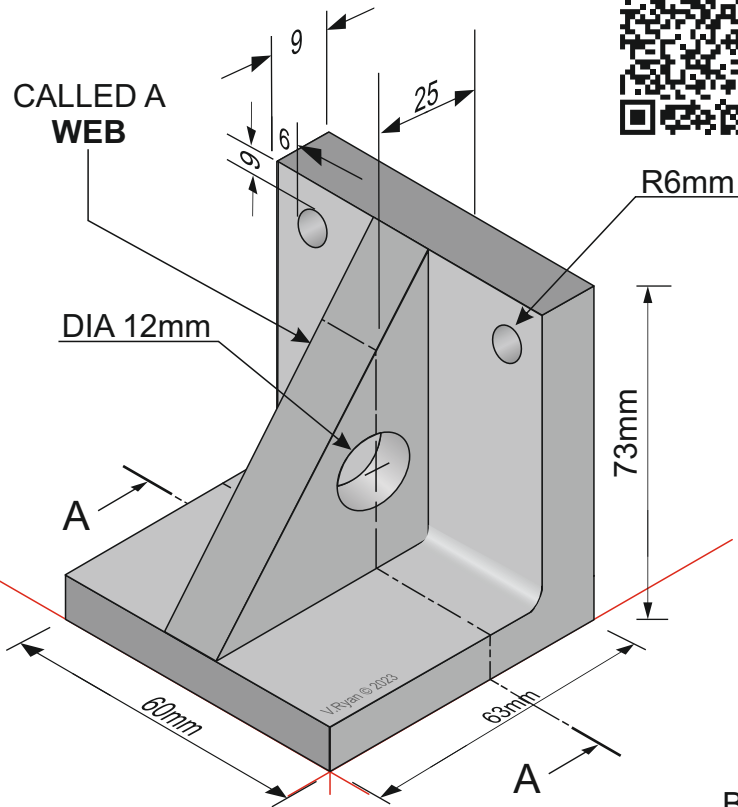
V.Ryan © 2023

HELPFUL LINK: https://technologystudent.com/despro_3/sectional5.html

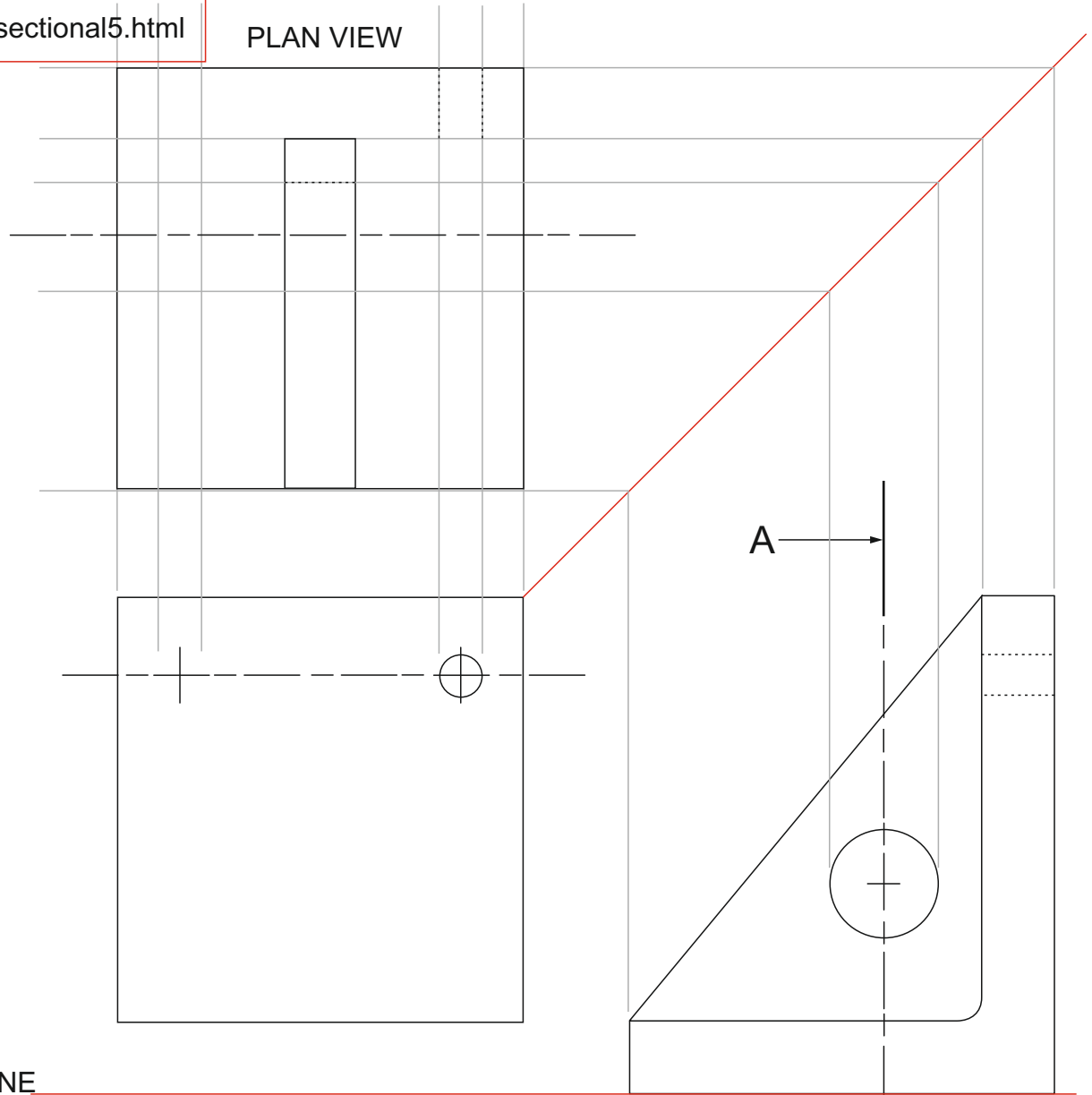
COMPLETE THE THREE VIEWS OF THE CAST ALUMINIUM BRACKET SHOWN BELOW. INCLUDING THE SECTIONAL FRONT VIEW.

ADD SIX DIMENSIONS

HELPFUL LINK



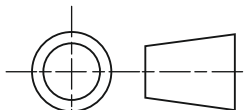
PLAN VIEW



BASE LINE

SECTIONAL FRONT ELEVATION ON 'AA'

SIDE VIEW



THIRD ANGLE PROJECTION