

# SECTIONAL VIEWS - THIRD ANGLE ORTHOGRAPHIC DRAWING

WORLD ASSOCIATION OF TECHNOLOGY TEACHERS

<https://www.facebook.com/groups/254963448192823/>

technologystudent.com © 2023

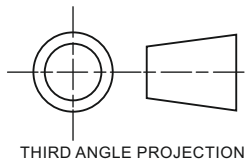
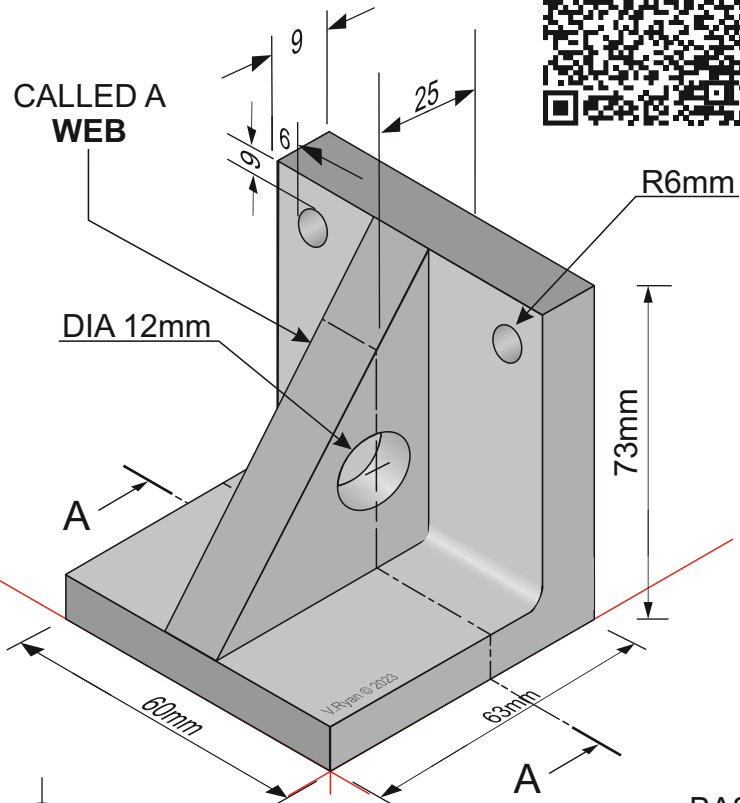
V.Ryan © 2023

**HELPFUL LINK:** [https://technologystudent.com/despro\\_3/sectional5.html](https://technologystudent.com/despro_3/sectional5.html)

**DRAW THE SECTIONAL FRONT VIEW, SIDE AND PLAN VIEWS OF THE CAST ALUMINIUM BRACKET. FOLLOW THE DIMENSIONS SHOWN BELOW. WHERE NECESSARY, ESTIMATE MEASUREMENTS.**

**ADD SIX DIMENSIONS TO YOUR COMPLETED ORTHOGRAPHIC DRAWING**

HELPFUL LINK



THIRD ANGLE PROJECTION

SECTIONAL FRONT ELEVATION ON 'AA'

SIDE VIEW