

THIRD ANGLE ORTHOGRAPHIC PROJECTION - CONTAINER 2

V.Ryan © 2000 - 2013

On behalf of The World Association of Technology Teachers

W.A.T.T.



World Association of Technology Teachers

This exercise can be printed and used by teachers and students. It is recommended that you view the website (www.technologystudent.com) before attempting the design sheet .

THESE MATERIALS CAN BE PRINTED AND USED BY TEACHERS AND STUDENTS.
THEY MUST NOT BE EDITED IN ANY WAY OR PLACED ON ANY OTHER MEDIA INCLUDING WEB SITES AND INTRANETS.
NOT FOR COMMERCIAL USE.
THIS WORK IS PROTECTED BY COPYRIGHT LAW.
IT IS ILLEGAL TO DISPLAY THIS WORK ON ANY WEBSITE/MEDIA STORAGE OTHER THAN www.technologystudent.com

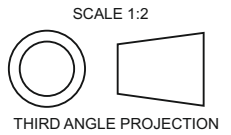
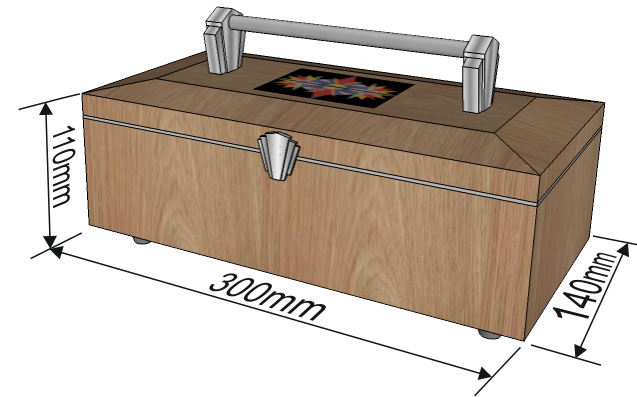
THIRD ANGLE ORTHOGRAPHIC PROJECTION

V.Ryan © 2013 World Association of Technology Teachers

A 3D drawing of an Art Deco container is seen below.

Draw the front, side and plan view, in third angle orthographic projection.

Add six dimensions, estimate measurements.



NAME:

ART DECO CONTAINER

DATE: