

STORAGE AND TRANSPORTATION OF SMALL ITEMS / ART DECO - PRODUCT ANALYSIS

V.Ryan © 2000 - 2013

On behalf of The World Association of Technology Teachers

W.A.T.T.



World Association of Technology Teachers

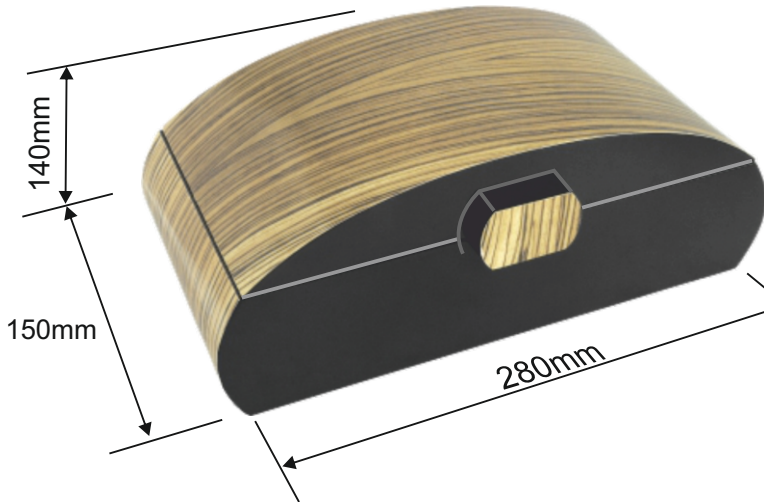
This exercise can be printed and used by teachers and students. It is recommended that you view the website (www.technologystudent.com) before attempting the design sheet .

THESE MATERIALS CAN BE PRINTED AND USED BY TEACHERS AND STUDENTS.
THEY MUST NOT BE EDITED IN ANY WAY OR PLACED ON ANY OTHER MEDIA INCLUDING WEB SITES AND INTRANETS.
NOT FOR COMMERCIAL USE.
THIS WORK IS PROTECTED BY COPYRIGHT LAW.
IT IS ILLEGAL TO DISPLAY THIS WORK ON ANY WEBSITE/MEDIA STORAGE OTHER THAN www.technologystudent.com

STORAGE AND TRANSPORTATION OF SMALL ITEMS / ART DECO - PRODUCT ANALYSIS

V.Ryan © 2013 World Association of Technology Teachers

Product analysis involves looking closely at existing products and identifying how they work, the materials they are made from, the industrial processes used to manufacture them and their key features. It may also involve the designer asking the general public or potential customers what they think of the product. The aim of product analysis is to help the designer develop even better designs and products in the future.



A small Art Deco container, is seen opposite. Study it carefully and then complete the analysis, under the subheadings:

Container - 280mm x 150mm x 140mm - Year 1932

MATERIALS: Name a suitable natural wood (or woods) and any other materials, that would be suitable for an Art Deco container such as the one seen above. Explain your selection.

STABILITY: Does the container look strong? Likely to last many years / decades? Explain your answer.

CONTENTS: What are the likely contents for such a container?

STYLE: Describe some of its Art Deco features. Do you think it is a stylish container? Explain your answer.
