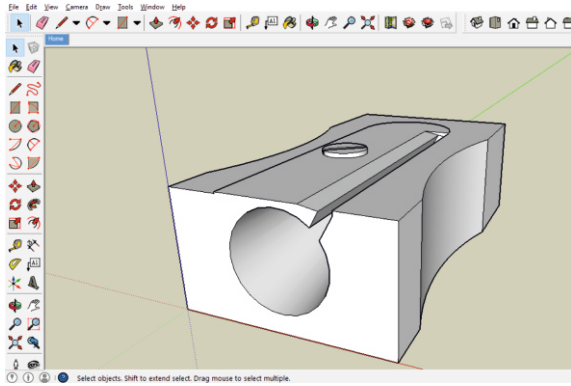


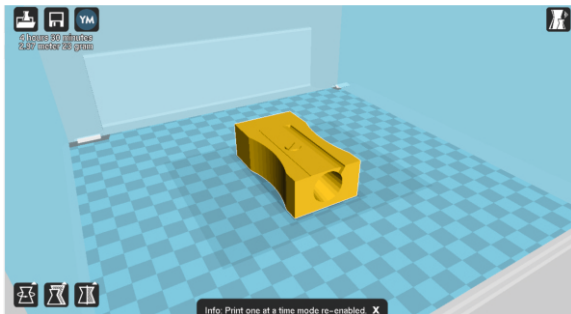
3D PRINTER

technologystudent.com © 2016

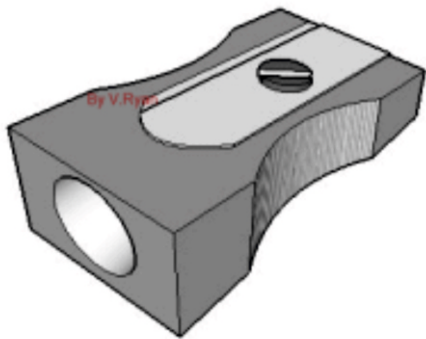
CAD - STL FILE



IMPORT TO 3D PRINTER



PROTOTYPE PRINTED



FOR MORE INFORMATION:
<http://www.technologystudent.com>

FILAMENT
GUIDE TUBE

PRINT HEAD
CABLE

FRONT VIEW

BUILD
PLATE
BUILD
PLATE
SCREWS

PRINT HEAD

DISPLAY
SD-CARD SLOT

MENU
SELECTOR

