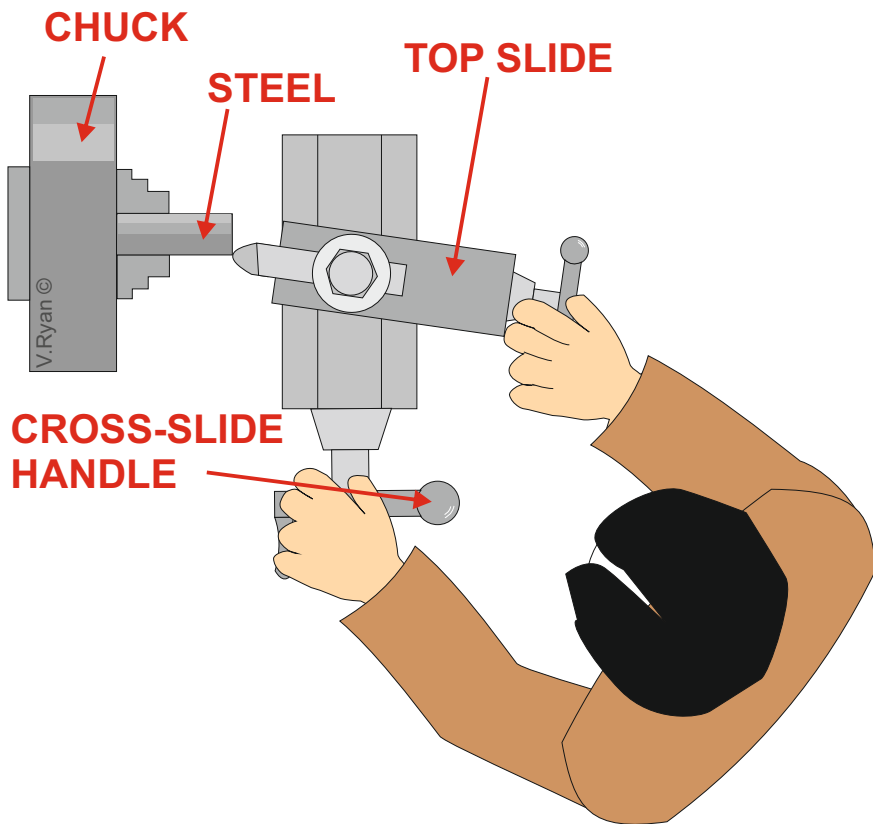


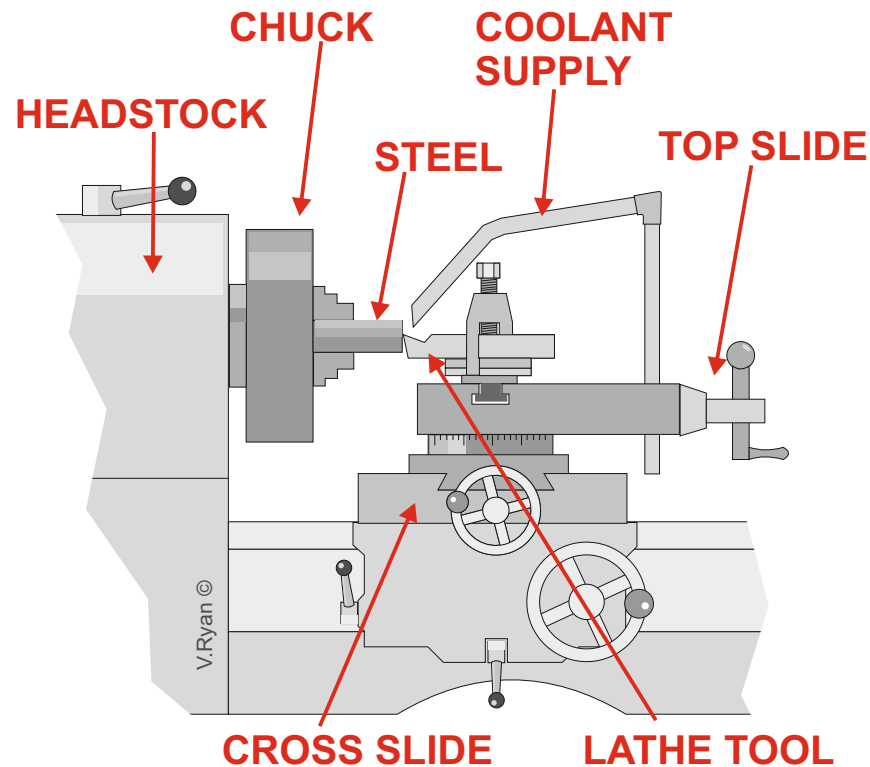
THE CENTRE LATHE

www.technologystudent.com ©

FACING OFF



MACHINING THE THREE JAW CHUCK



FOR MORE INFORMATION:
<http://www.technologystudent.com/equip1/equipex1.htm>

THREE JAW CHUCK



FOUR JAW CHUCK



INSIDE THE HEADSTOCK

