

SYSTEMS AND CONTROL QUESTIONS

WORLD ASSOCIATION OF TECHNOLOGY TEACHERS <https://www.facebook.com/groups/254963448192823/> www.technologystudent.com © 2017 V.Ryan © 2017

V.Ryan © 2000 - 2017

On behalf of The World Association of Technology Teachers

W.A.T.T.

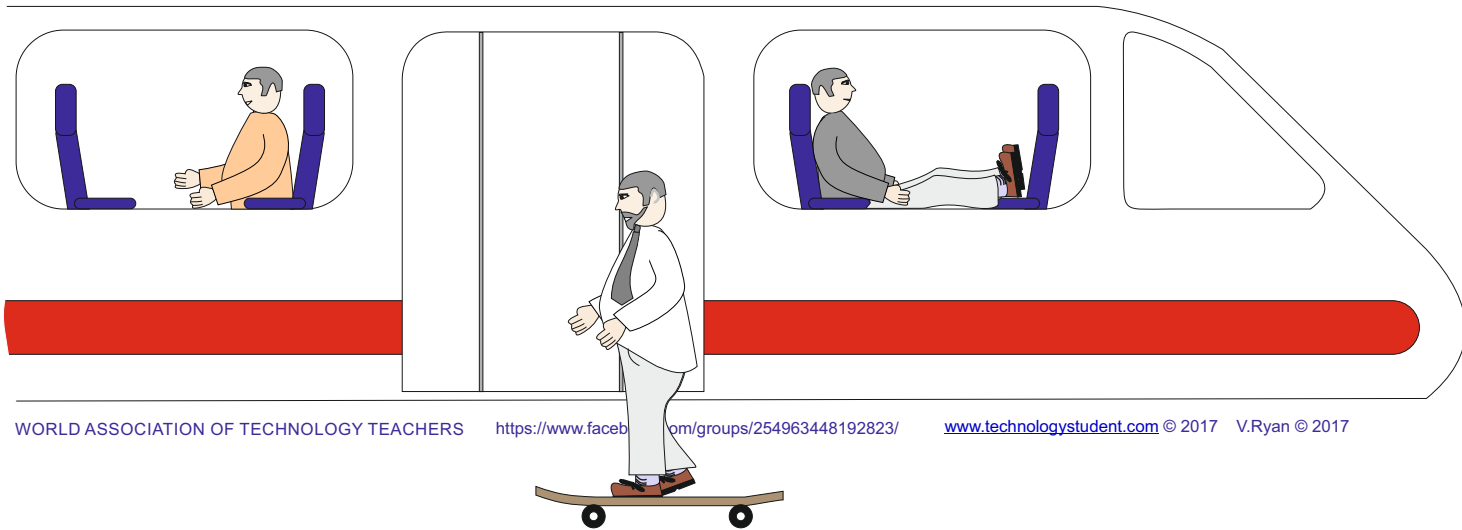


World Association of Technology Teachers

This exercise can be printed and used by teachers and students. It is recommended that you view the website (www.technologystudent.com) before attempting the design sheet .

THESE MATERIALS CAN BE PRINTED AND USED BY TEACHERS AND STUDENTS.
THEY MUST NOT BE EDITED IN ANY WAY OR PLACED ON ANY OTHER MEDIA INCLUDING WEB SITES AND INTRANETS.
NOT FOR COMMERCIAL USE.
THIS WORK IS PROTECTED BY COPYRIGHT LAW.
IT IS ILLEGAL TO DISPLAY THIS WORK ON ANY WEBSITE/MEDIA STORAGE OTHER THAN www.technologystudent.com

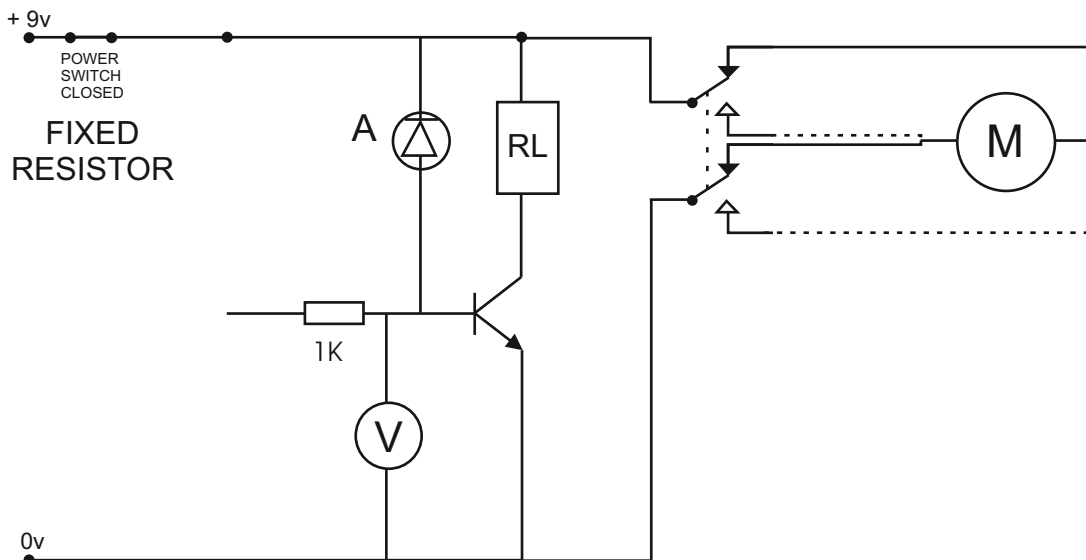
SYSTEMS AND CONTROL QUESTIONS



The drawing shows one of the passenger doors to a train. The passenger doors will only open when the train is stationary at the platform. A sensor circuit controls the opening and closing of doors which open automatically when a passenger approaches.

1. Name a suitable sensor for this procedure.

2. The incomplete circuit for the operation of the doors is seen below. Complete the circuit by adding the components required to represent your sensor.



3. Describe on safety feature the door control system should have.
