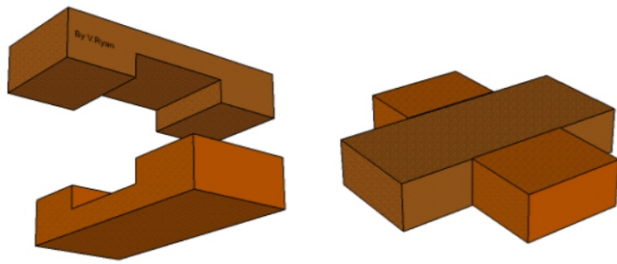


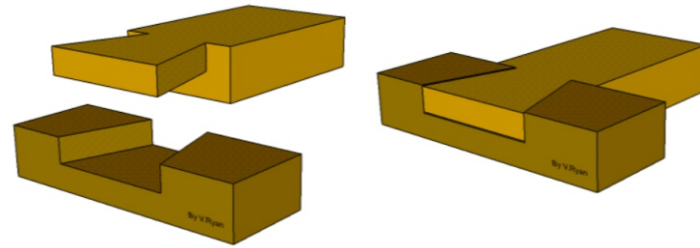
# COMMON WOODWORKING JOINTS

FOR DETAILED INFORMATION AND EXERCISES ON JOINT WORK - GO TO THE RESISTANT MATERIALS SECTION OF [www.technologystudent.com](http://www.technologystudent.com)

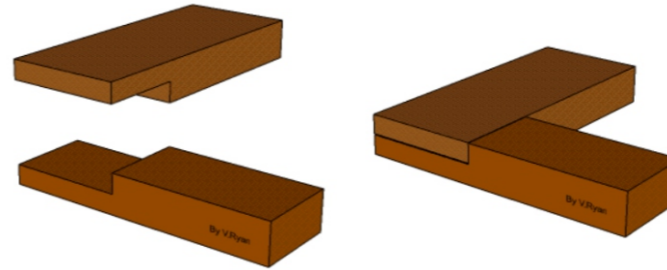
## CROSS HALVING



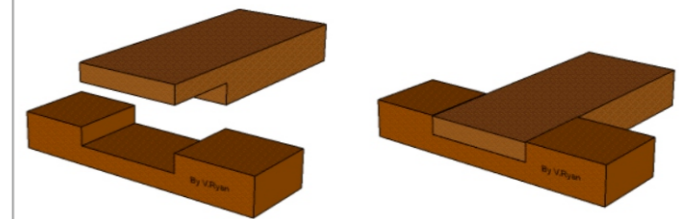
## DOVETAIL HALVING



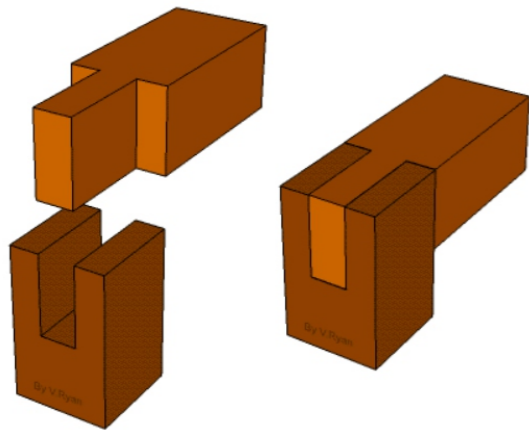
## HALF LAP



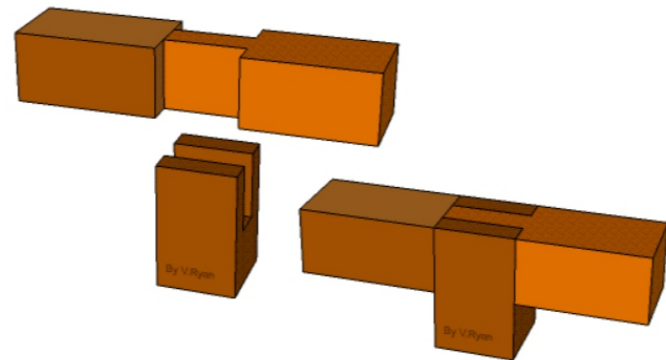
## TEE HALVING



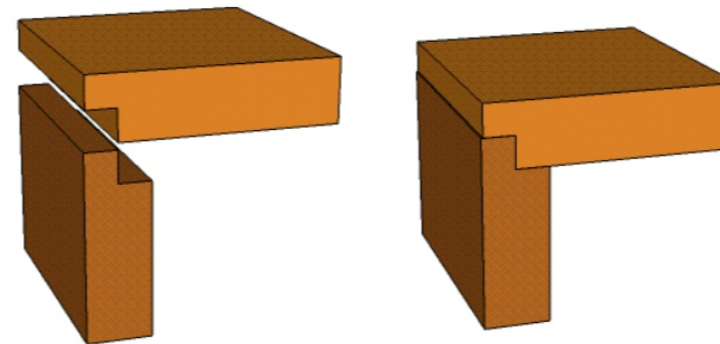
## ANGLED BRIDLE



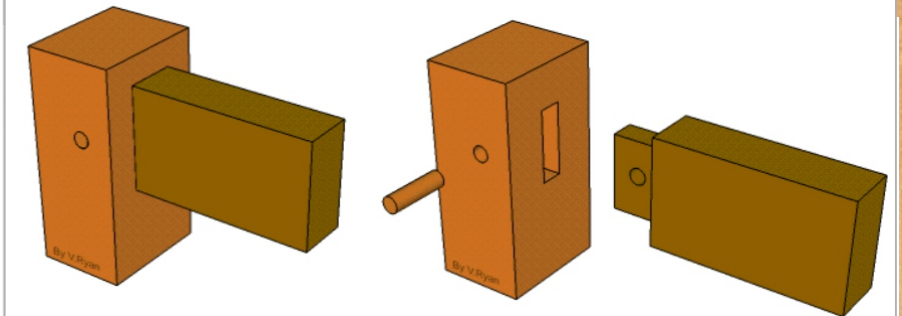
## PLAIN BRIDLE



## SHOULDER / REBATE / LAPPED

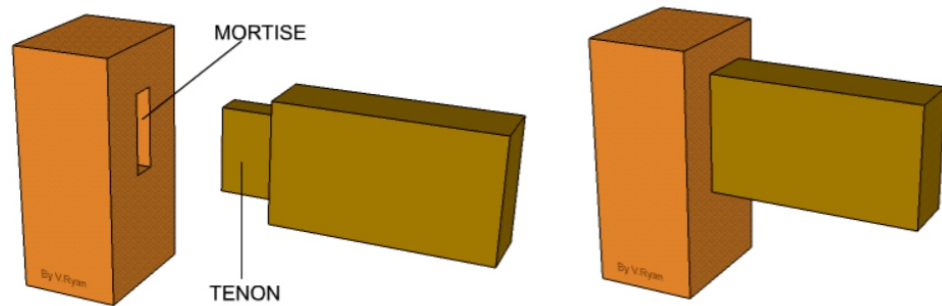


## DOWELLED MORTISE AND TENON

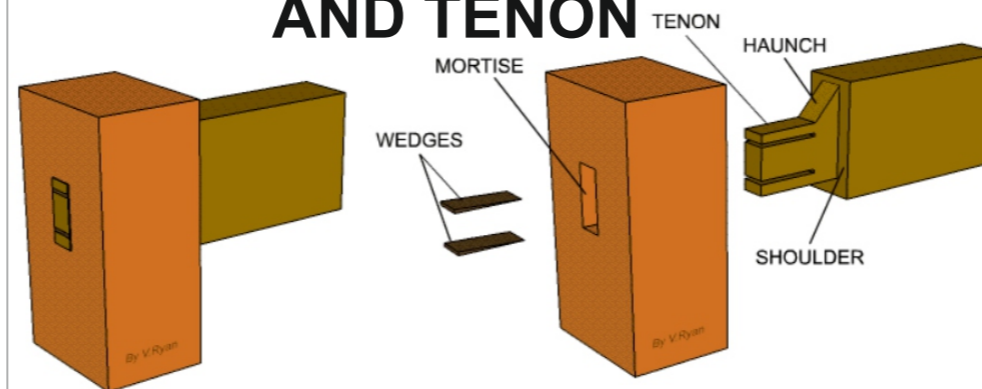


WORLD ASSOCIATION OF TECHNOLOGY TEACHERS <https://www.facebook.com/groups/254963448192823/> www.technologystudent.com © 2017 V.Ryan © 2017

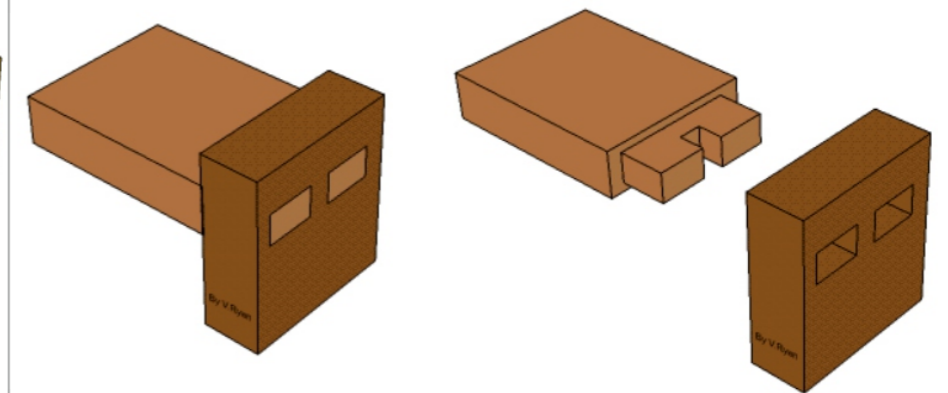
## PLAIN MORTISE AND TENON



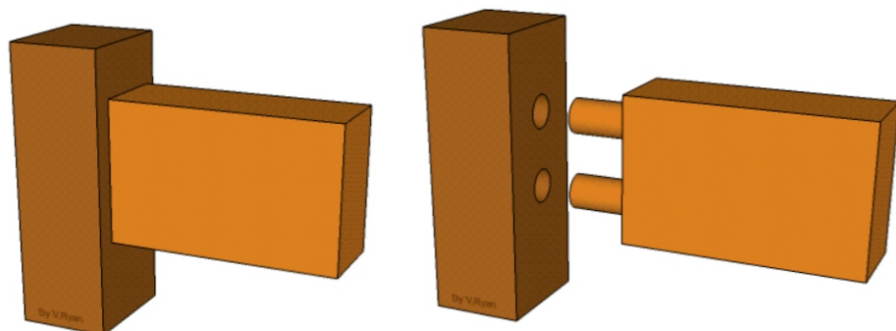
## WEDGED MORTISE AND TENON



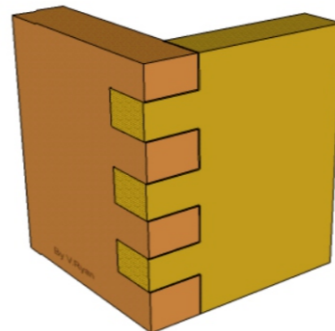
## TWIN MORTISE AND TENON



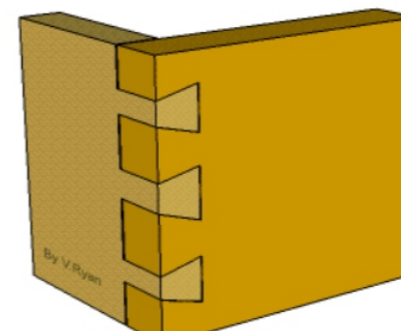
## DOUBLE DOWELLED



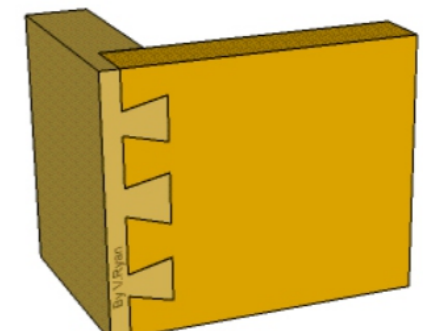
## FINGER / COMB



## THROUGH DOVETAIL



## LAPPED DOVETAIL



WORLD ASSOCIATION OF TECHNOLOGY TEACHERS <https://www.facebook.com/groups/254963448192823/> www.technologystudent.com © 2017 V.Ryan © 2017