

INTRODUCTION TO FORGEWORK - PART TWO

WORLD ASSOCIATION OF TECHNOLOGY TEACHERS

<https://www.facebook.com/groups/254963448192823/>

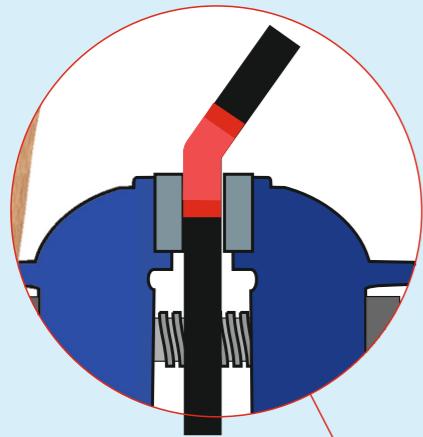
www.technologystudent.com © 2020

V.Ryan © 2020

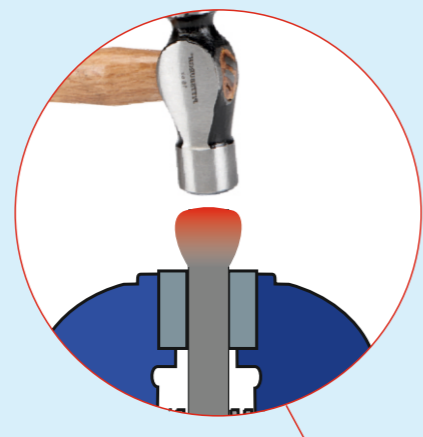
LEG VICE

BENDING METAL

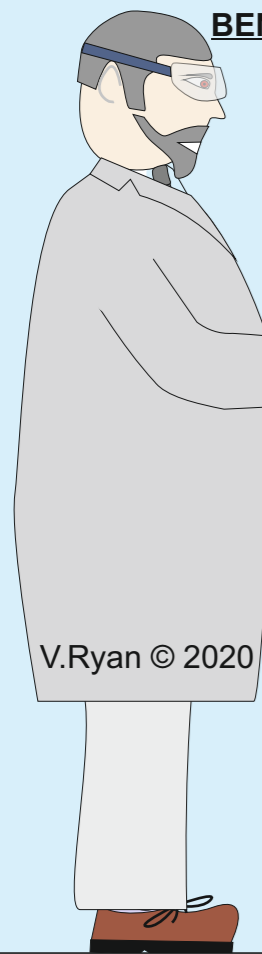
UPSETTING / JUMPING UP



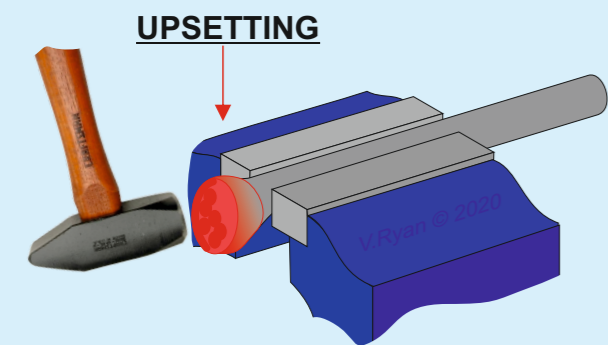
BENDING



UPSETTING



V.Ryan © 2020



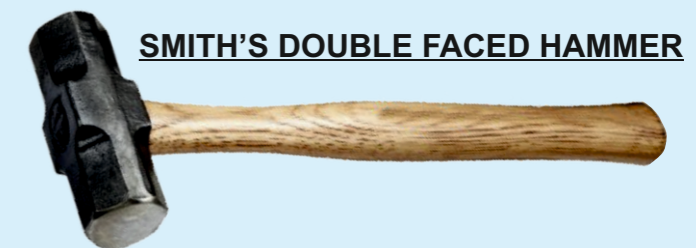
UPSETTING



SMITH'S HAMMER

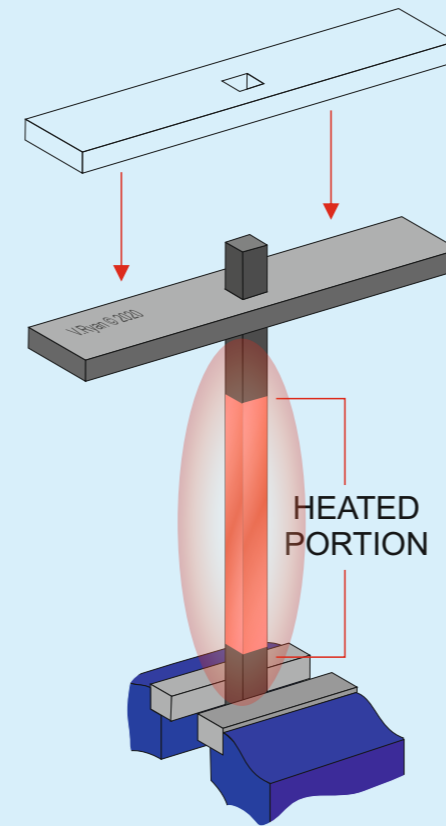


BALL PEIN

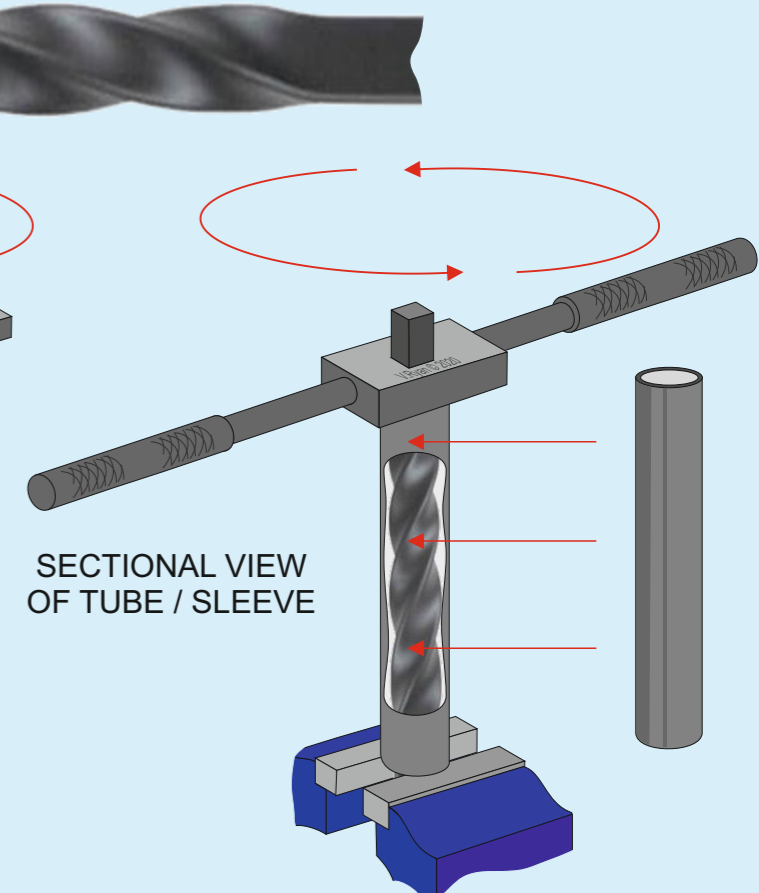
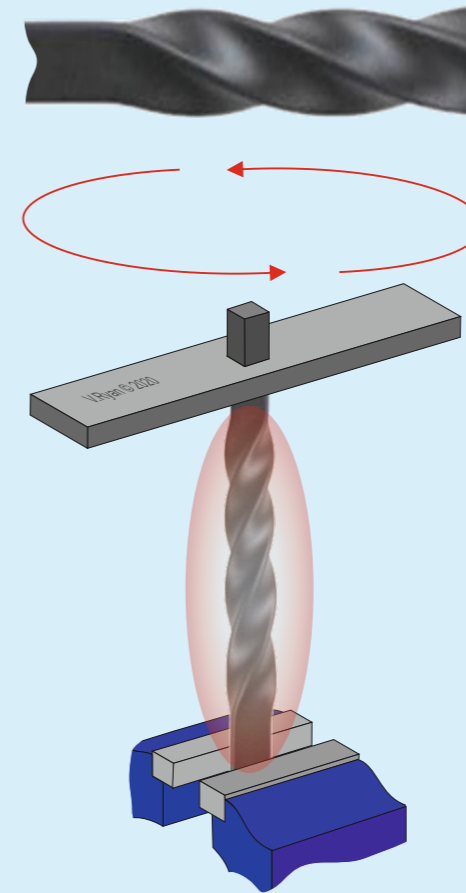


SMITH'S DOUBLE FACED HAMMER

TWISTING

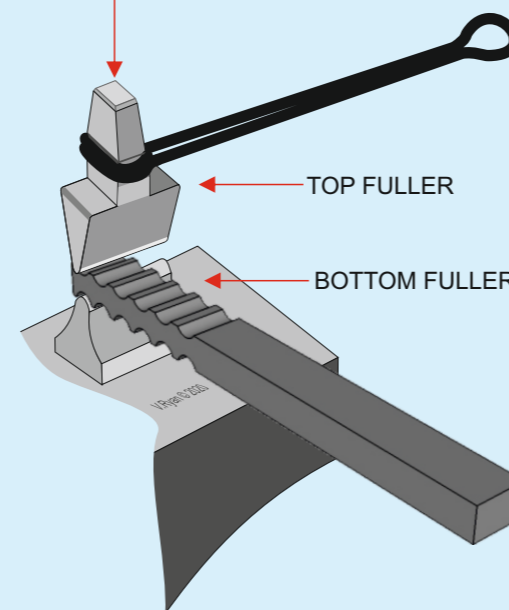


HEATED PORTION



SECTIONAL VIEW OF TUBE / SLEEVE

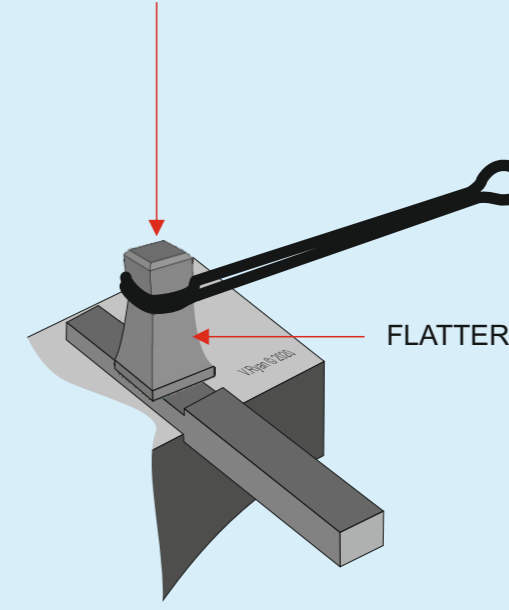
FULLERING



TOP FULLER

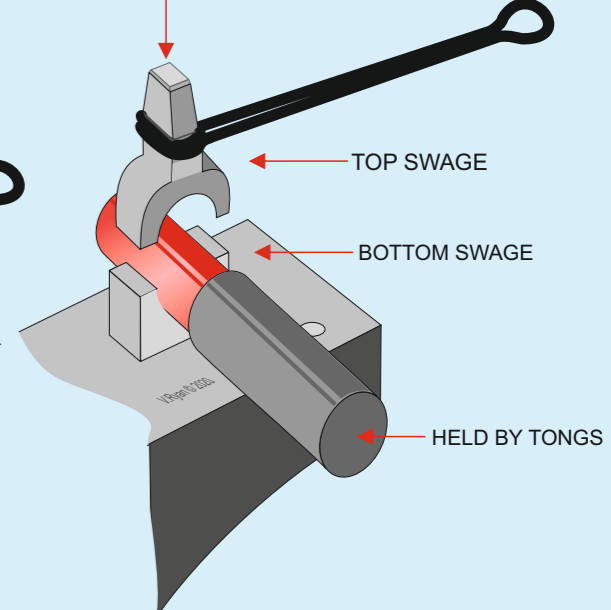
BOTTOM FULLER

FLATTING



FLATTER

SWAGES



TOP SWAGE

BOTTOM SWAGE

HELD BY TONGS