

### MODEL / PROTOTYPE MANUFACTURE

TO ANSWER ALL THE QUESTIONS YOU WILL NEED TO DOWNLOAD THE 'MODEL / PROTOTYPE MANUFACTURE' APP, FROM THE INTERACTIVE MOBILE APP SECTION OF [www.technologystudent.com](http://www.technologystudent.com)

LINK

[http://www.technologystudent.com/mobapps/Model\\_making1.pdf](http://www.technologystudent.com/mobapps/Model_making1.pdf)

Once you have downloaded the App, you can use it to navigate the website. You may need to follow the links on each page of the App, to research / complete answers to all the questions.

**ARE YOU READY?  
USE THE MOBILE App!!**

### 1 WHY IS IT IMPORTANT TO MANUFACTURE MODELS AND PROTOTYPES?

---

---

---

---

---

---

---

---

### 2 WHAT ARE THE BENEFITS OF COMPUTER MODELLING?

---

---

---

---

---

---

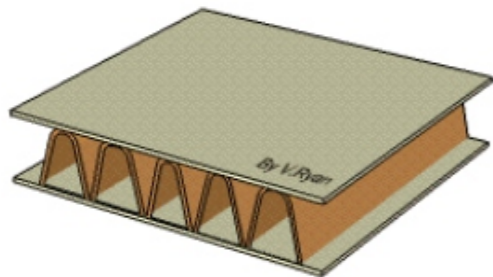
---

---

### 3 NAME THE MODELLING MATERIAL SHOWN BELOW WHAT ARE THE ADVANTAGES OF USING THIS MATERIAL?

MATERIAL NAME:

BENEFITS



### 4 NAME TWO MORE POPULAR MODEL MAKING MATERIALS. ADD A DESCRIPTION / DESCRIBE THEIR USE. (Use the next box as well)

MATERIAL:

---

---

---

---

---

---

---

---

MATERIAL:

---

---

---

---

---

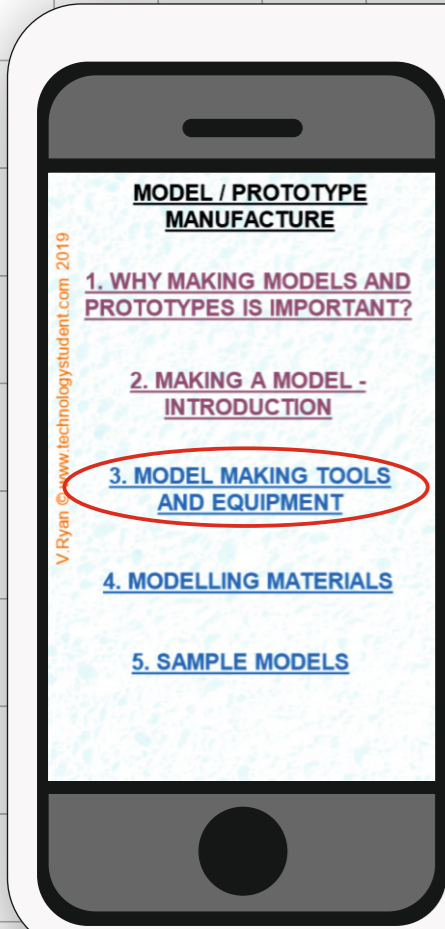
---

---

---



HELPFUL LINK: [http://www.technologystudent.com/mobapps/Model\\_making1.pdf](http://www.technologystudent.com/mobapps/Model_making1.pdf)



### MODEL / PROTOTYPE MANUFACTURE

TO ANSWER ALL THE QUESTIONS YOU WILL NEED TO DOWNLOAD THE 'MODEL / PROTOTYPE MANUFACTURE' APP, FROM THE INTERACTIVE MOBILE APP SECTION OF [www.technologystudent.com](http://www.technologystudent.com)

**LINK**

[http://www.technologystudent.com/mobapps/Model\\_making1.pdf](http://www.technologystudent.com/mobapps/Model_making1.pdf)

Once you have downloaded the App, you can use it to navigate the website. You may need to follow the links on each page of the App, to research / complete answers to all the questions.

**ARE YOU READY?  
USE THE MOBILE App!!**

**1** DESCRIBE THE SAFE USE OF A CRAFT KNIFE, DURING MODEL MAKING  
(Support your answer with a labelled sketch)

---

---

---

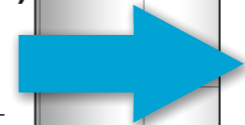
---

---

---

---

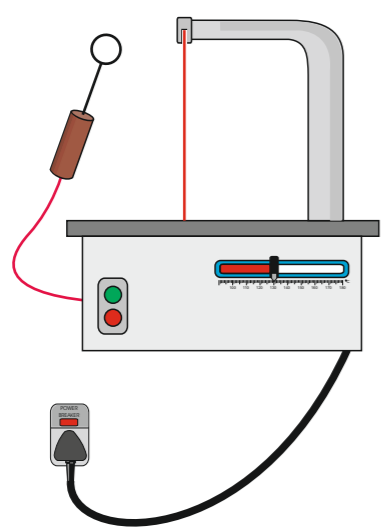
---



**SKETCH**

**2** NAME THE MODELLING EQUIPMENT SHOWN BELOW AND EXPLAIN HOW IT CAN BE USED.

EQUIPMENT NAME: \_\_\_\_\_ PRACTICAL USE \_\_\_\_\_




---

---

---

---

---

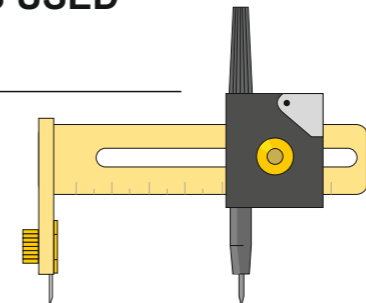
---

---

---

**3** NAME THIS TOOL AND EXPLAIN HOW IT IS USED

NAME: \_\_\_\_\_




---

---

---

---

---

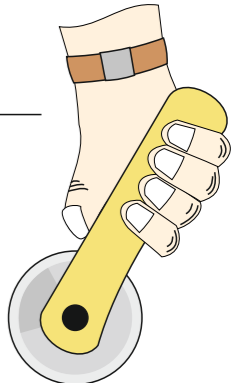
---

---

---

**4** NAME THIS TOOL AND EXPLAIN HOW IT IS USED

NAME: \_\_\_\_\_




---

---

---

---

---

---

---

---

HELPFUL LINK: [http://www.technologystudent.com/mobapps/Model\\_making1.pdf](http://www.technologystudent.com/mobapps/Model_making1.pdf)