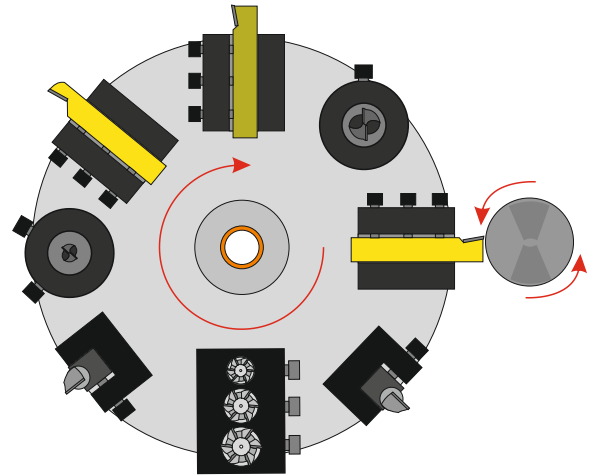


EXAMINATION QUESTIONS - CNC CENTRES

USEFUL LINK: <https://technologystudent.com/cam/cnccentre3.html>

1. Name and describe this tooling system, used with CNC Centres **4 marks**

NAME:



2. What is an extended tool post, as used for Gang Tooling? Include a description and a sketch. **6 marks**

3. What is meant by the engineering term 'Live Tooling'? Make reference to the image opposite. **3 marks**

