

TWO POINT PERSPECTIVE

TO ANSWER ALL THE QUESTIONS, YOU WILL NEED TO DOWNLOAD THE 'TWO POINT PERSPECTIVE DRAWING' APP, FROM THE INTERACTIVE MOBILE APP SECTION OF www.technologystudent.com

LINK

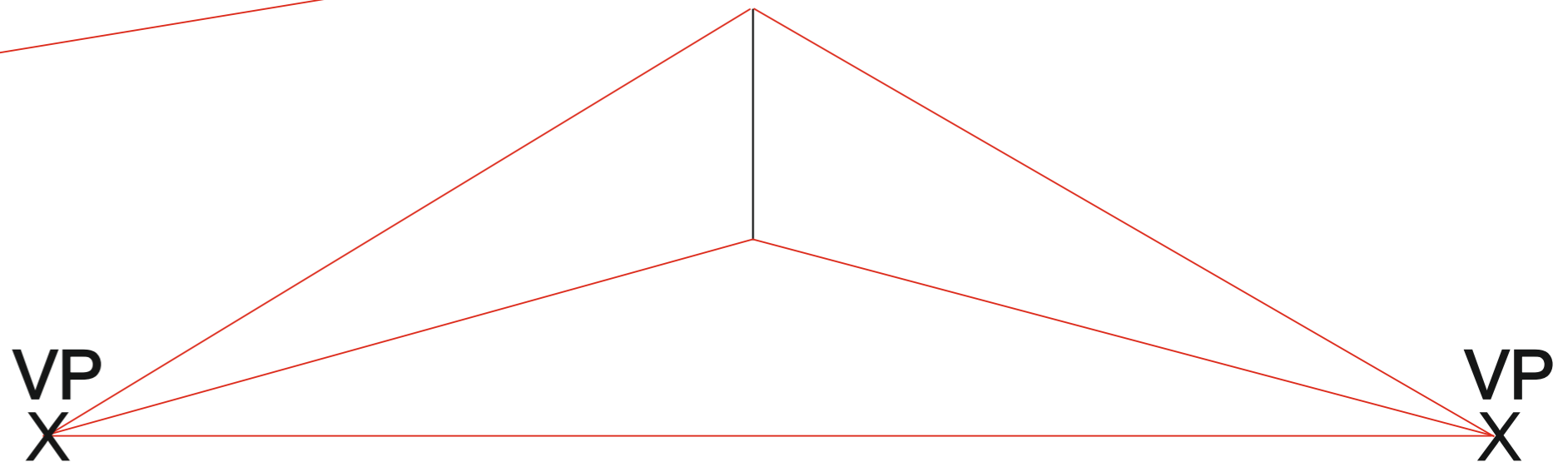
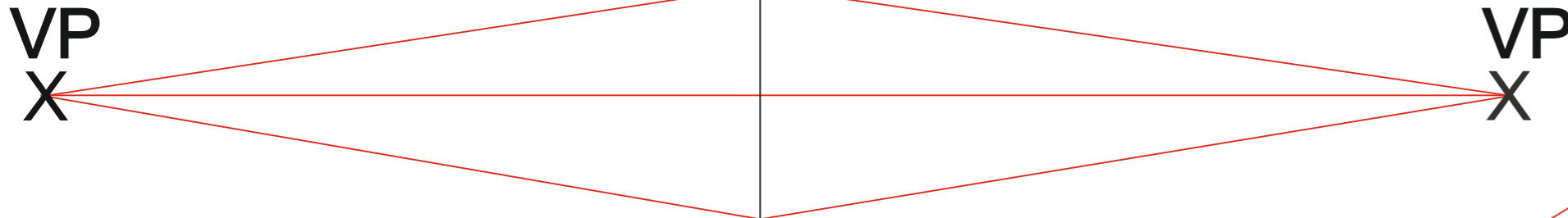
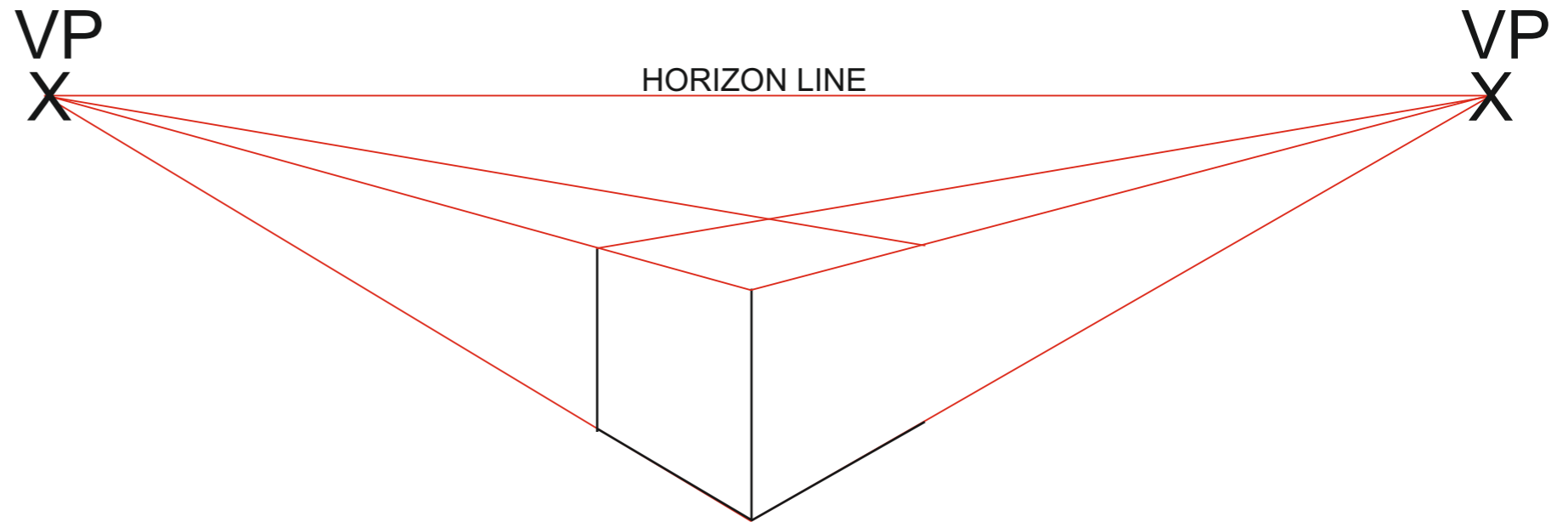
http://www.technologystudent.com/mobapps/perspective_drawing2.pdf

Once you have downloaded the App, you can use it to navigate the website. You may need to follow the links on each page of the App, to research / complete answers to all the questions.

**ARE YOU READY?
USE THE MOBILE App!!**

1

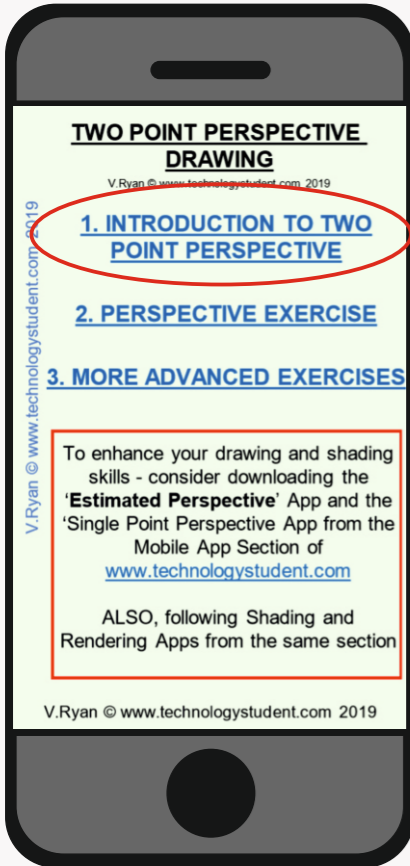
Complete each perspective drawing. The horizon line for each drawing, is in different positions. This means that the cubes can be viewed from above, centrally and from below.



2

When is it an advantage, to draw in Two Point Perspective, compared to Single Point Perspective?

HELPFUL LINK: http://www.technologystudent.com/mobapps/perspective_drawing2.pdf



TWO POINT PERSPECTIVE

TO ANSWER ALL THE QUESTIONS, YOU WILL NEED TO DOWNLOAD THE 'TWO POINT PERSPECTIVE DRAWING' APP, FROM THE INTERACTIVE MOBILE APP SECTION OF www.technologystudent.com

LINK

http://www.technologystudent.com/mobapps/perspective_drawing2.pdf

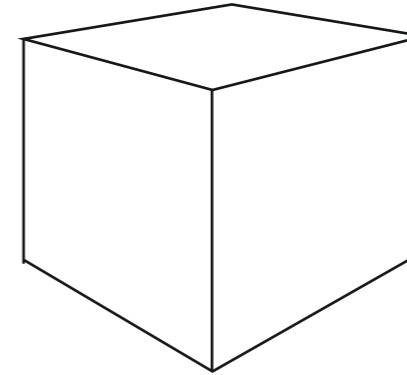
Once you have downloaded the App, you can use it to navigate the website. You may need to follow the links on each page of the App, to research / complete answers to all the questions.

**ARE YOU READY?
USE THE MOBILE App!!**

1

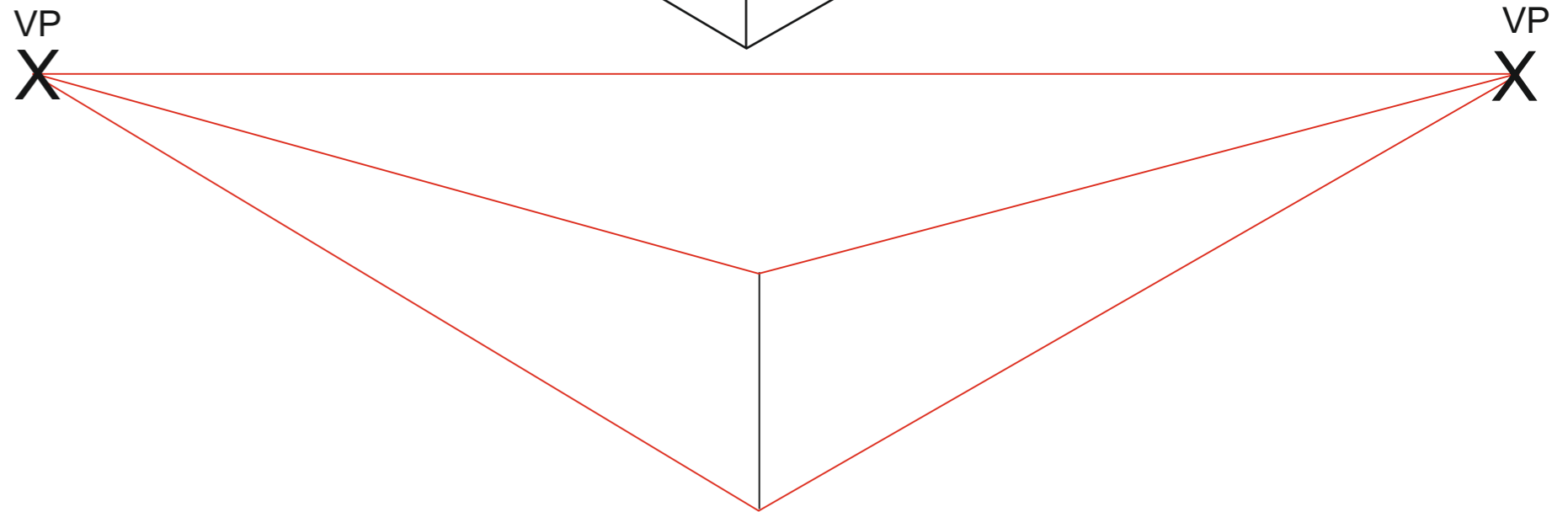
Finish the two perspective drawings below by adding the missing lines.

Add shade/ colour to enhance the 3D effect.



VP
X

VP
X

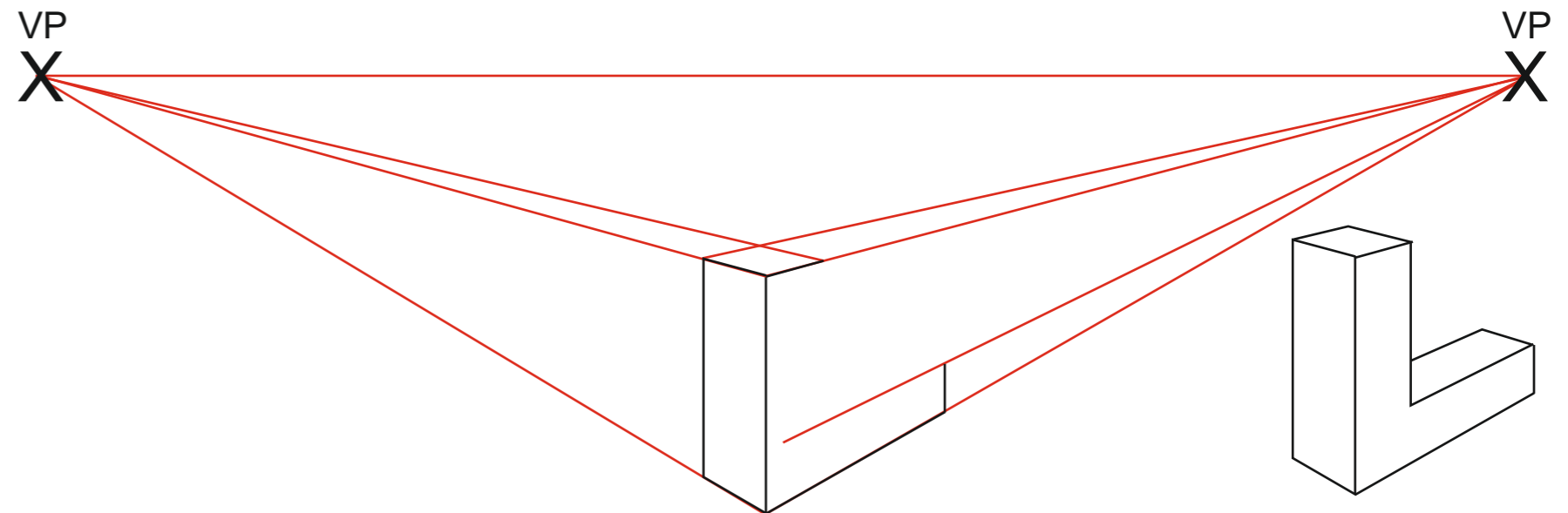


2

Search the internet, for an example of a product, drawn in Two Point Perspective. Paste an example below.

VP
X

VP
X



HELPFUL LINK: http://www.technologystudent.com/mobapps/perspective_drawing2.pdf

PERSPECTIVE EXERCISE

TO ANSWER ALL THE QUESTIONS, YOU WILL NEED TO DOWNLOAD THE 'TWO POINT PERSPECTIVE DRAWING' APP, FROM THE INTERACTIVE MOBILE APP SECTION OF www.technologystudent.com

LINK

http://www.technologystudent.com/mobapps/perspective_drawing2.pdf

Once you have downloaded the App, you can use it to navigate the website. You may need to follow the links on each page of the App, to research / complete answers to all the questions.

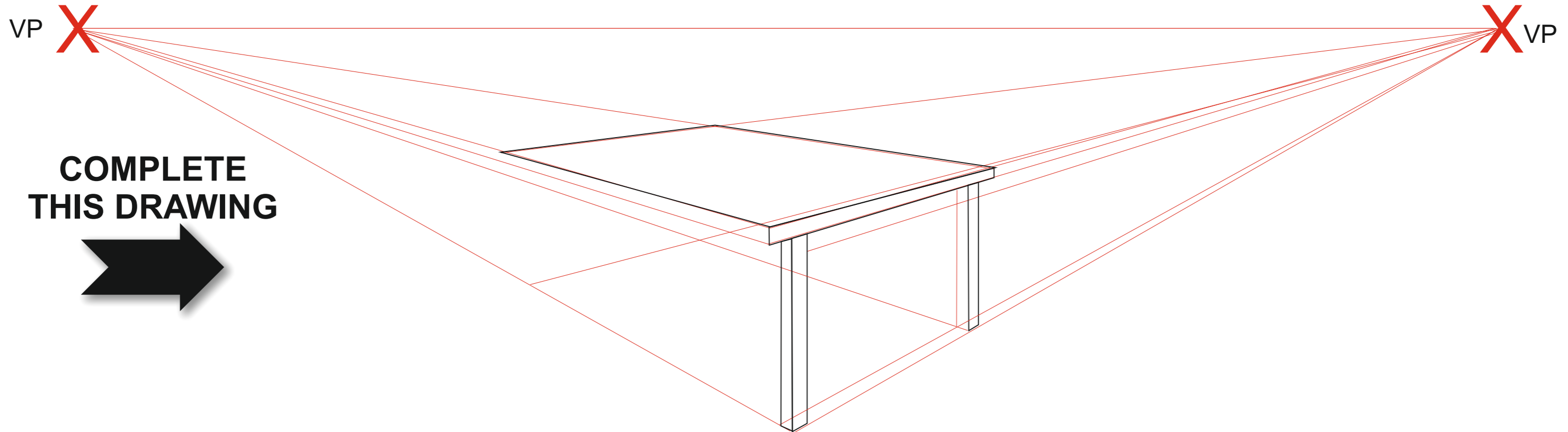
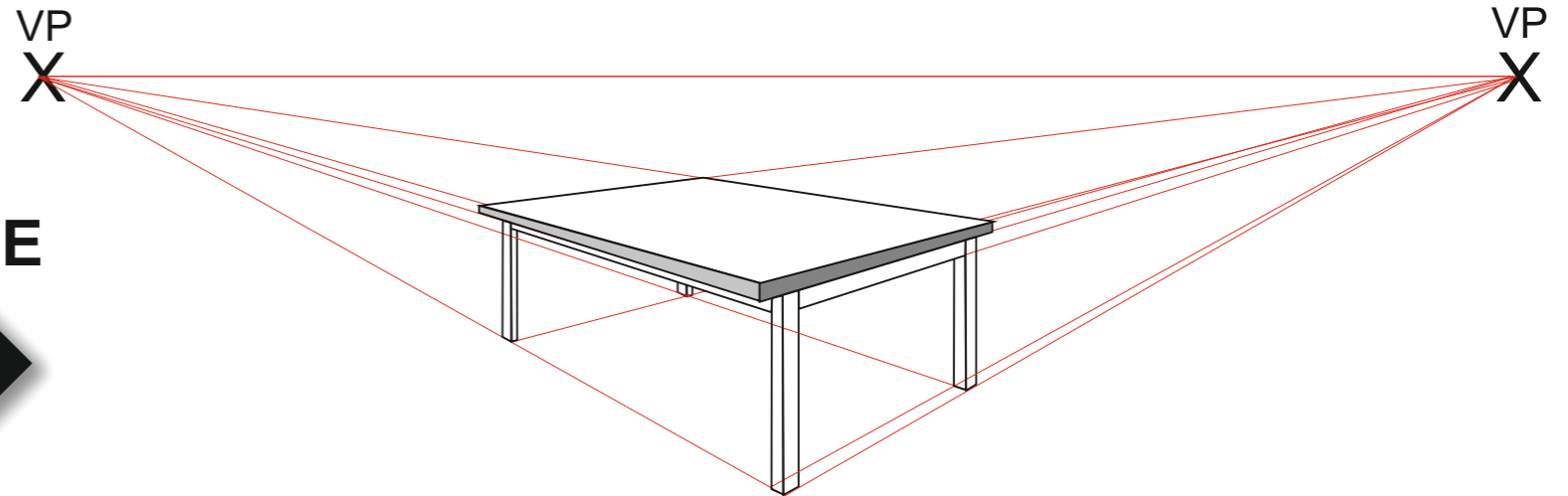
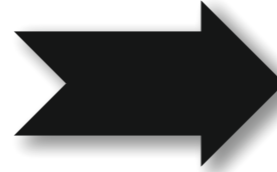
**ARE YOU READY?
USE THE MOBILE App!!**

1

1. Complete the drawing of the table shown below.
2. Add shade / colour to the surfaces. The colour / shade should reflect the material, which is light brown mahogany (natural wood).

EXTENSION WORK: Add stools / chairs, with appropriate colour / shade.

EXAMPLE



HELPFUL LINK: http://www.technologystudent.com/mobapps/perspective_drawing2.pdf

MORE ADVANCED EXERCISES

TO ANSWER ALL THE QUESTIONS, YOU WILL NEED TO DOWNLOAD THE 'TWO POINT PERSPECTIVE DRAWING' APP, FROM THE INTERACTIVE MOBILE APP SECTION OF www.technologystudent.com

LINK

http://www.technologystudent.com/mobapps/perspective_drawing2.pdf

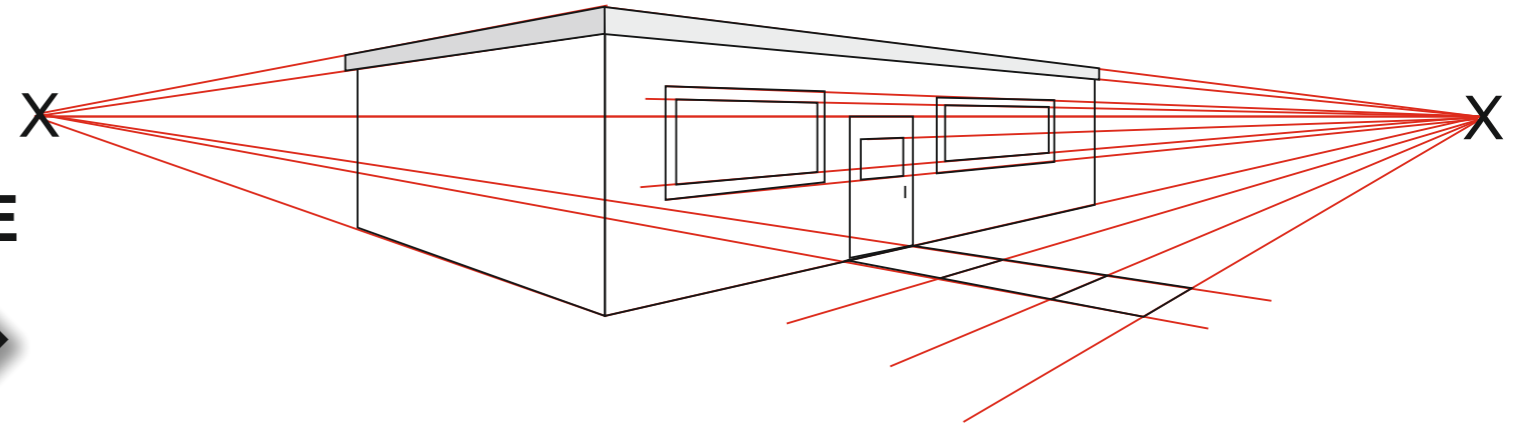
Once you have downloaded the App, you can use it to navigate the website. You may need to follow the links on each page of the App, to research / complete answers to all the questions.

**ARE YOU READY?
USE THE MOBILE App!!**

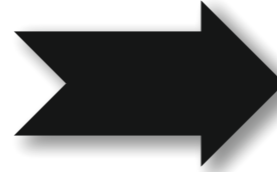
1

1. Using the basic outline below, Complete the drawing of the house, with a flat roof.

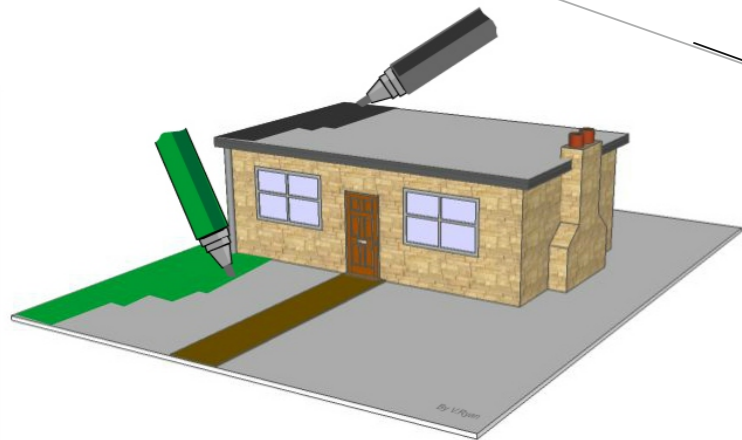
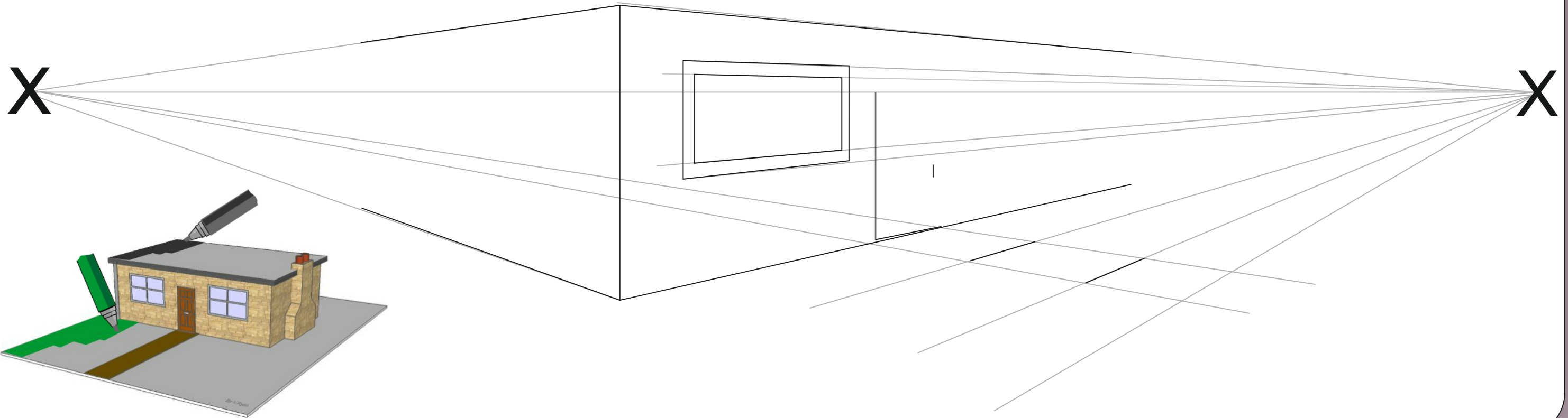
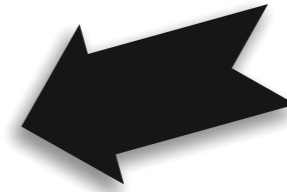
2. Add detail to the house. You may wish to include; curtains, decorative window frames, door panels, plants in the garden etc...



EXAMPLE



COMPLETE THIS DRAWING



HELPFUL LINK: http://www.technologystudent.com/mobapps/perspective_drawing2.pdf

1

MORE ADVANCED EXERCISES

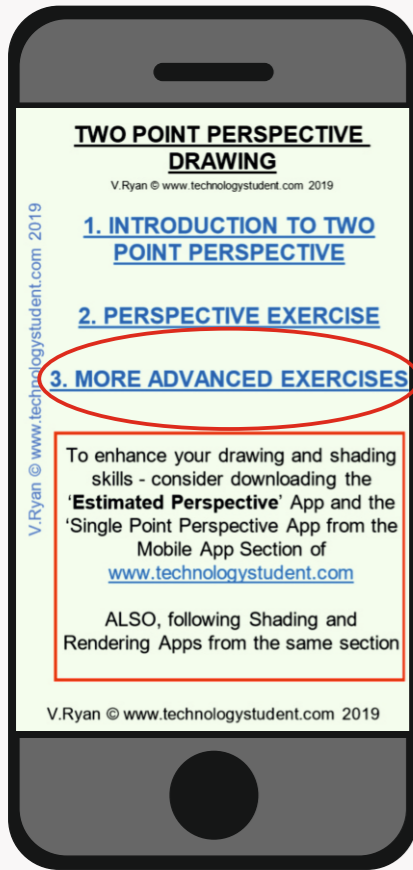
TO ANSWER ALL THE QUESTIONS, YOU WILL NEED TO DOWNLOAD THE 'TWO POINT PERSPECTIVE DRAWING' APP, FROM THE INTERACTIVE MOBILE APP SECTION OF www.technologystudent.com

LINK

http://www.technologystudent.com/mobapps/perspective_drawing2.pdf

Once you have downloaded the App, you can use it to navigate the website. You may need to follow the links on each page of the App, to research / complete answers to all the questions.

**ARE YOU READY?
USE THE MOBILE App!!**

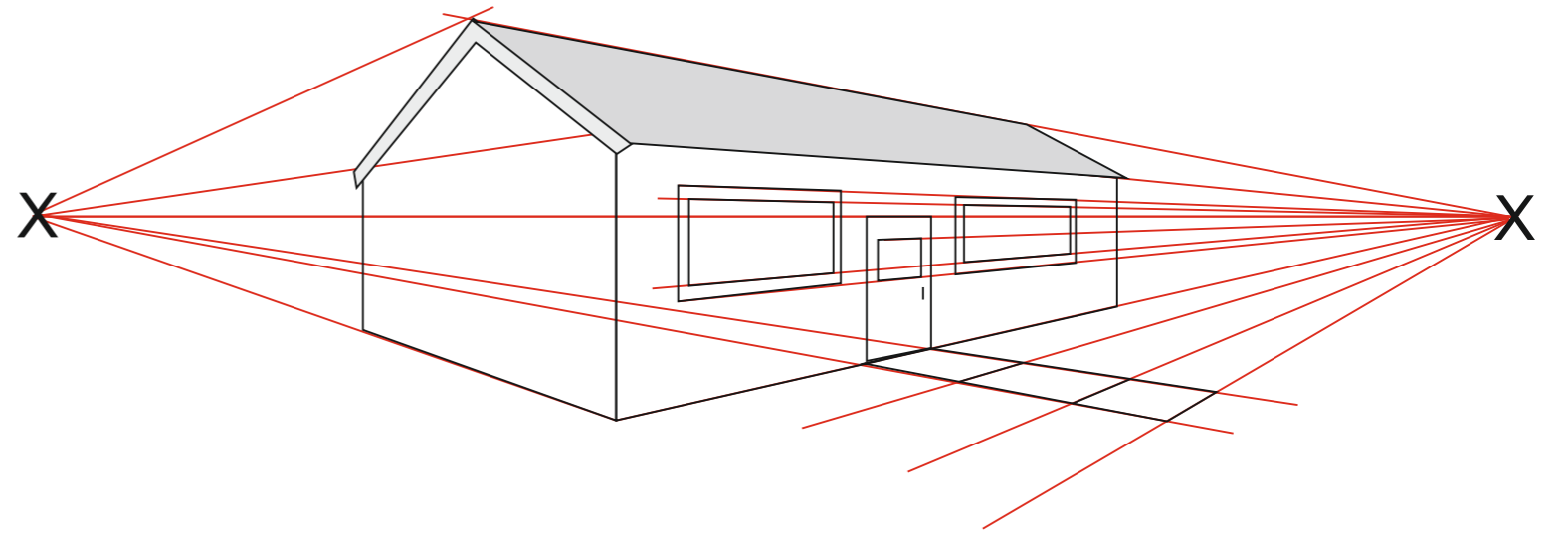


- Using the basic outline below. Complete the drawing of the house, with a conventional roof.
- Add detail to the house.

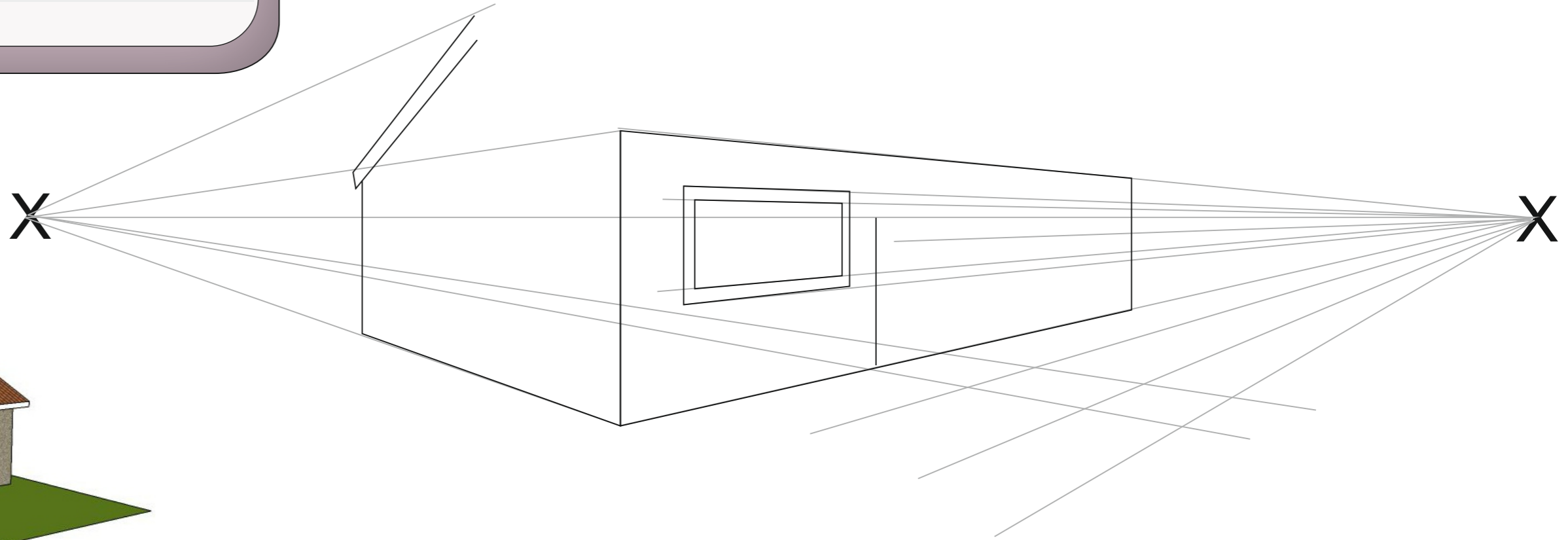
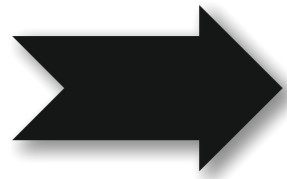
You must include; drain pipes and gutters, a chimney, TV ariel and tiles to the roof.
EXTENSION WORK:

Add - curtains, decorative window frames, door panels, plants in the garden etc...

EXAMPLE



COMPLETE THIS DRAWING



HELPFUL LINK: http://www.technologystudent.com/mobapps/perspective_drawing2.pdf