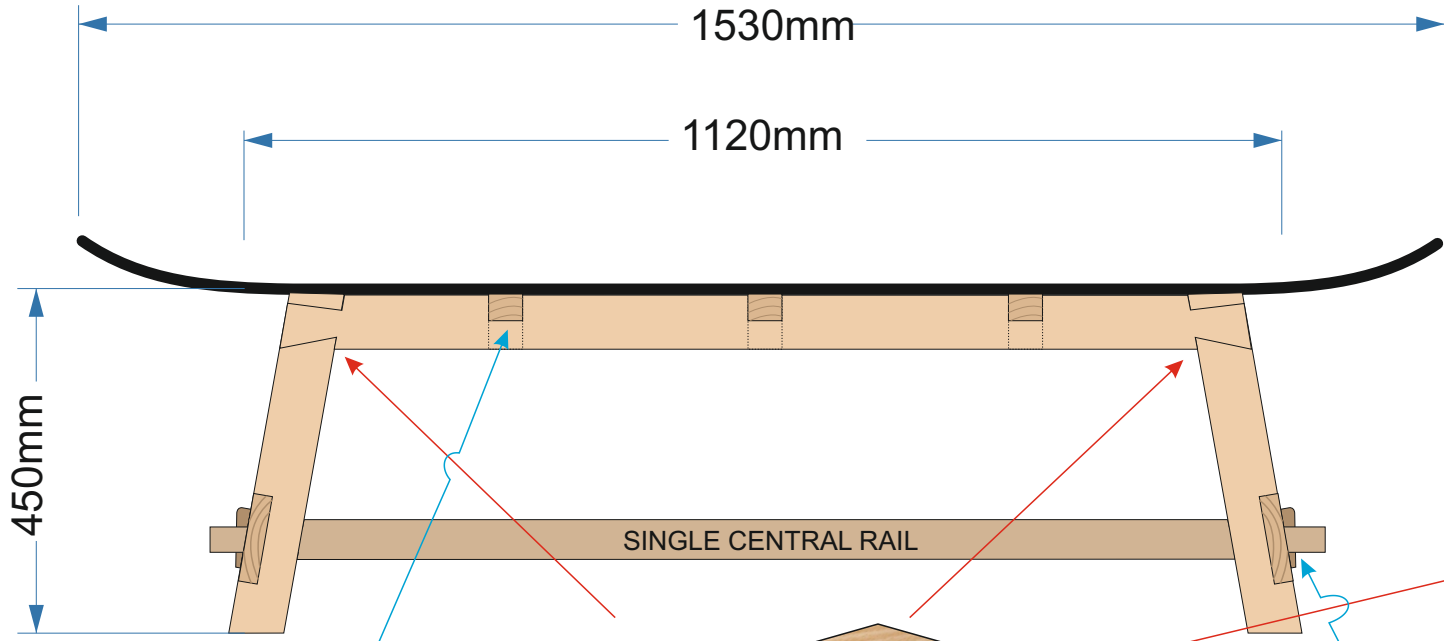
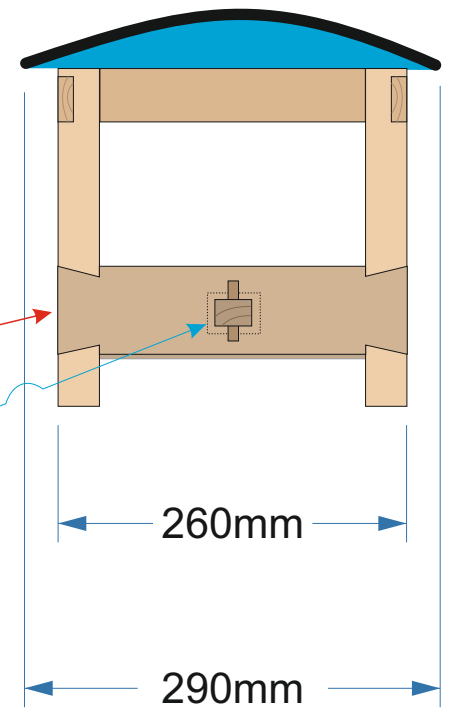


# THE INITIAL CONCEPT AS A WORKING DRAWING

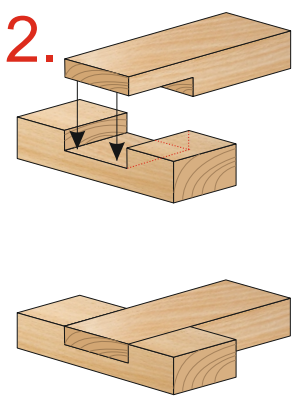
WORLD ASSOCIATION OF TECHNOLOGY TEACHERS <https://www.facebook.com/groups/254963448192823/> [www.technologystudent.com](http://www.technologystudent.com) © 2022 V.Ryan © 2022



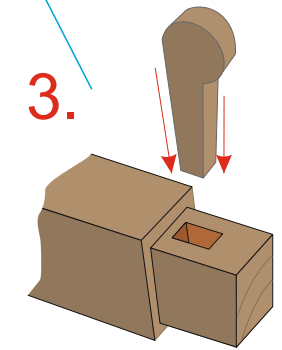
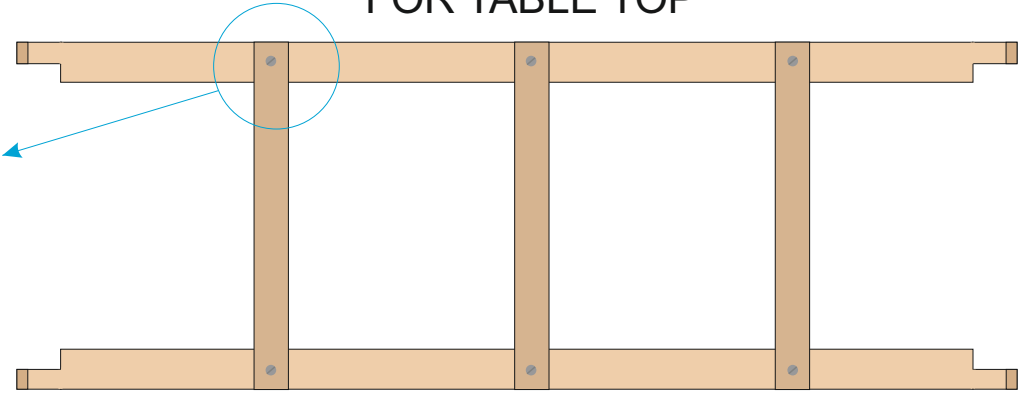
**CLICK ON THE NUMBERED JOINTS FOR MARKING OUT AND CUTTING INSTRUCTIONS**



TEE HALVING JOINT  
Screwed and glued



SUPPORTING RAILS FOR TABLE TOP



LOOSE WEDGE MORTISE AND TENON