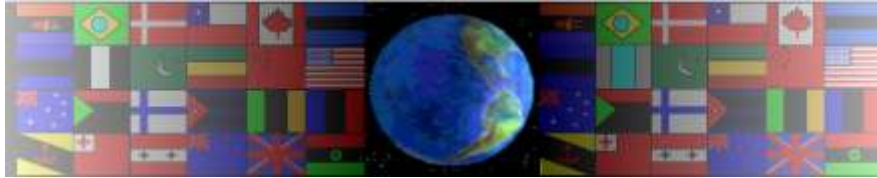


CAR DEVELOPMENT WORKSHEETS

V.Ryan © 2000 - 2009

On behalf of The World Association of Technology Teachers

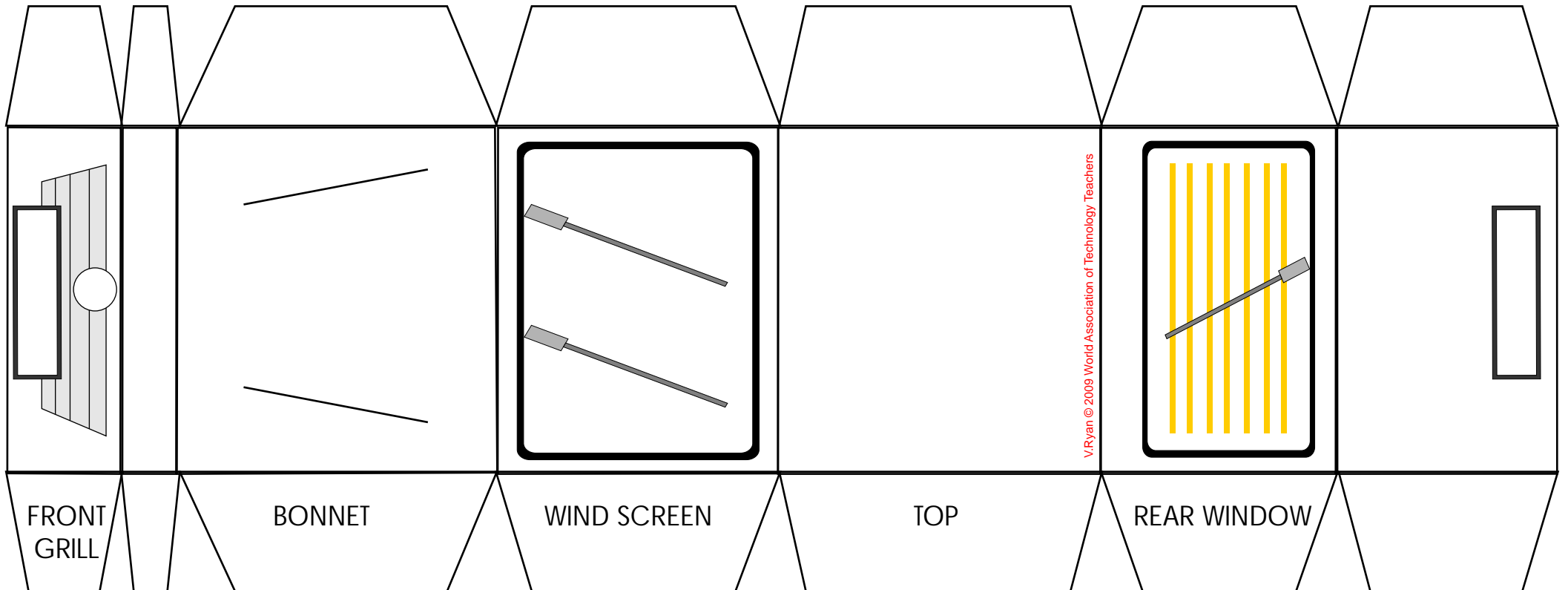
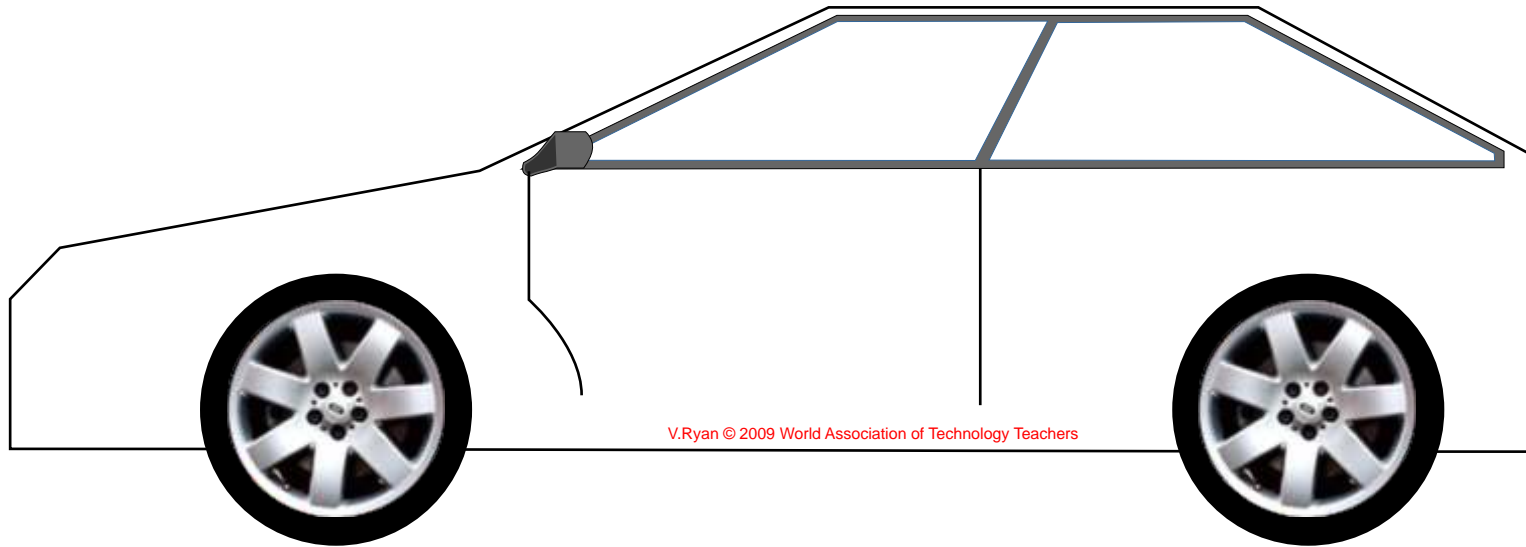
W.A.T.T.



World Association of Technology Teachers

This exercise can be printed and used by teachers and students. It is recommended that you view the website (www.technologystudent.com) before attempting the design sheet .

THESE MATERIALS CAN BE PRINTED AND USED BY TEACHERS AND STUDENTS.
THEY MUST NOT BE EDITED IN ANY WAY OR PLACED ON ANY OTHER MEDIA INCLUDING WEB SITES AND INTRANETS.
NOT FOR COMMERCIAL USE.
THIS WORK IS PROTECTED BY COPYRIGHT LAW.
IT IS ILLEGAL TO DISPLAY THIS WORK ON ANY WEBSITE/MEDIA STORAGE OTHER THAN www.technologystudent.com



Add the following:

Your number plate, front grill design, windscreen wipers, rear heated window, Rear wiper, rear number plate. Add an appropriate colour scheme that shows the difference between the glass and the metal bodywork. Add any other detail you wish.

