

# WOOD BASED TROLLEY - ONE OFF / BATCH MANUFACTURE

V.Ryan © 2000 - 2010

On behalf of The World Association of Technology Teachers

## W.A.T.T.



World Association of Technology Teachers

This exercise can be printed and used by teachers and students. It is recommended that you view the website ([www.technologystudent.com](http://www.technologystudent.com)) before attempting the design sheet .

THESE MATERIALS CAN BE PRINTED AND USED BY TEACHERS AND STUDENTS.  
THEY MUST NOT BE EDITED IN ANY WAY OR PLACED ON ANY OTHER MEDIA INCLUDING WEB SITES AND INTRANETS.  
NOT FOR COMMERCIAL USE.  
THIS WORK IS PROTECTED BY COPYRIGHT LAW.  
IT IS ILLEGAL TO DISPLAY THIS WORK ON ANY WEBSITE/MEDIA STORAGE OTHER THAN [www.technologystudent.com](http://www.technologystudent.com)

# ONE OFF / BATCH MANUFACTURE

V.Ryan © 2010 World Association of Technology Teachers



A building block trolley (seen opposite), is to be batch manufactured. Complete the table below by adding the missing sketches and notes, explaining each stage of manufacturing.

Some of the diagrams for the nine stages have been completed for you.

<p><b>STAGE 1:</b></p> <hr/> <hr/> <hr/> <hr/>	
<p><b>STAGE 2:</b></p> <hr/> <hr/> <hr/> <hr/>	
<p><b>STAGE 3:</b></p> <hr/> <hr/> <hr/> <hr/>	An illustration of a person wearing a brown shirt and a black cap, operating a lathe. They are shaping a dark brown wooden handle. A vertical double-headed arrow indicates the length of the handle being worked on.
<p><b>STAGE 4:</b></p> <hr/> <hr/> <hr/> <hr/>	An illustration showing a drill bit being used to drill holes into a grey rectangular block. A red arrow points downwards, indicating the direction of the drill. Below the block, a separate orange rectangular piece is shown with two white circular holes already drilled into it.

# ONE OFF / BATCH MANUFACTURE

V.Ryan © 2010 World Association of Technology Teachers

STAGE 5:

---

---

---

---

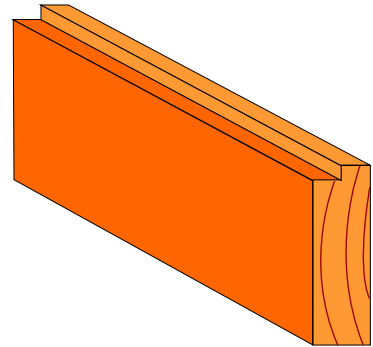
STAGE 6:

---

---

---

---



STAGE 7:

---

---

---

---



STAGE 8:

---

---

---

---

STAGE 9:

---

---

---

---

