

TENON JOINTS

V.Ryan © 2000 - 2008

On behalf of The World Association of Technology Teachers

W.A.T.T.



World Association of Technology Teachers

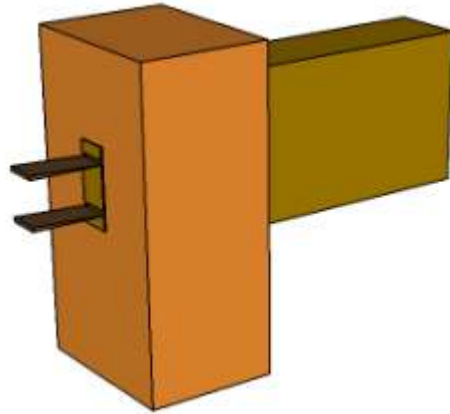
The 'Tenon Joint Exercise' can be printed and used by teachers and students. It is recommended that you view the website (www.technologystudent.com) before attempting the design sheet.

THESE MATERIALS CAN BE PRINTED AND USED BY TEACHERS AND STUDENTS.
THEY MUST NOT BE EDITED IN ANY WAY OR PLACED ON ANY OTHER MEDIA INCLUDING WEB SITES AND INTRANETS.
NOT FOR COMMERCIAL USE.
THIS WORK IS PROTECTED BY COPYRIGHT LAW.
IT IS ILLEGAL TO DISPLAY THIS WORK ON ANY WEBSITE/MEDIA STORAGE OTHER THAN www.technologystudent.com

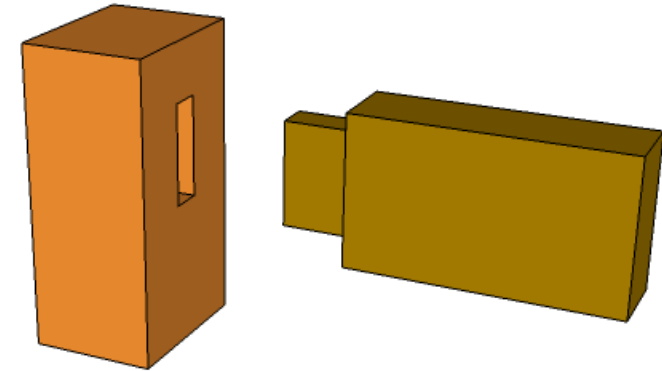
TENON JOINTS

Two mortise and tenon joints are shown below. The plain mortise and tenon joint is the easiest to mark out and cut and the wedged version is more complicated. Answer the questions below and draw a sketch of the wedge mortise and tenon, labelling the parts.

WEDGED MORTISE AND TENON



PLAIN MORTISE AND TENON



YOUR SKETCH OF THE WEDGED MORTISE AND TENON JOINT

1. What are the advantages of using a wedged mortise and tenon instead of the plain version?

2. List the tools and equipment that are needed when marking out and cutting the wedged mortise and tenon joint.
