

THE 555 IC

V.Ryan © 2000 - 2009

On behalf of The World Association of Technology Teachers

W.A.T.T.



World Association of Technology Teachers

This exercise can be printed and used by teachers and students. It is recommended that you view the website (www.technologystudent.com) before attempting the design sheet .

THESE MATERIALS CAN BE PRINTED AND USED BY TEACHERS AND STUDENTS.
THEY MUST NOT BE EDITED IN ANY WAY OR PLACED ON ANY OTHER MEDIA INCLUDING WEB SITES AND INTRANETS.
NOT FOR COMMERCIAL USE.
THIS WORK IS PROTECTED BY COPYRIGHT LAW.
IT IS ILLEGAL TO DISPLAY THIS WORK ON ANY WEBSITE/MEDIA STORAGE OTHER THAN www.technologystudent.com

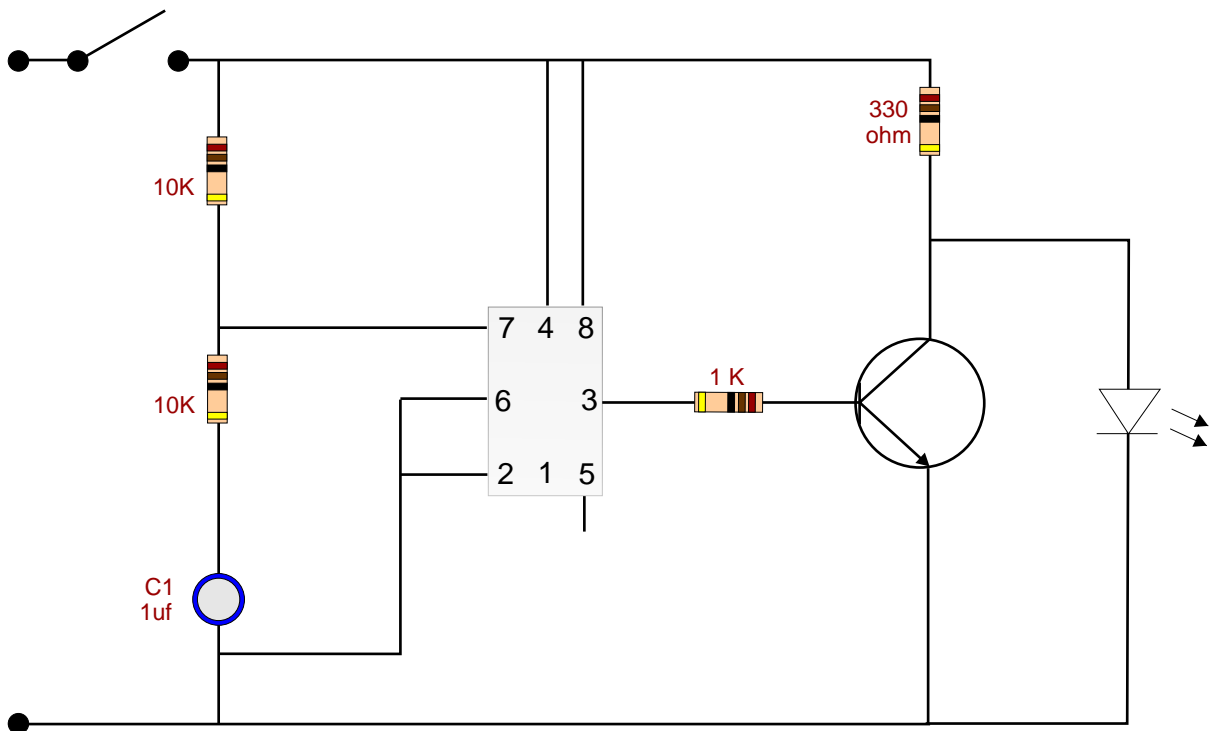
555 ASTABLE

V.Ryan © 2009 World Association of Technology Teachers

1. What is an ASTABLE circuit?

2. The circuit below includes a 555 integrated circuit and is an ASTABLE circuit. Explain how this circuit works and its function.

3. Label all the components that make up the circuit.



4. What function has pin 2 ?

5. What function has pin 3 ?

6. If the value of the capacitor is increased what happens?

6. If the LED was replaced with a relay another component would be required to protect the circuit. What component needs adding and why?
