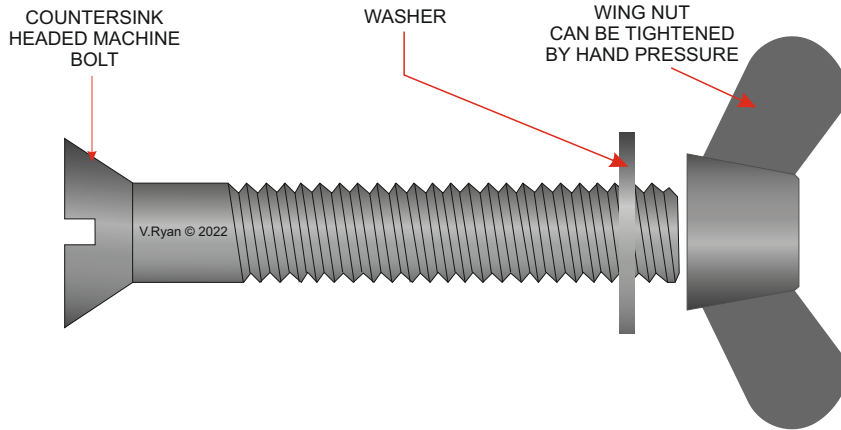


# TYPES OF BOLTS

V.Ryan © 2008-2022 World Association of Technology Teachers

**USEFUL LINK** <https://technologystudent.com/joints/bolt2.htm>

## MACHINE SCREW - COUNTERSUNK HEAD

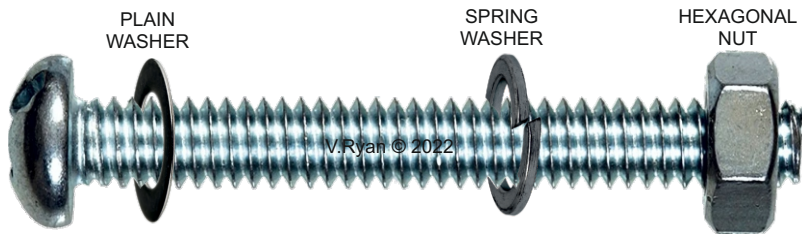


1. The bolt seen opposite is a Countersunk Head Machine Bolt. A wing nut is used in place of a typical nut. Give one advantage and disadvantage of using a wing nut.

ADVANTAGE: \_\_\_\_\_

DISADVANTAGE: \_\_\_\_\_

## MACHINE SCREW - ROUND HEAD



2. The Round Head Machine Screw seen opposite has a washer. Why are washers often required with machine screws?

\_\_\_\_\_

\_\_\_\_\_

\_\_\_\_\_

\_\_\_\_\_

Pan Head Screw, Spring Washer and Nut

3. In the space opposite, draw a Pan Head machine screw with a spring washer and nut.