

# DIGITAL LOGIC CIRCUITS

V.Ryan © 2000 - 2009

On behalf of The World Association of Technology Teachers

## W.A.T.T.



World Association of Technology Teachers

This exercise can be printed and used by teachers and students. It is recommended that you view the website ([www.technologystudent.com](http://www.technologystudent.com)) before attempting the design sheet .

THESE MATERIALS CAN BE PRINTED AND USED BY TEACHERS AND STUDENTS.  
THEY MUST NOT BE EDITED IN ANY WAY OR PLACED ON ANY OTHER MEDIA INCLUDING WEB SITES AND INTRANETS.  
NOT FOR COMMERCIAL USE.  
THIS WORK IS PROTECTED BY COPYRIGHT LAW.  
IT IS ILLEGAL TO DISPLAY THIS WORK ON ANY WEBSITE/MEDIA STORAGE OTHER THAN [www.technologystudent.com](http://www.technologystudent.com)

# DIGITAL ELECTRONICS - LOGIC GATES

V.Ryan © 2009 World Association of Technology Teachers

1. LOGIC circuits are normally composed of G\_\_\_\_\_

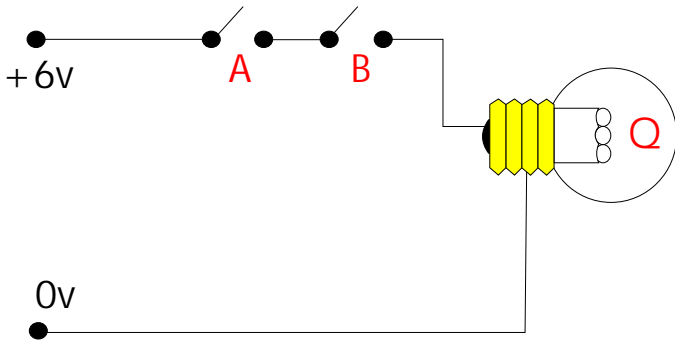
2. Logic circuits produce pulses of electricity. How are these represented when written on paper?

---

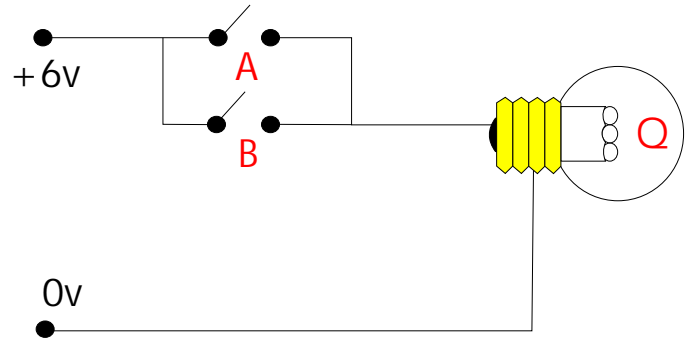
3. Name the two most common types of gate found in logic circuits

---

4. The two simple circuits shown below represent the two most common types of gates. Write the name of each gate under each circuit diagram.



NAME: \_\_\_\_\_



NAME: \_\_\_\_\_

5. What letter represents the output of each logic circuit shown above?

---

6. What role do transistors play in most logic circuits and Integrated circuits (ICs /Silicon chips).

---

---

---

---

---

---

---

---