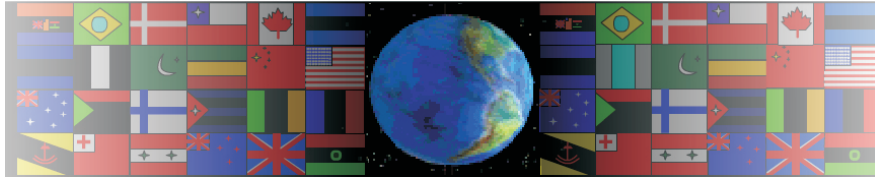


ESTIMATED PERSPECTIVE

V.Ryan © 2000 - 2008

On behalf of The World Association of Technology Teachers

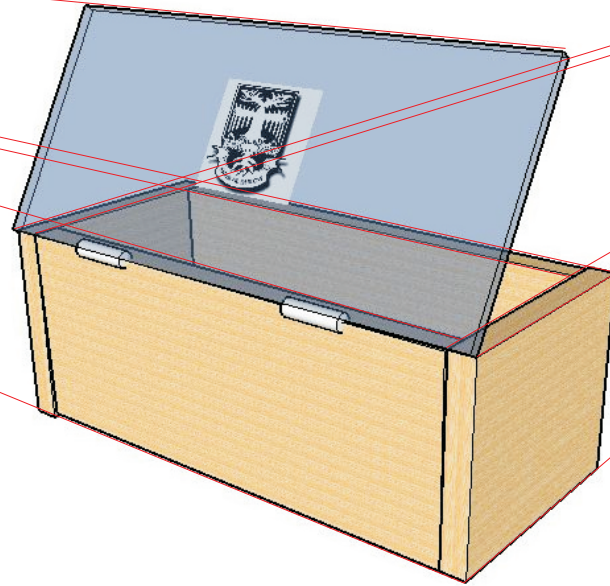
W.A.T.T.



World Association of Technology Teachers

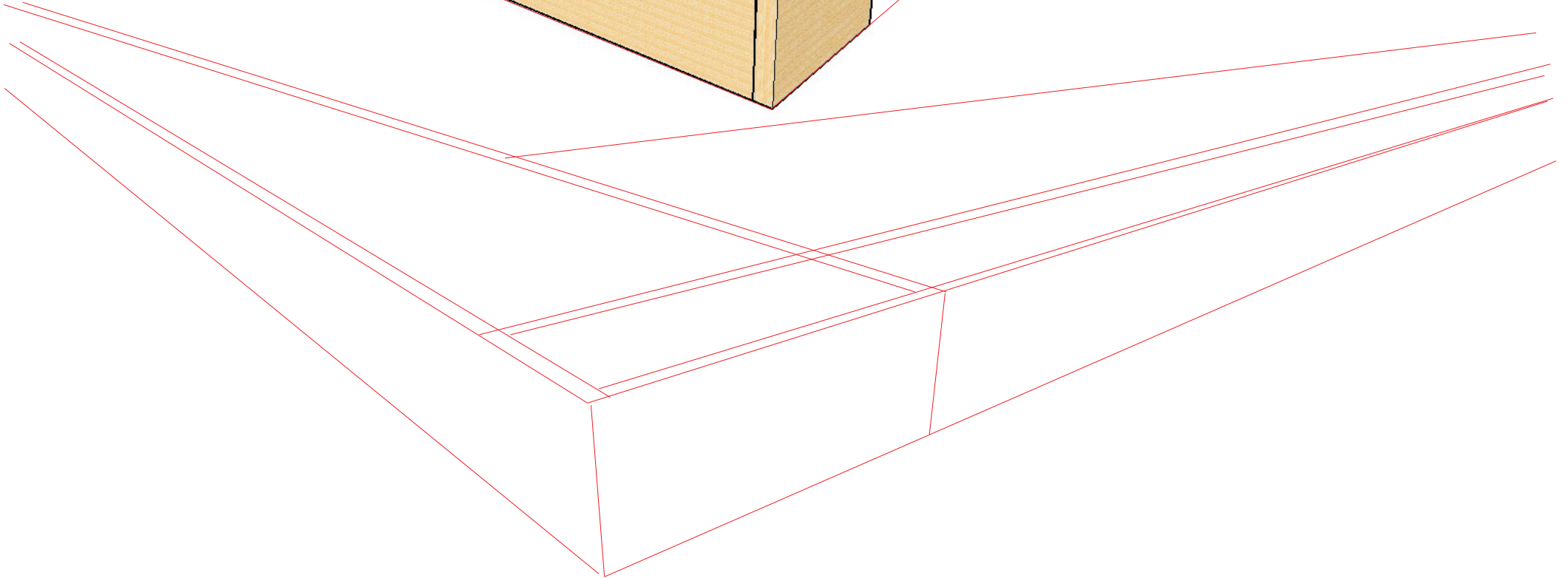
The 'Estimated Perspective Exercise' can be printed and used by teachers and students. It is recommended that you view the website section 'Graphics' (www.technologystudent.com) before attempting the design sheet .

THESE MATERIALS CAN BE PRINTED AND USED BY TEACHERS AND STUDENTS.
THEY MUST NOT BE EDITED IN ANY WAY OR PLACED ON ANY OTHER MEDIA INCLUDING WEB SITES AND INTRANETS.
NOT FOR COMMERCIAL USE.
THIS WORK IS PROTECTED BY COPYRIGHT LAW.
IT IS ILLEGAL TO DISPLAY THIS WORK ON ANY WEBSITE/MEDIA STORAGE OTHER THAN www.technologystudent.com



The completed estimated perspective of a simple jewellery box is shown opposite.

Complete the unfinished drawing below. Add suitable colour and shade. Include a grain effect.



NAME:

ESTIMATED PERSPECTIVE

DATE: