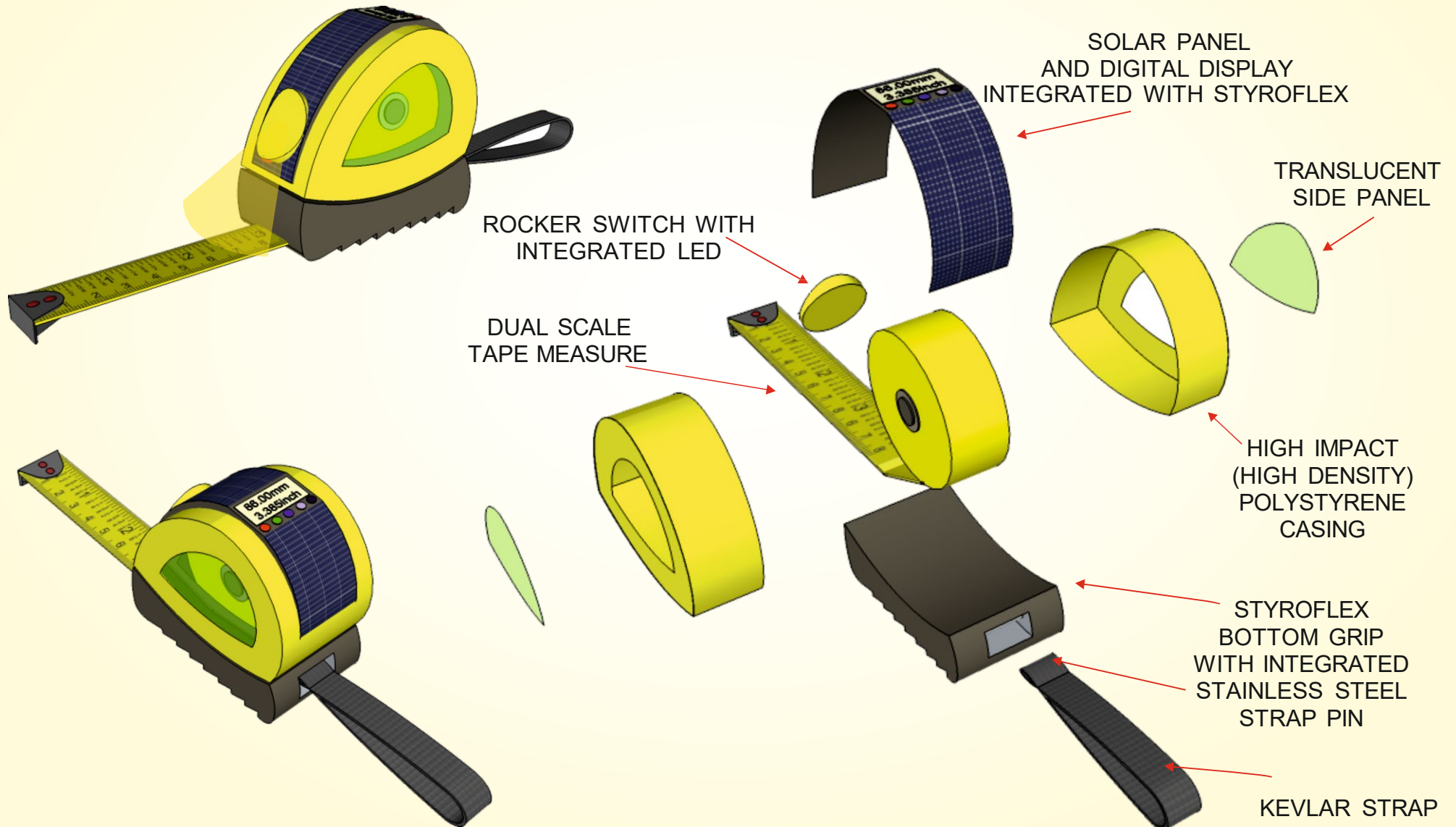


EXPLODED VIEWS - INTERACTIVE EXERCISES

WORK THROUGH THE EXERCISES ON EXPLODED VIEWS / DRAWINGS. ON EACH OF THE PAGES ARE 'LINK BUTTONS'. CLICKING ON THESE WILL TAKE YOU TO USEFUL INFORMATION, THAT WILL HELP YOU ANSWER THE QUESTIONS / EXERCISES.

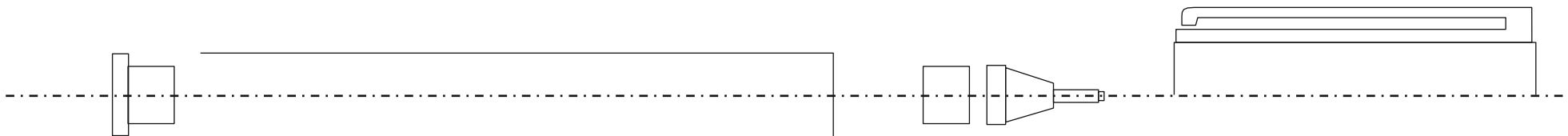
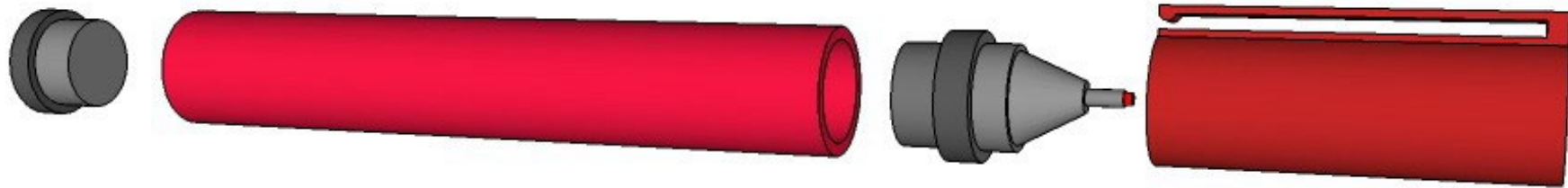


EXPLODED VIEWS - FINE PEN DESIGN

[V.Ryan © 2008 World Association of Technology Teachers](#)

A fine felt pen is shown below. It has been drawn as an exploded 3D view. Complete the 2D version below by adding the missing lines and appropriate colour and shade.

HELPFUL LINK

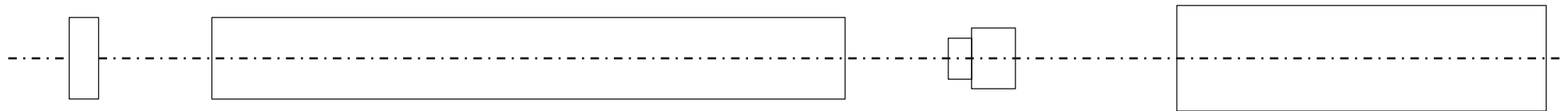
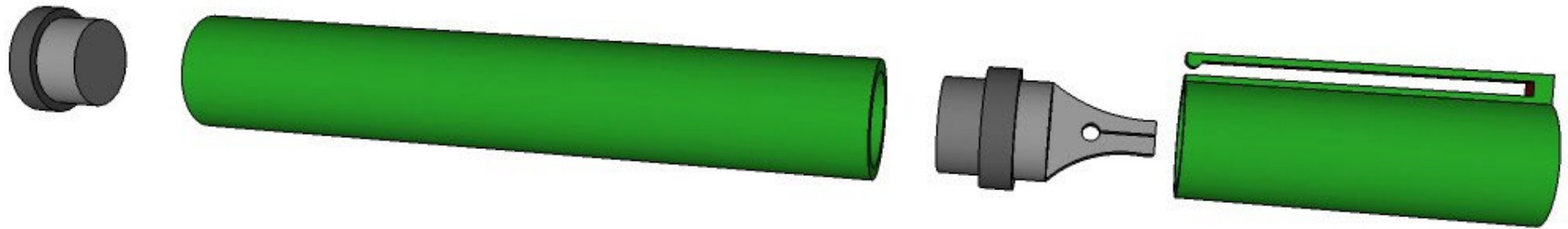


EXPLODED VIEWS - FOUNTAIN PEN DESIGN

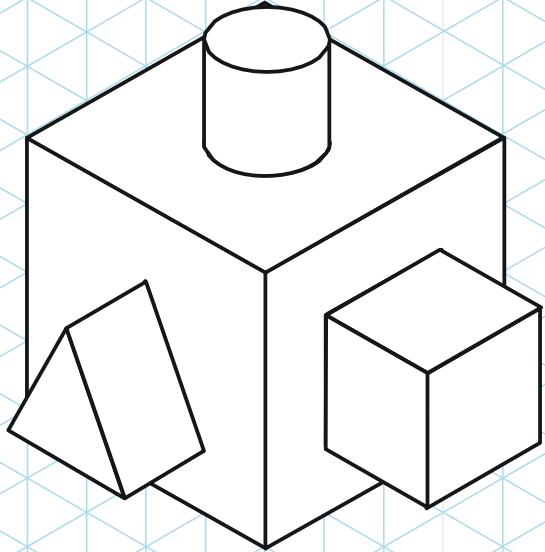
[V.Ryan © 2008 World Association of Technology Teachers](#)

A fountain pen is shown below. It has been drawn as an exploded 3D view. Complete the 2D version below, by adding the missing lines and appropriate colour and shade.

HELPFUL LINK

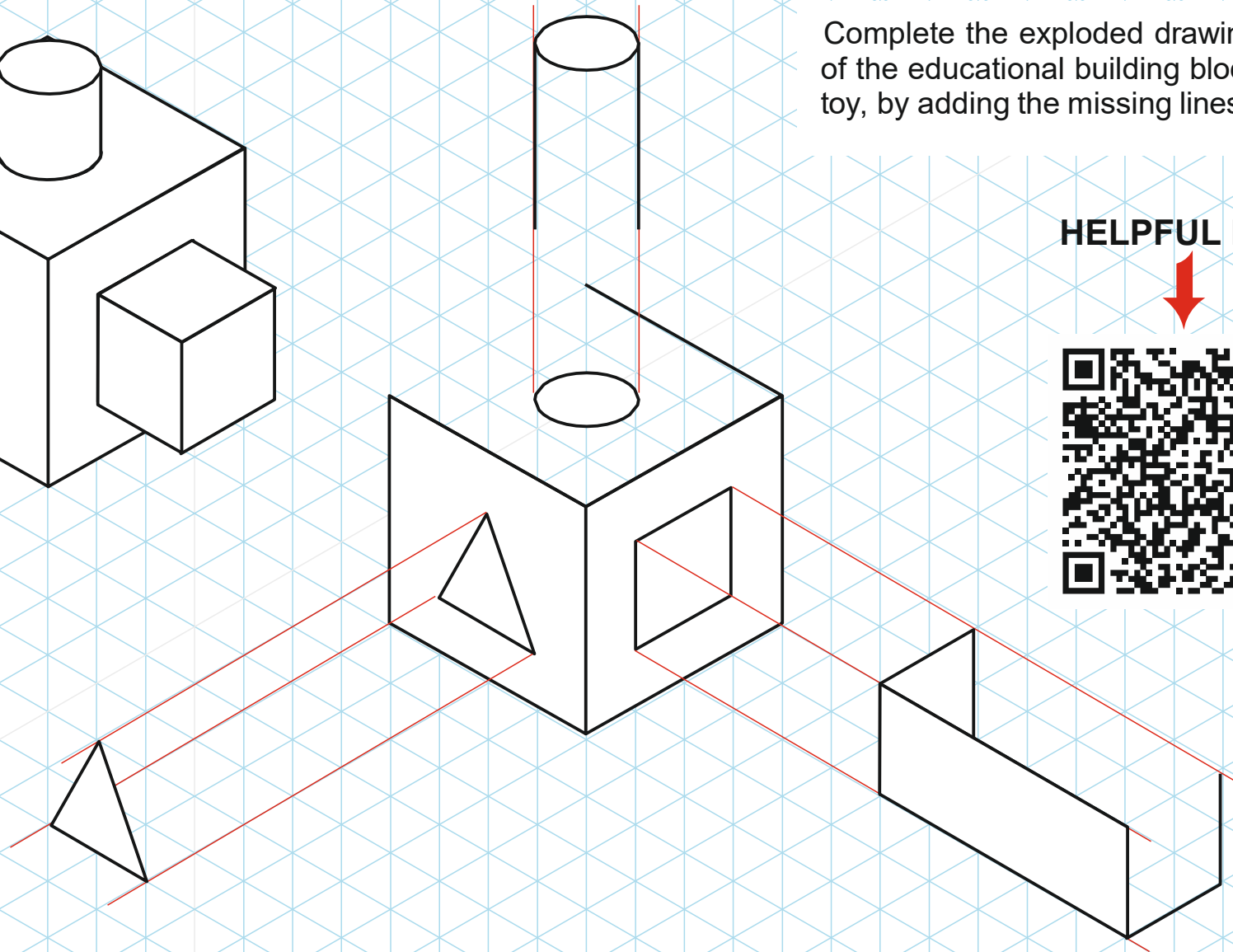


EXPLODED DRAWINGS

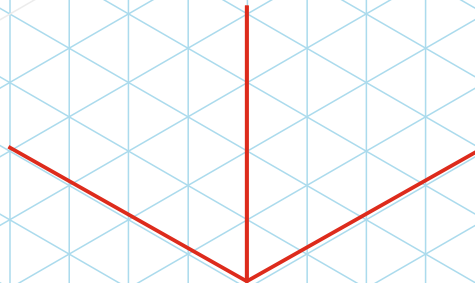
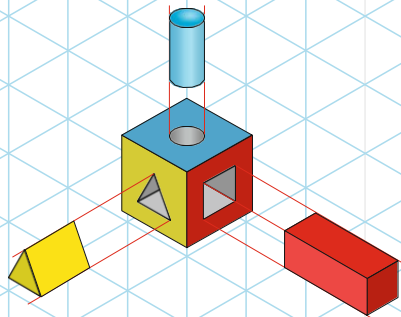
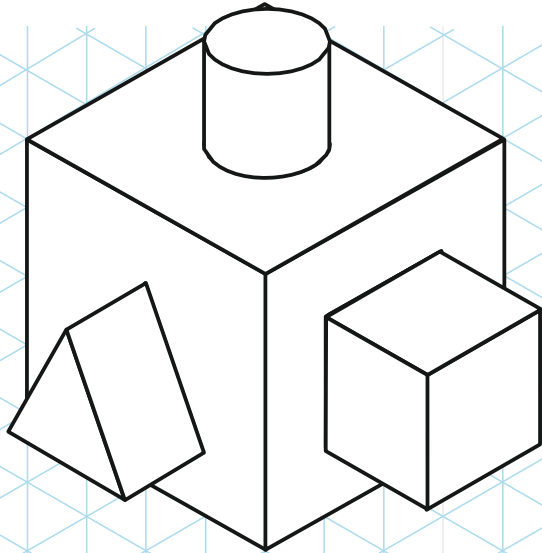


Complete the exploded drawing of the educational building block toy, by adding the missing lines.

HELPFUL LINK



EXPLODED DRAWINGS

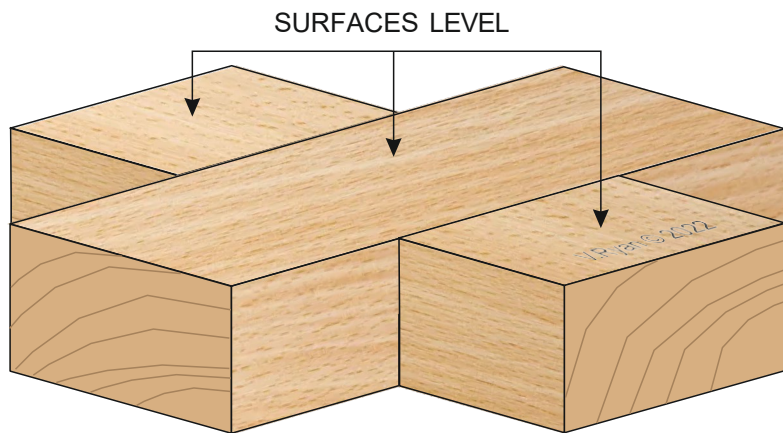


Draw an exploded view of the educational building block toy. Add appropriate colour and shade. Start your drawing on the 30 degree lines and single vertical line, just below the centre of the page

HELPFUL LINK



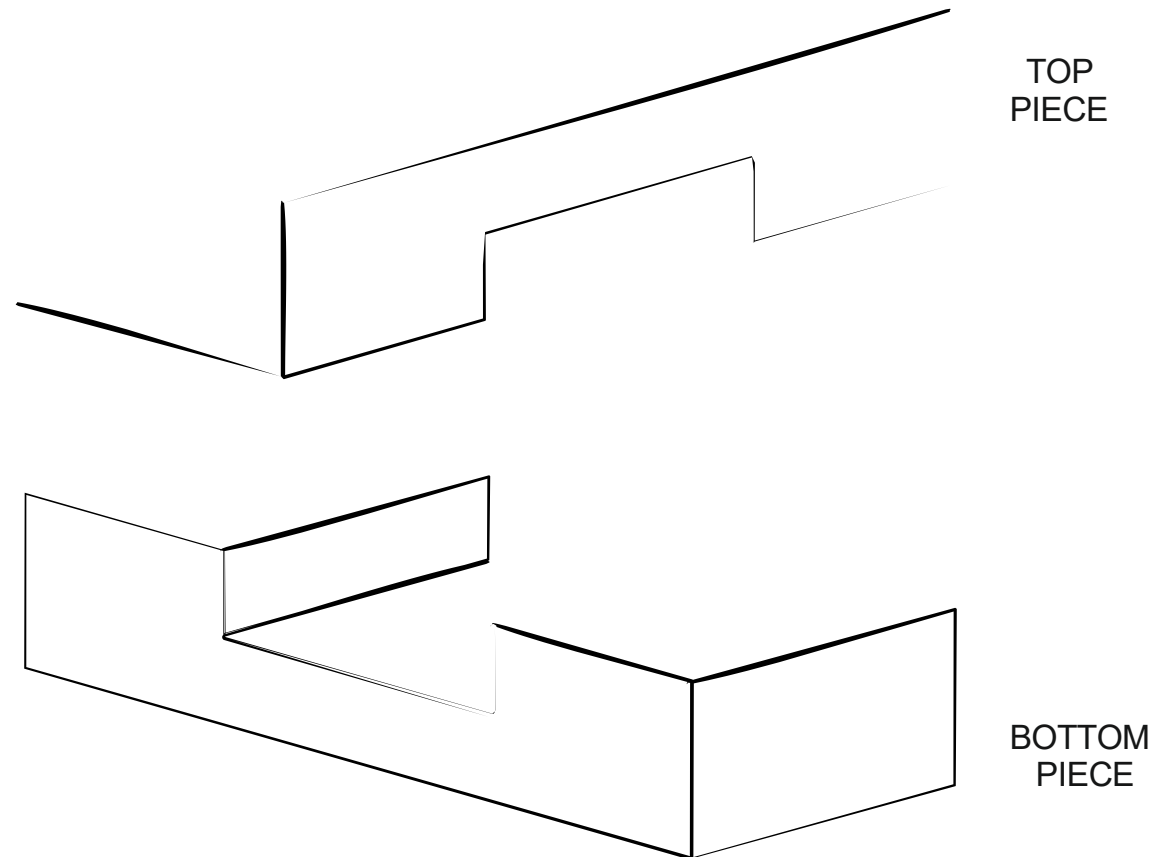
CROSS HALVING JOINT - ASSEMBLED VIEW



Detailed drawings of a common woodworking joint called a cross halving joint, are seen opposite.

Using a ruler and pencil / ink pen OR freehand (without a ruler), complete the sketch of the exploded view.

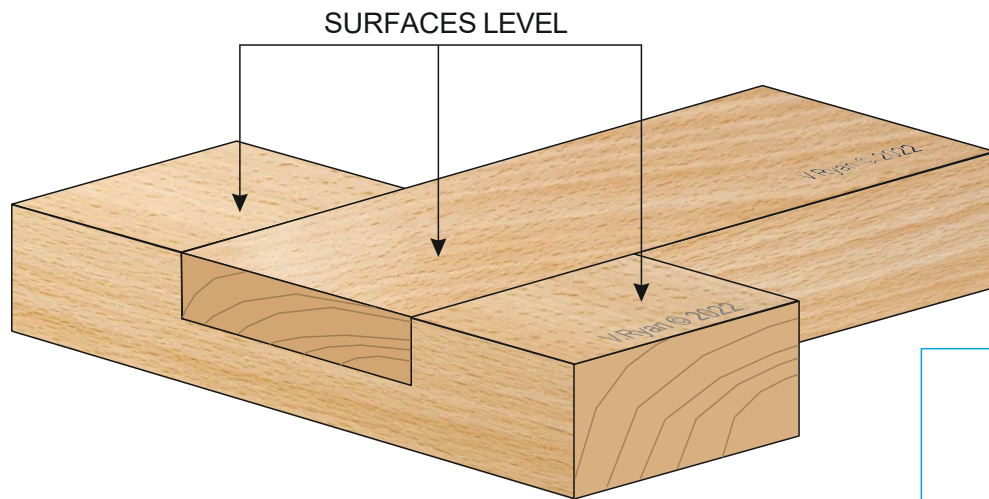
YOUR - EXPLODED VIEW



HELPFUL LINK



TEE HALVING JOINT - ASSEMBLED VIEW



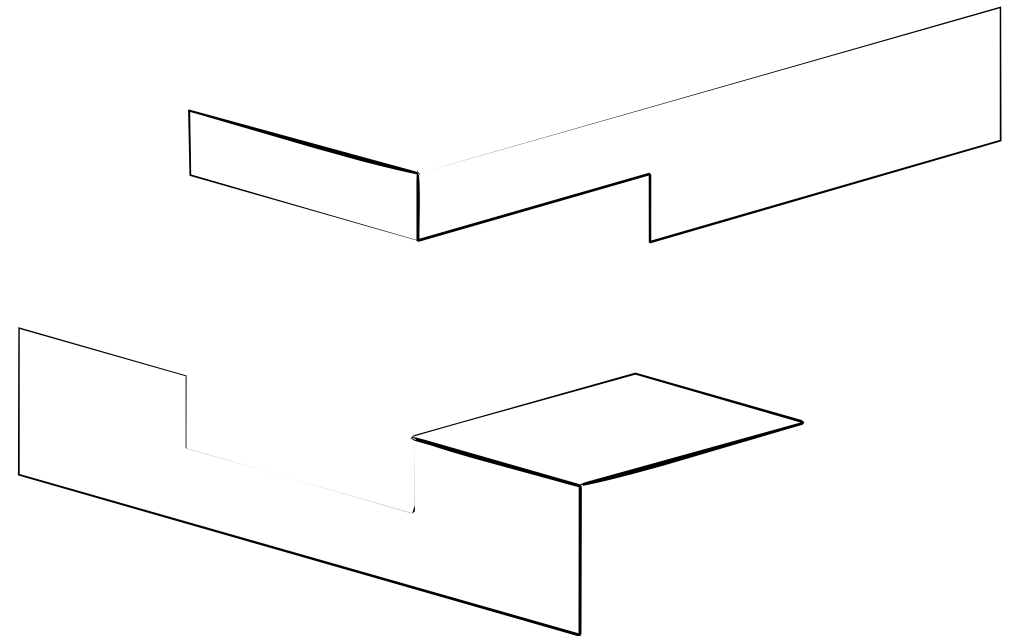
Detailed drawings of a common woodworking joint called a tee halving joint, are seen opposite.

Using a ruler and pencil / ink pen OR freehand (without a ruler), complete the sketch of the exploded view.

HELPFUL LINK

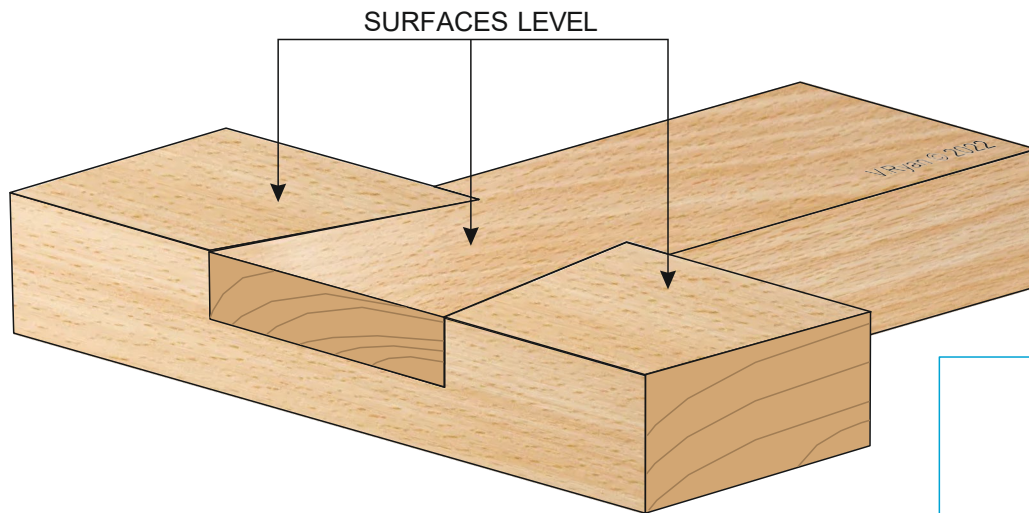


YOUR - EXPLODED VIEW



DOVETAIL HALVING JOINT

DOVETAIL HALVING JOINT - ASSEMBLED VIEW



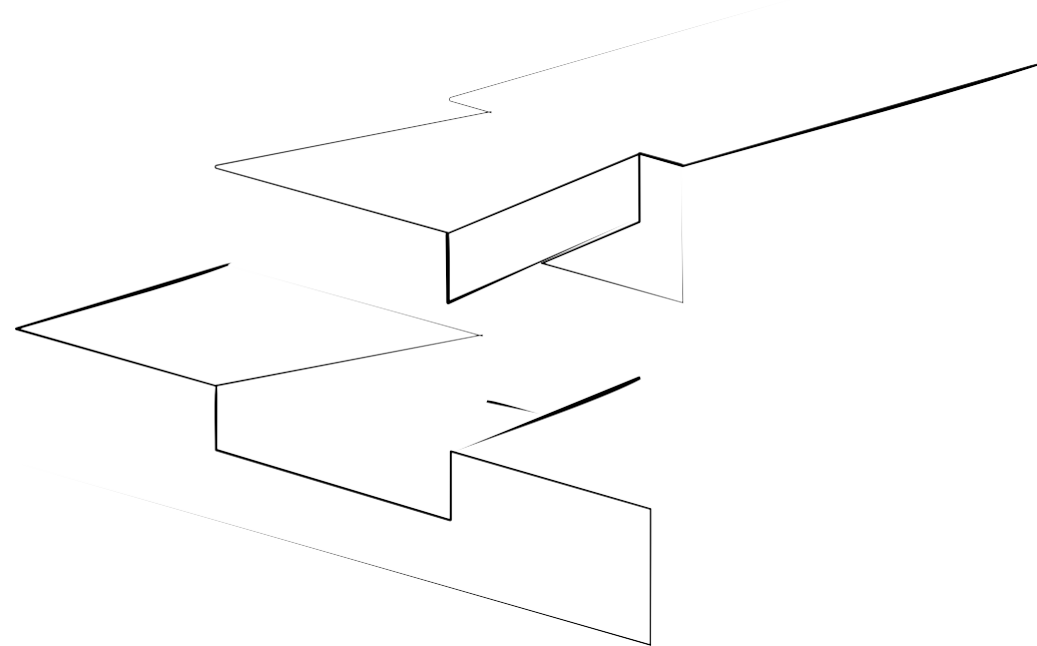
Detailed drawings of a common woodworking joint called a dovetail halving joint, are seen opposite.

Using a ruler and pencil / ink pen OR freehand (without a ruler), complete the sketch of the exploded view.

HELPFUL LINK

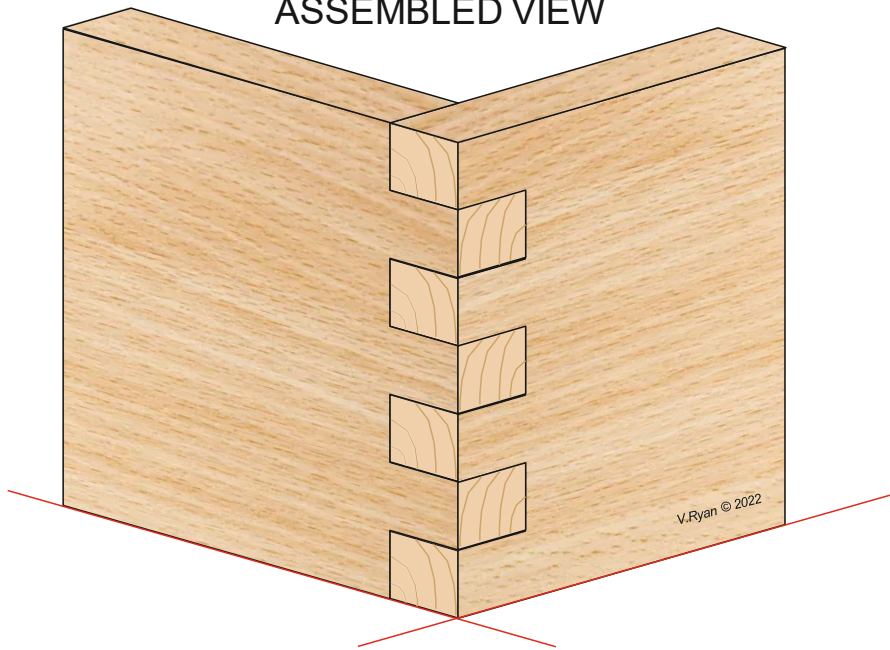


YOUR - EXPLODED VIEW



FINGER / COMB JOINT

ASSEMBLED VIEW



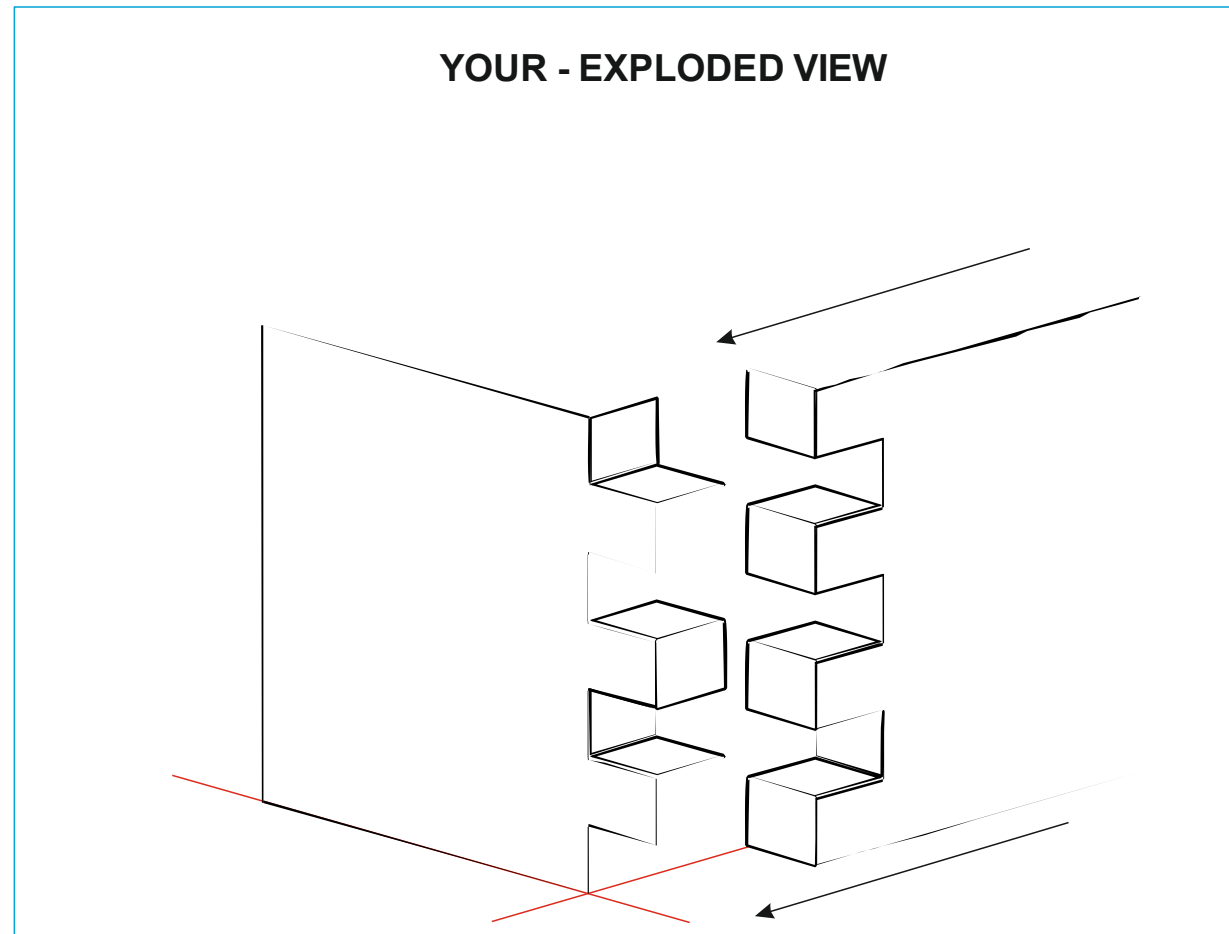
Detailed drawings of a common woodworking joint called a finger / comb joint, are seen opposite.

Using a ruler and pencil / ink pen OR freehand (without a ruler), complete the sketch of the exploded view.

HELPFUL LINK

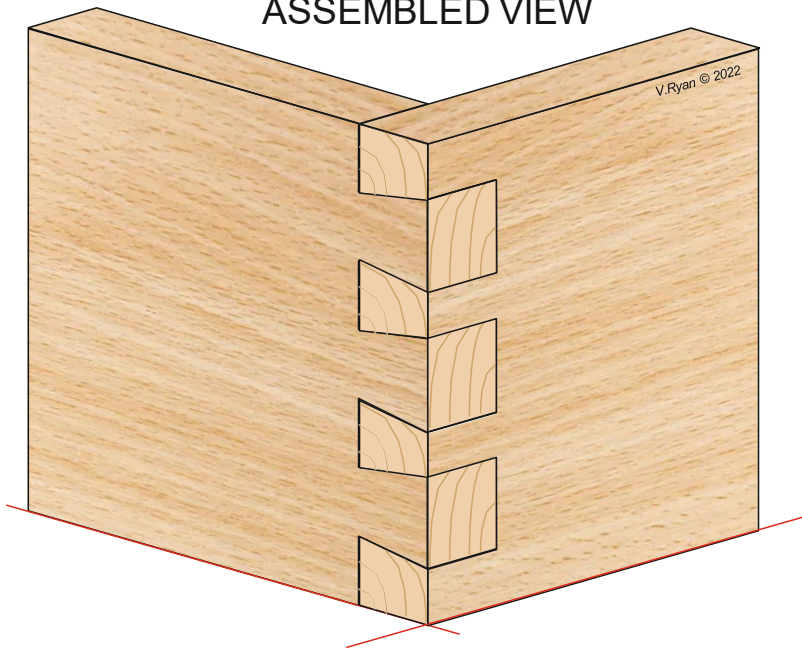


YOUR - EXPLODED VIEW



THROUGH DOVETAIL JOINT

ASSEMBLED VIEW



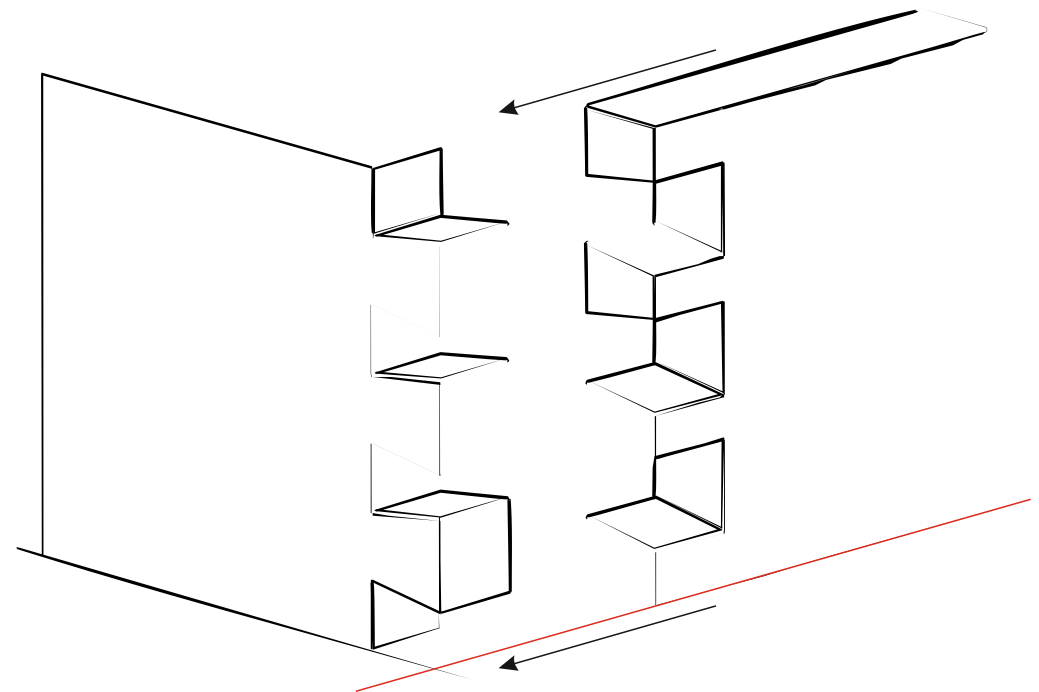
Detailed drawings of a common woodworking joint called a through dovetail joint, are seen opposite.

Using a ruler and pencil / ink pen OR freehand (without a ruler), complete the sketch of the exploded view.

HELPFUL LINK

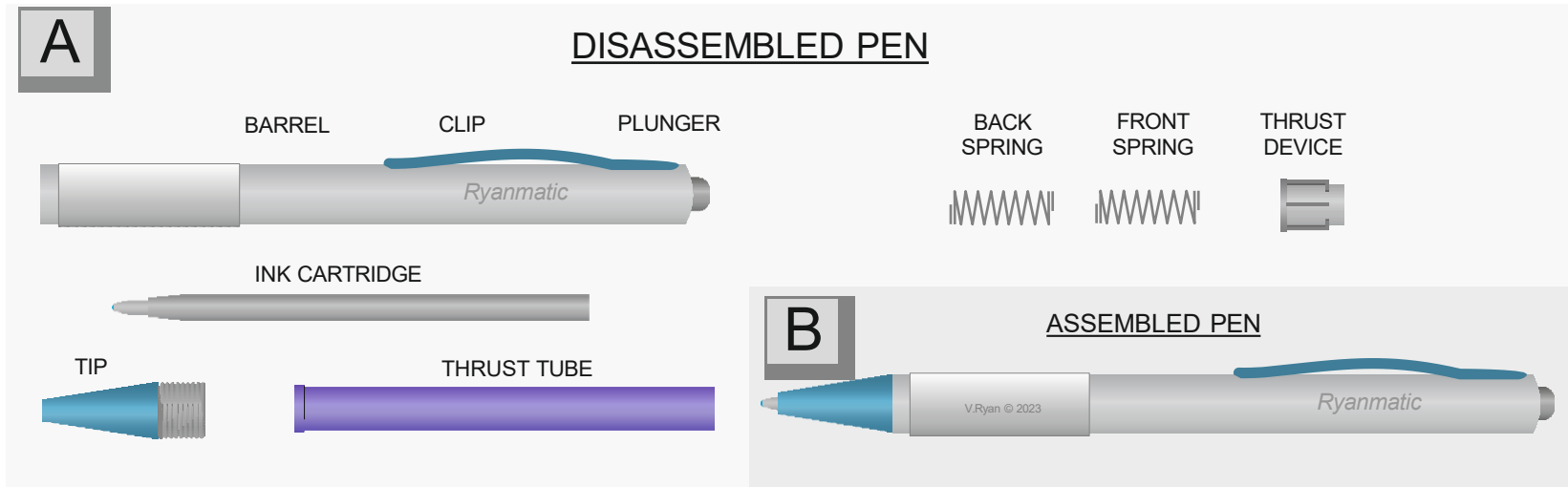


YOUR - EXPLODED VIEW

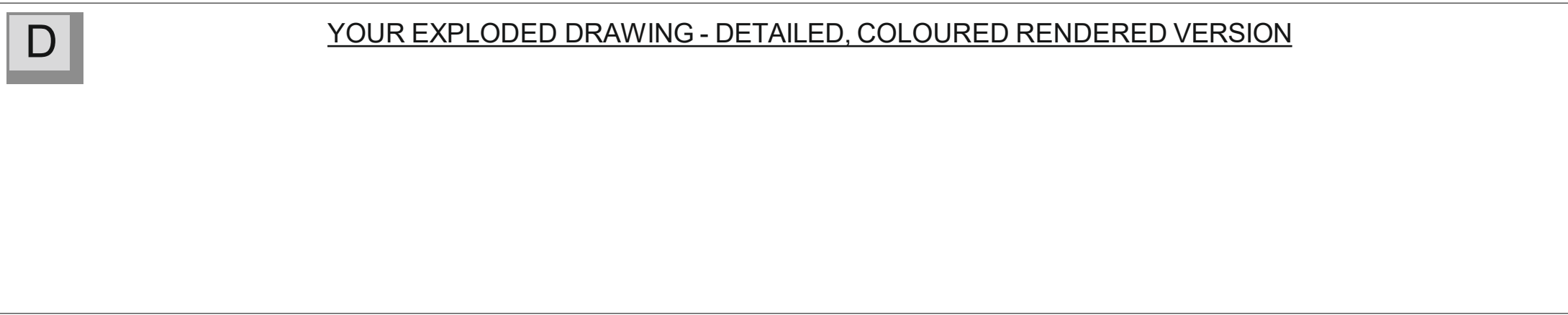
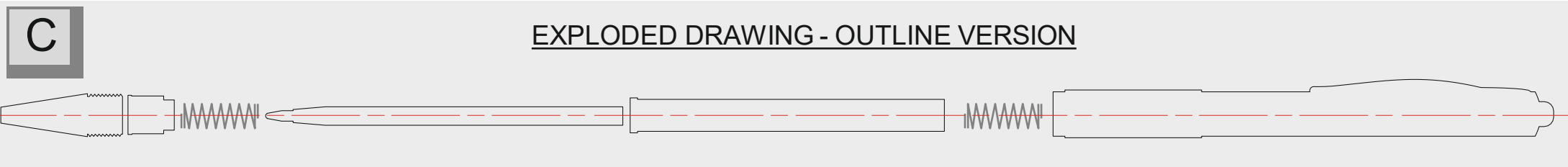


EXPLODED DRAWING

A disassembled pen is shown below (Dia A). Each of the parts have been labelled for you. There is also an assembled version of the pen (Dia B). The 'outline' of an exploded drawing of the pen is seen as Dia C (showing the correct position of each component). You are to produce a detailed, colour rendered, exploded drawing of the pen, at the bottom of the page (space 'D'). Include labels identifying each component.



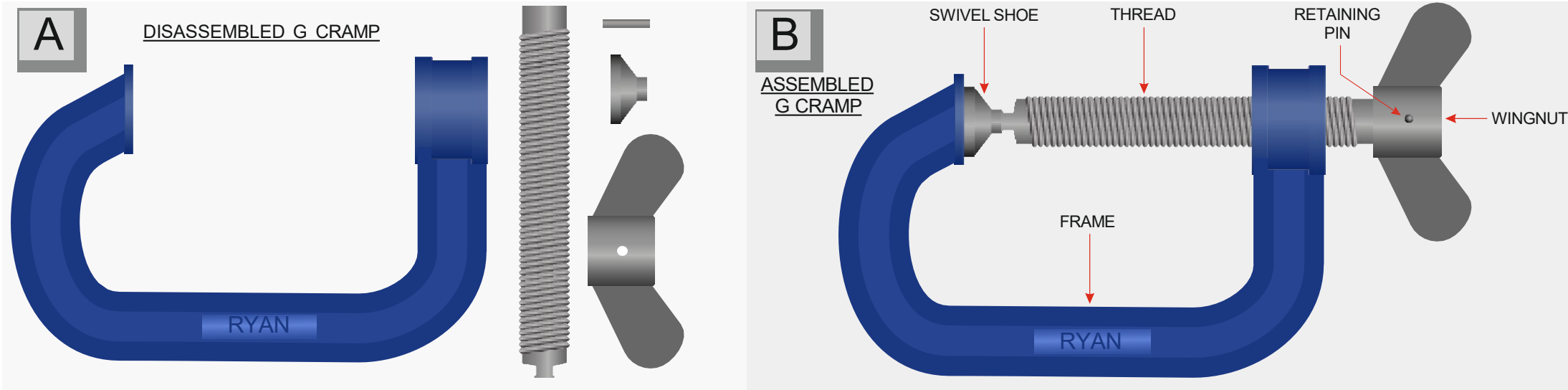
HELPFUL LINK



EXPLODED DRAWING

A disassembled G cramp is shown below (Dia A). There is also an assembled version of the G Cramp (Dia B).

You are to produce a detailed, colour rendered, exploded drawing of the G Cramp, at the bottom of the page (space 'C'). Include labels identifying each component.



C

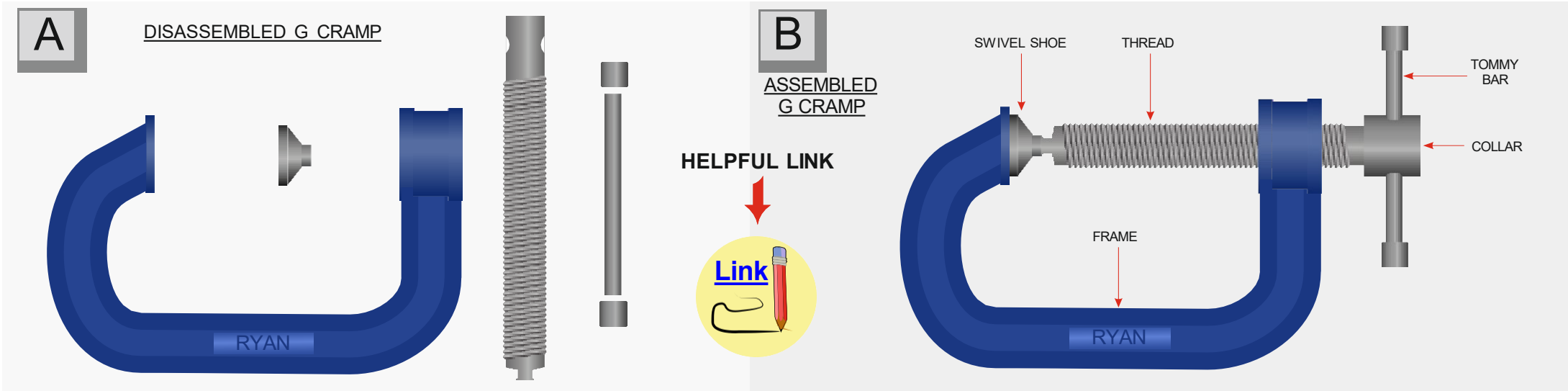
YOUR EXPLODED DRAWING - DETAILED, COLOURED RENDERED VERSION

HELPFUL LINK



EXPLODED DRAWING

A disassembled G cramp (with Tommy Bar) is shown below (Dia A). There is also an assembled version of the G Cramp (Dia B). You are to produce a detailed, colour rendered, exploded drawing of the G Cramp, at the bottom of the page (space 'C'). Include labels identifying each component.



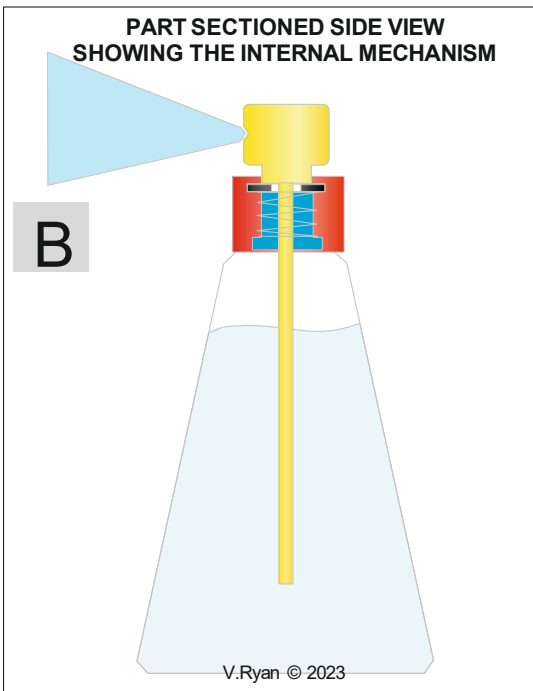
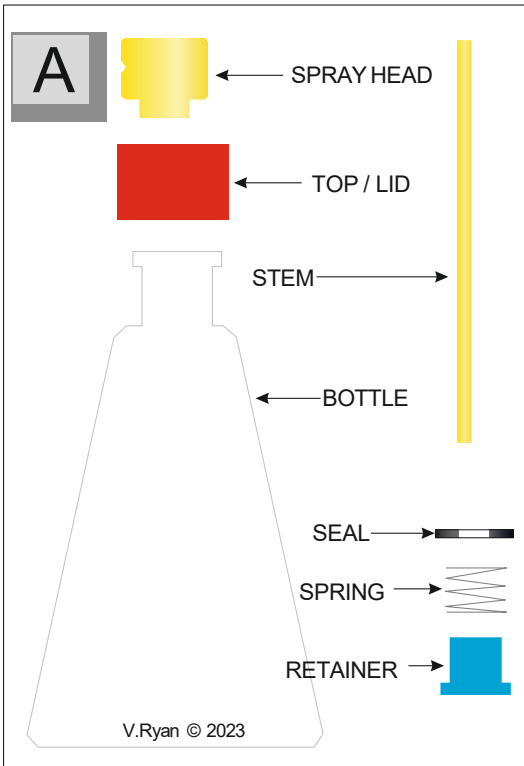
C YOUR EXPLODED DRAWING - DETAILED, COLOURED RENDERED VERSION

HELPFUL LINK

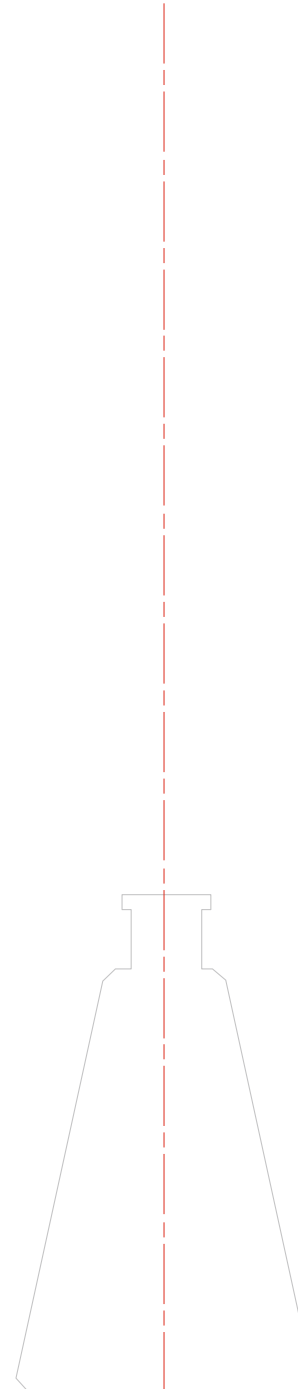
This section is a large empty box for the student's work. It contains a 'HELPFUL LINK' label with a red arrow pointing to a QR code.

EXPLODED DRAWING

A disassembled perfume dispenser is shown opposite (Dia A). An assembled version is Dia B.
You are to produce a, colour rendered, exploded drawing of the Dispenser, in the space below.

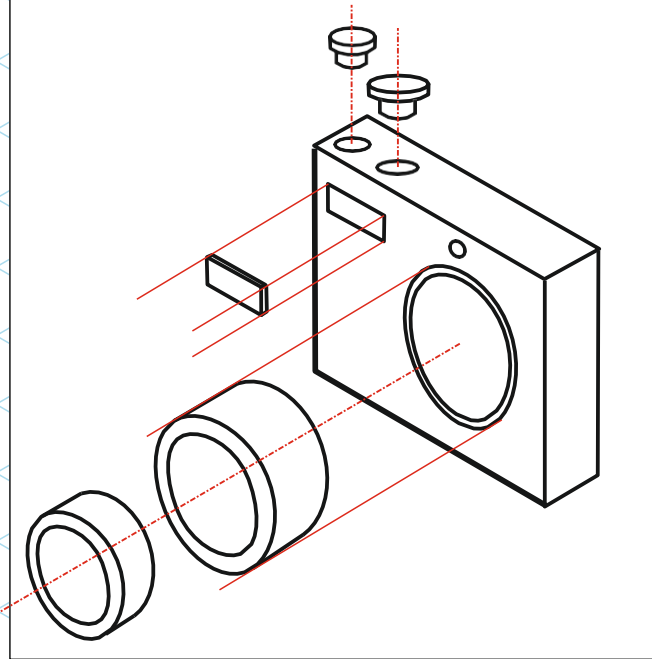


HELPFUL LINK

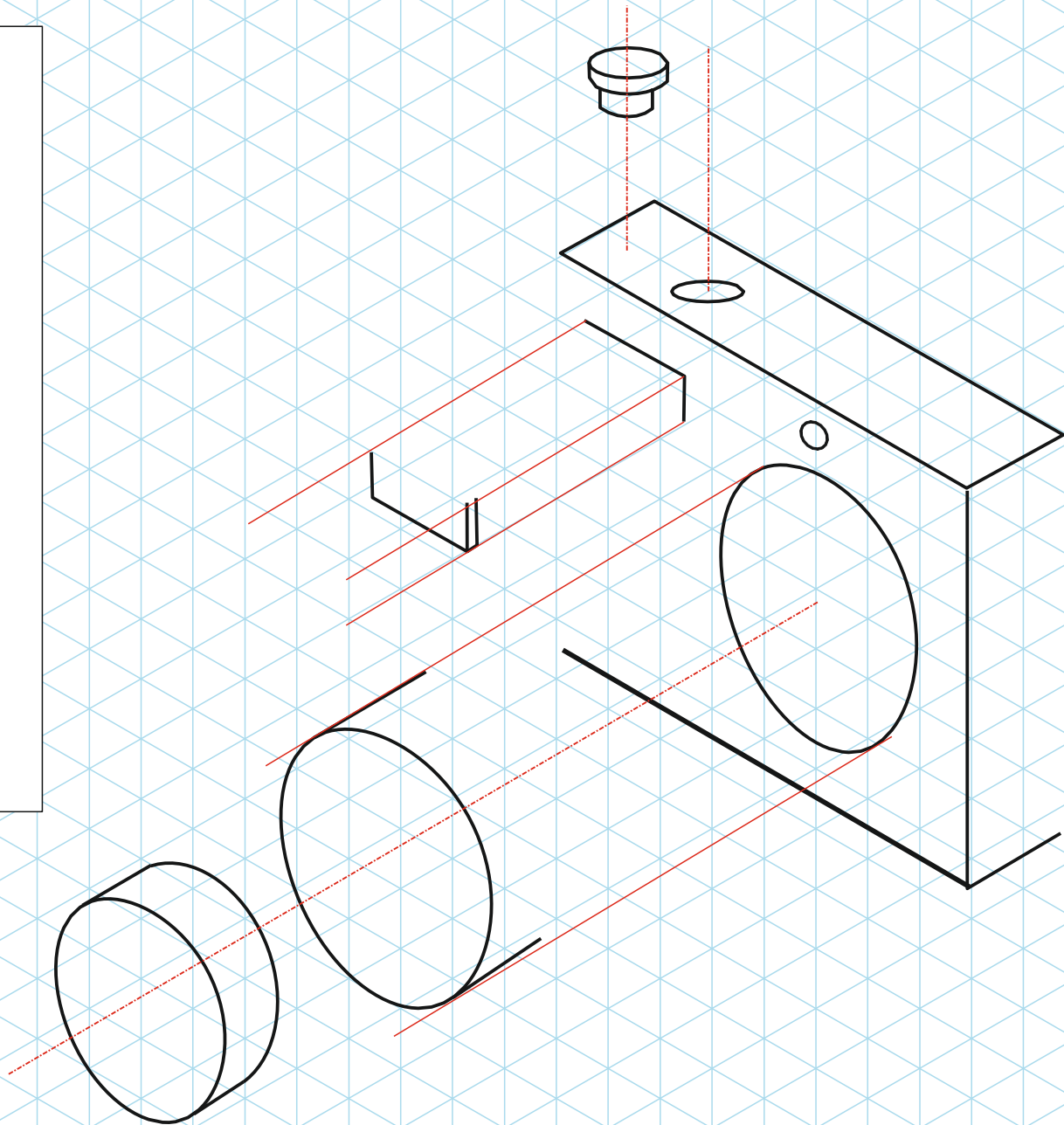


EXPLODED DRAWING USING ISOMETRIC PAPER

**COMPLETE THE ISOMETRIC
DRAWING OF A SIMPLE
CAMERA, BY ADDING THE
MISSING LINES / PARTS.
(Answer seen below)**

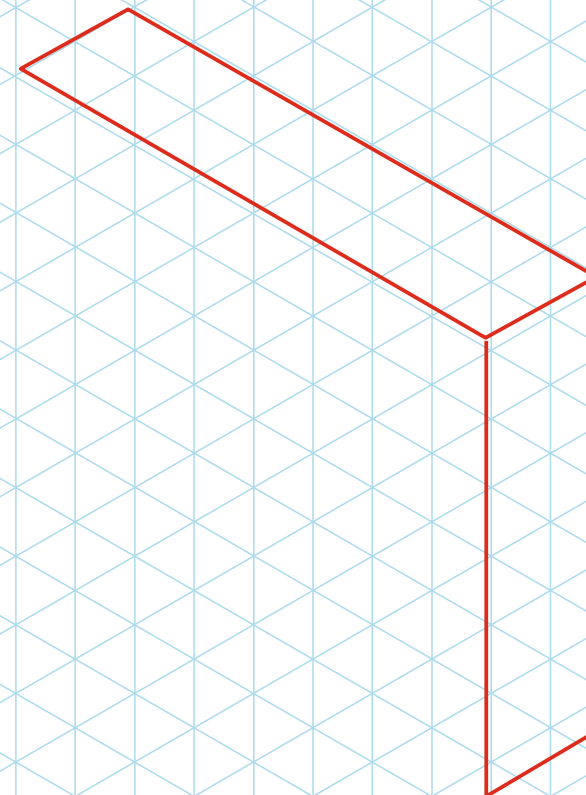
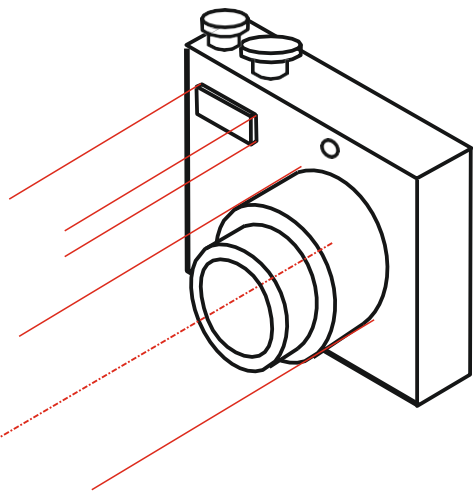


HELPFUL LINK



EXPLODED DRAWING USING ISOMETRIC PAPER

DRAW AN EXPLODED VIEW OF THE CAMERA SHOWN BELOW OR ONE OF YOUR OWN DESIGN. THE STARTING POINT IS ALREADY DRAWN ON THE ISOMETRIC PAPER.



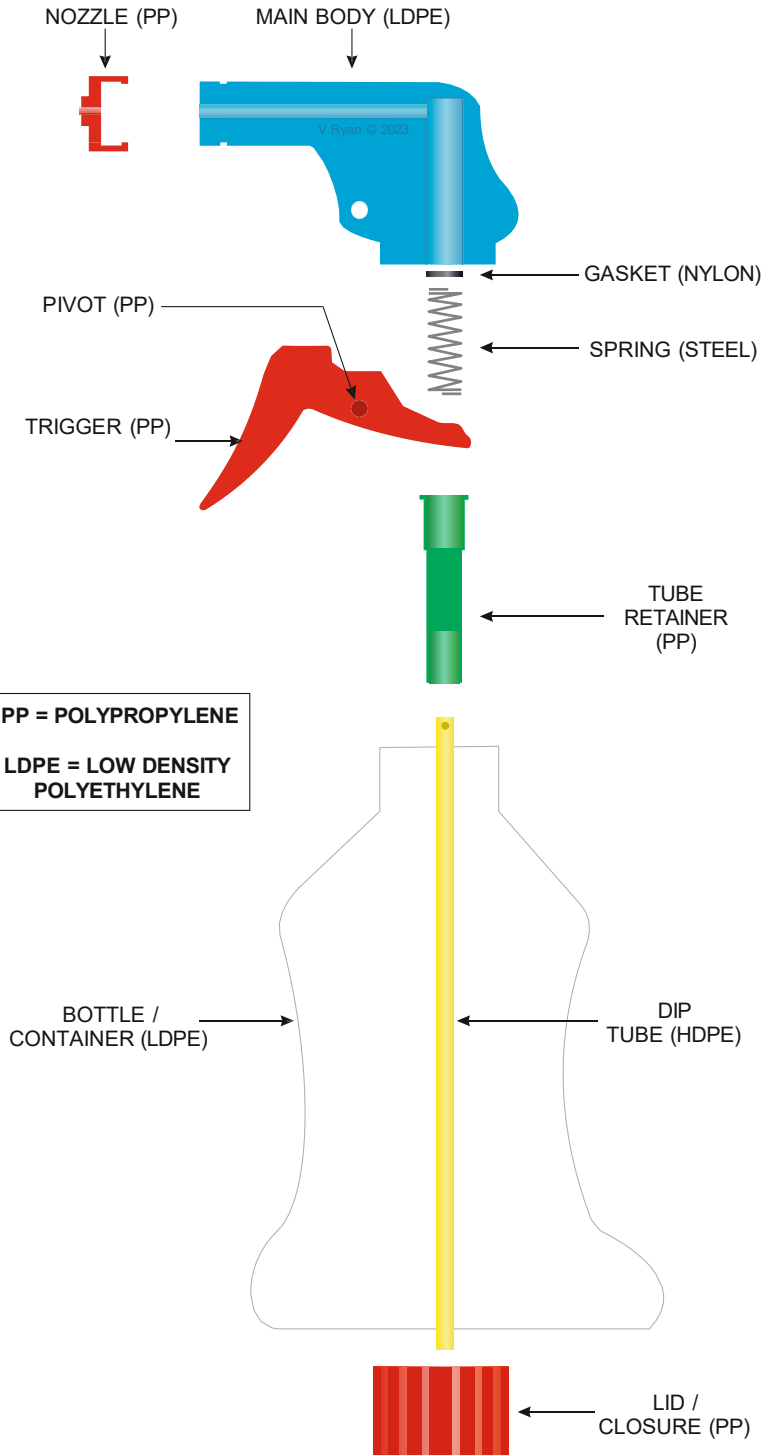
HELPFUL LINK



HELPFUL LINK



DETAILED - EXPLODED VIEW



QUESTION

In the space below, draw an exploded view of the trigger action spray bottle. You can choose to draw a 'detailed exploded view OR an outline exploded view. Add labels identifying each part. (Please note - more marks will be awarded for the detailed view).
Detailed view 20 marks - Outline view 10 marks

OUTLINE - EXPLODED VIEW

