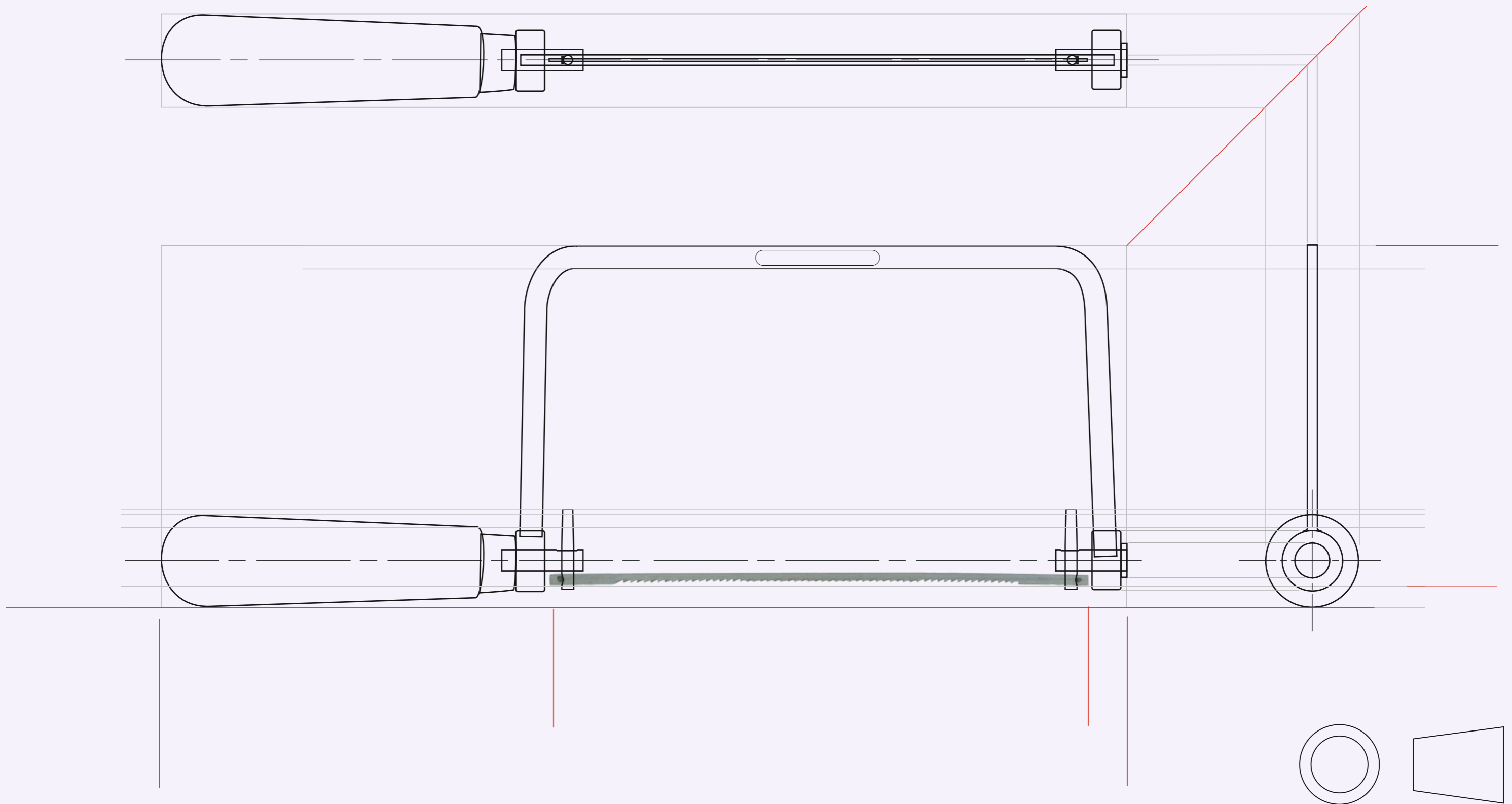


# THIRD ANGLE ORTHOGRAPHIC DRAWING

WORLD ASSOCIATION OF TECHNOLOGY TEACHERS <https://www.facebook.com/groups/254963448192823/> technologystudent.com © 2023 V.Ryan © 2023

## EXERCISE BOOK TWO

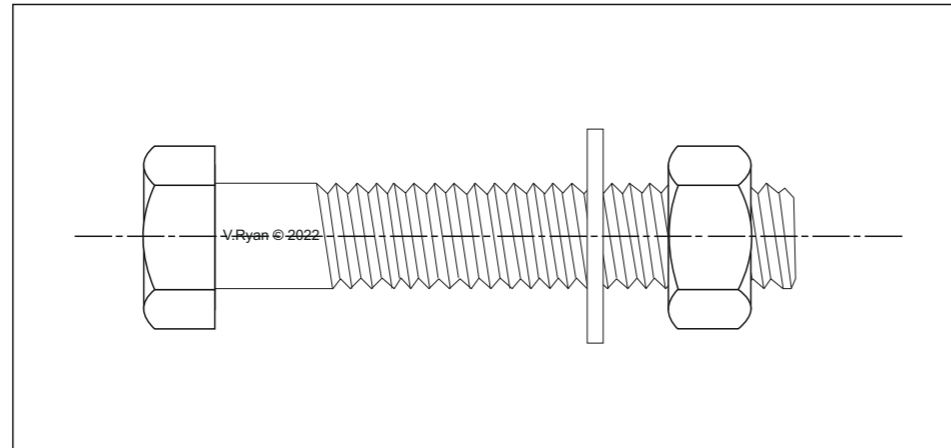


WORLD ASSOCIATION OF TECHNOLOGY TEACHERS <https://www.facebook.com/groups/254963448192823/> technologystudent.com © 2023 V.Ryan © 2023

# THIRD ANGLE ORTHOGRAPHIC DRAWING

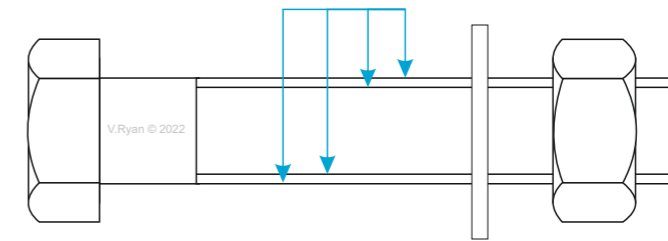
**HELPFUL LINKS:** [https://technologystudent.com/despro\\_flsh/third11.html](https://technologystudent.com/despro_flsh/third11.html)

BELOW IS A MACHINE BOLT DRAWN TO ITS EXACT SIZE (SCALE 1:1)



**THERE IS NO NEED TO DRAW EVERY INDIVIDUAL THREAD OF THE MACHINE SCREW.  
See below.**

**NOTICE HOW THE THREAD OF THE MACHINE BOLT BELOW, HAS BEEN DRAWN. THIS IS THE CORRECT TECHNIQUE AND IT IS EASIER THAN DRAWING EACH INDIVIDUAL THREAD**



IN THE SPACE BELOW, DRAW THE MACHINE BOLT TO A SCALE OF 2:1



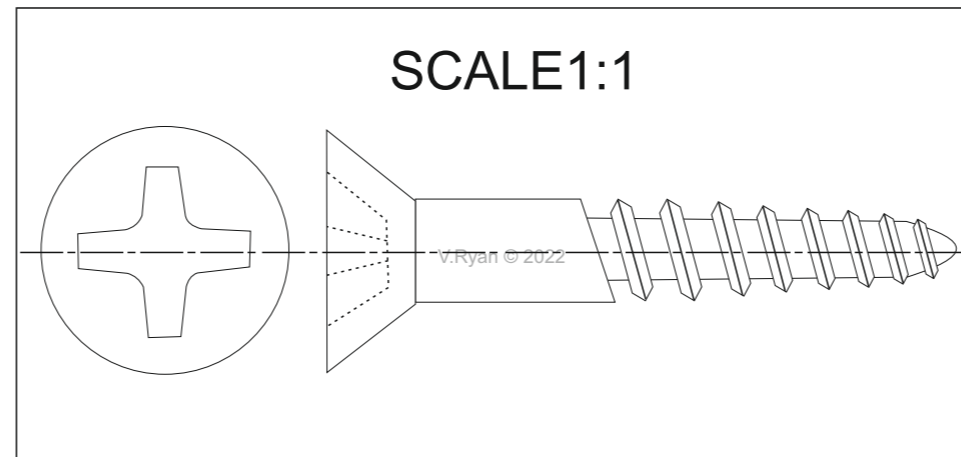
HELPFUL LINK



# THIRD ANGLE ORTHOGRAPHIC DRAWING

**HELPFUL LINKS:** [https://technologystudent.com/despro\\_flsh/third11.html](https://technologystudent.com/despro_flsh/third11.html)

BELOW IS A WOOD SCREW DRAWN TO ITS EXACT SIZE (SCALE 1:1)



IN THE SPACE BELOW, DRAW THE WOOD SCREW TO A SCALE OF 2:1

HELPFUL LINK



SCALE 2:1

A large rectangular box for drawing the wood screw at a scale of 2:1. A horizontal dashed line is drawn across the middle of the box to indicate the centerline for the drawing.

# THIRD ANGLE ORTHOGRAPHIC DRAWING - TYPICAL COPING SAW

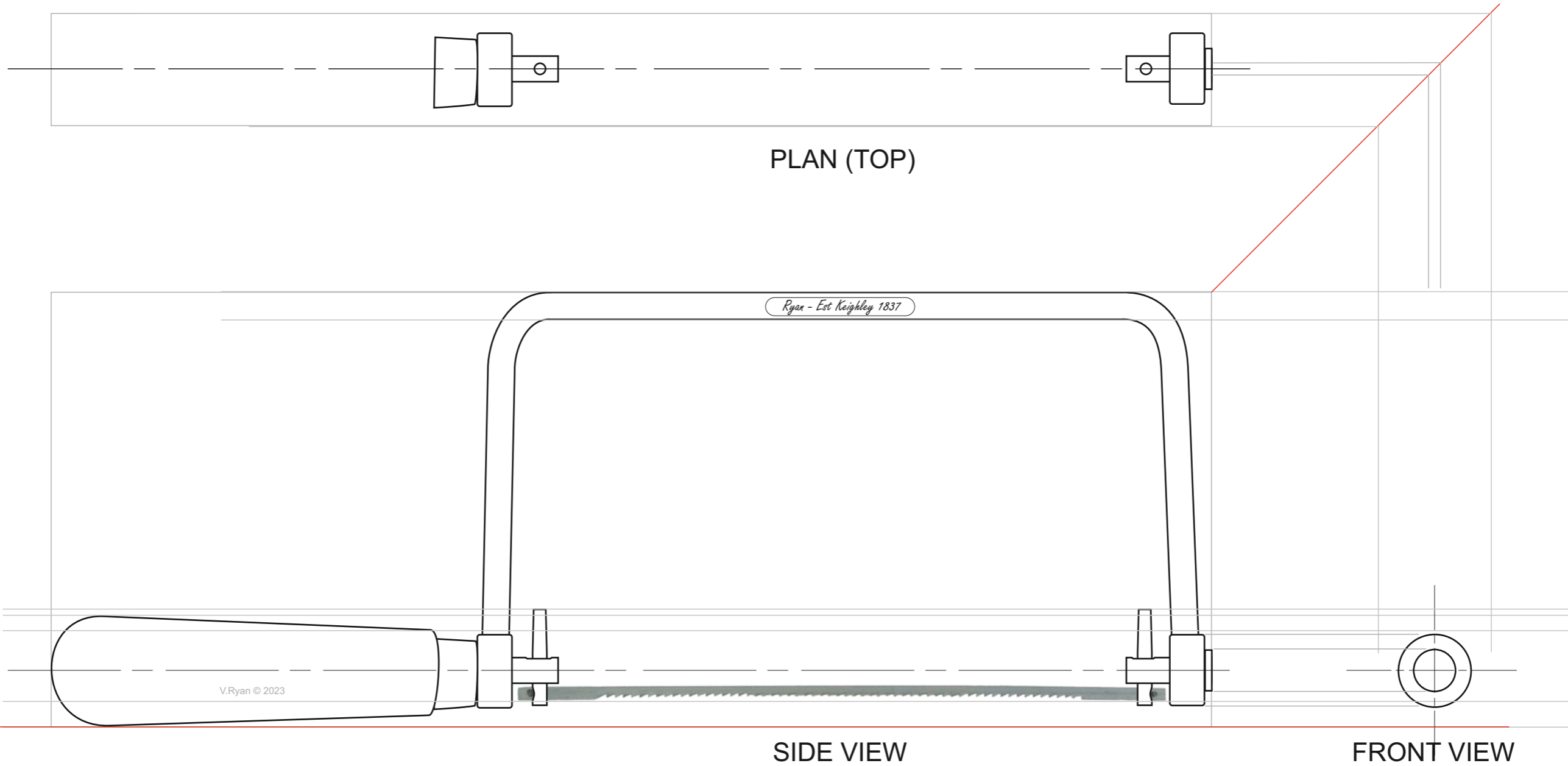
WORLD ASSOCIATION OF TECHNOLOGY TEACHERS <https://www.facebook.com/groups/254963448192823/> [technologystudent.com](https://www.technologystudent.com) © 2023 V.Ryan © 2023

HELPFUL LINKS: [https://technologystudent.com/despro\\_flsh/third12.html](https://technologystudent.com/despro_flsh/third12.html)

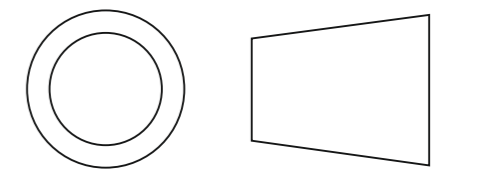
HELPFUL LINK



**COMPLETE THE THIRD ANGLE ORTHOGRAPHIC PROJECTION OF THE COPING SAW. ADD EIGHT DIMENSIONS ACROSS THE THREE VIEWS. (You were advised to study and handle a coping saw)**  
Take the measurements / dimensions from the copying saw you have been given to study.



BASE LINE



THIRD ANGLE PROJECTION

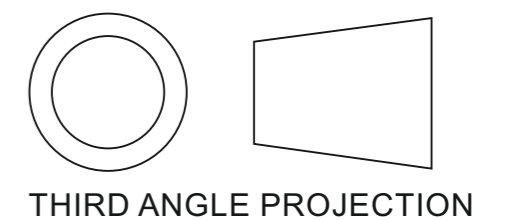
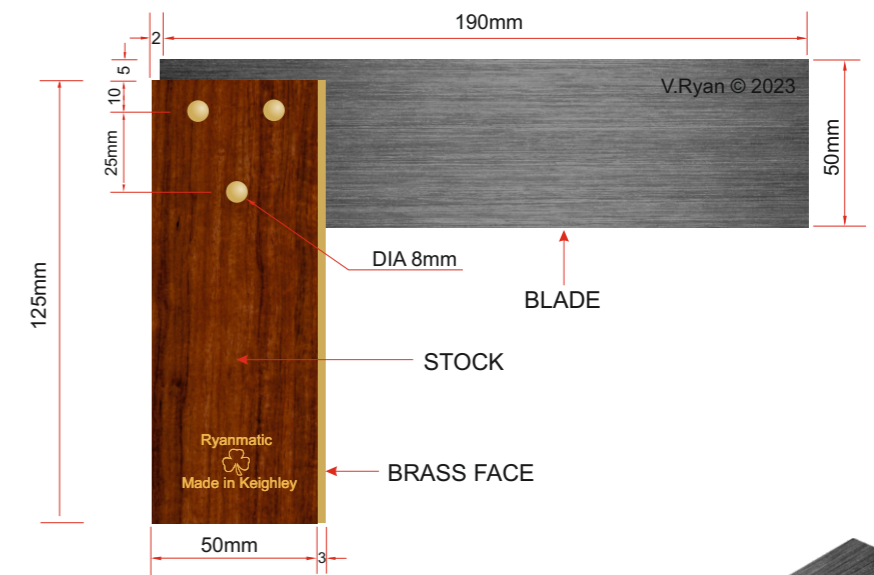
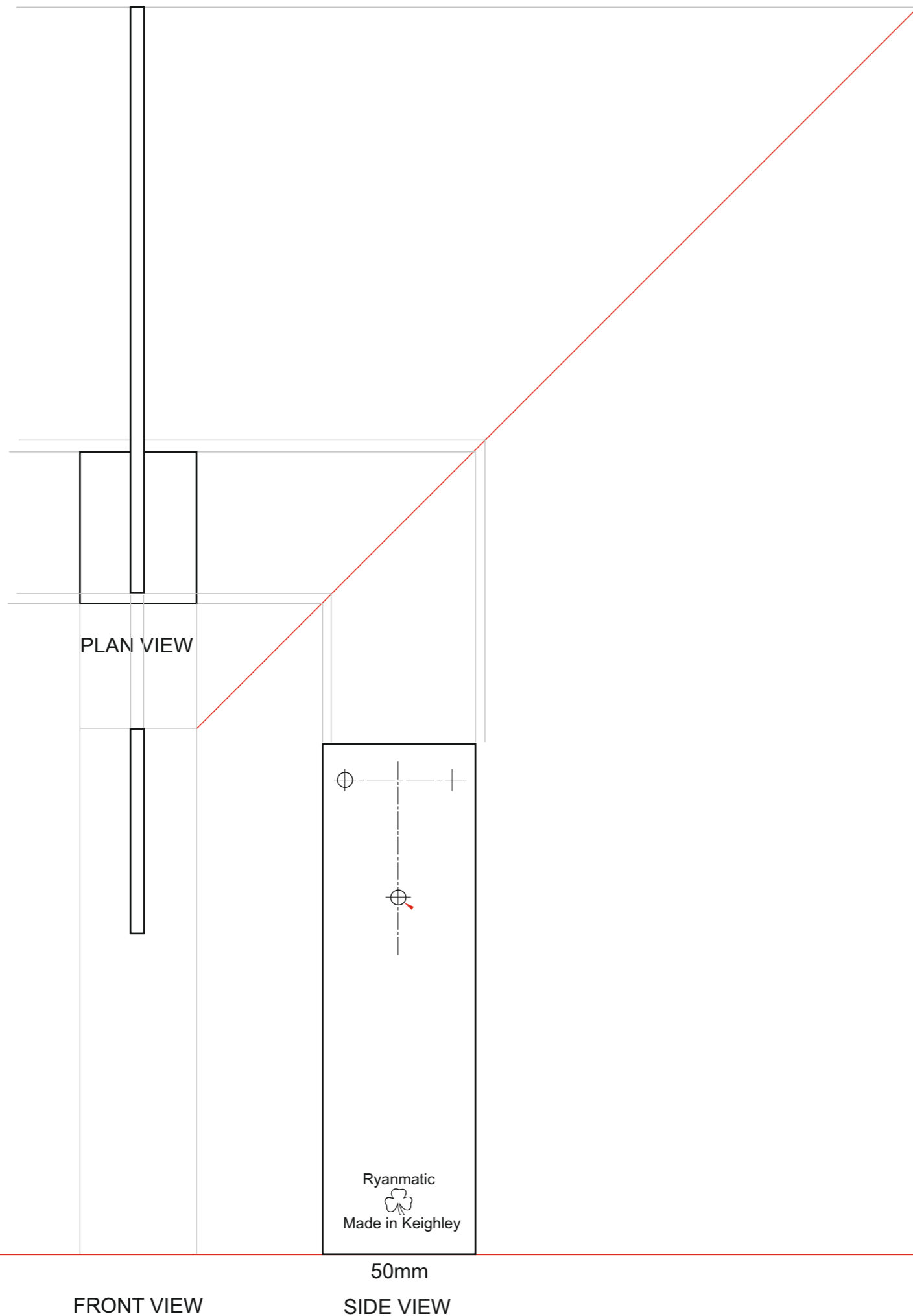
# THIRD ANGLE ORTHOGRAPHIC DRAWING - TYPICAL WOODWORKING TRY SQUARE

**HELPFUL LINKS:** [https://technologystudent.com/despro\\_f1sh/third13.html](https://technologystudent.com/despro_f1sh/third13.html)

**COMPLETE THE THIRD ANGLE ORTHOGRAPHIC PROJECTION OF THE WOODWORKERS TRY SQUARE. ADD AT LEAST EIGHT DIMENSIONS**  
 (You are advised to study and handle a woodworkers try square)

**Take the measurements / dimensions from the try square you have been given to study.**

HELPFUL LINK



THIRD ANGLE PROJECTION

# THIRD ANGLE ORTHOGRAPHIC DRAWING - TYPICAL HAND DRILL

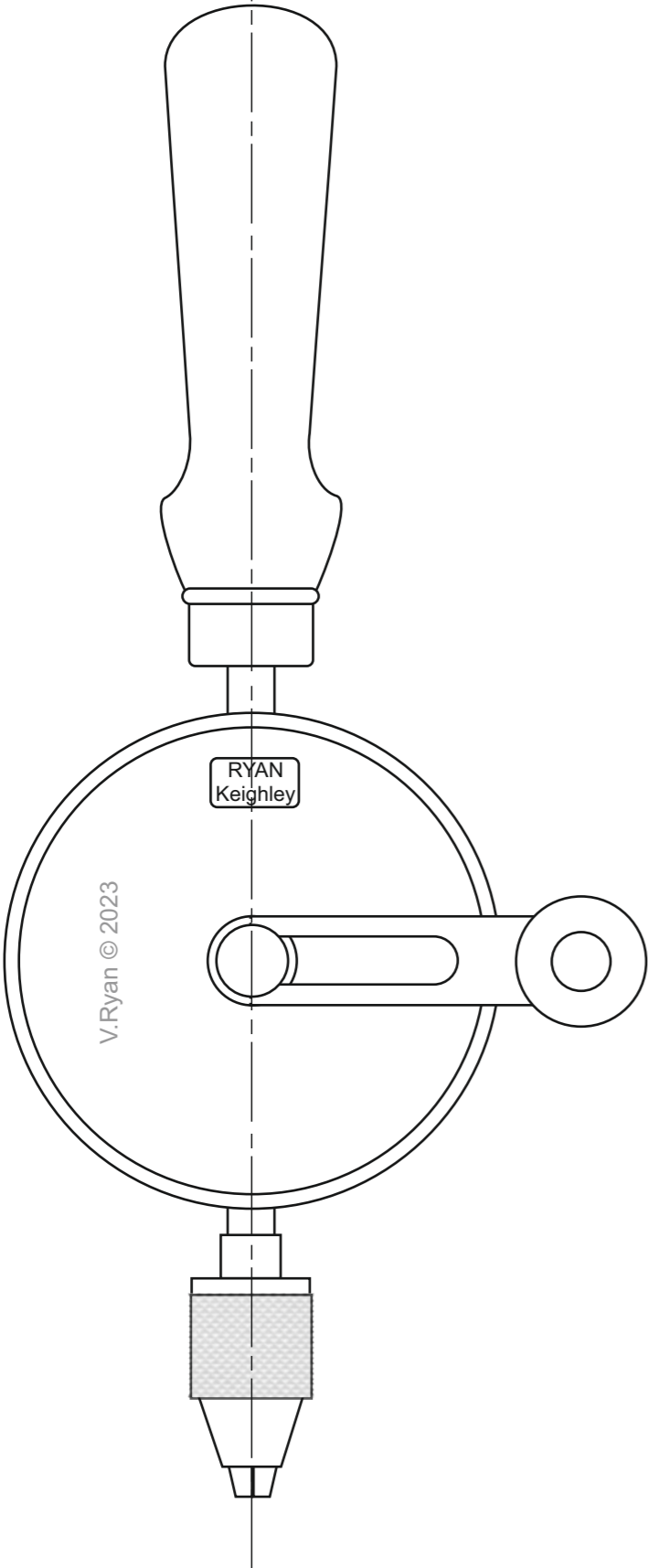
**HELPFUL LINKS:** [https://technologystudent.com/despro\\_f1sh/third14.html](https://technologystudent.com/despro_f1sh/third14.html)

HELPFUL LINK

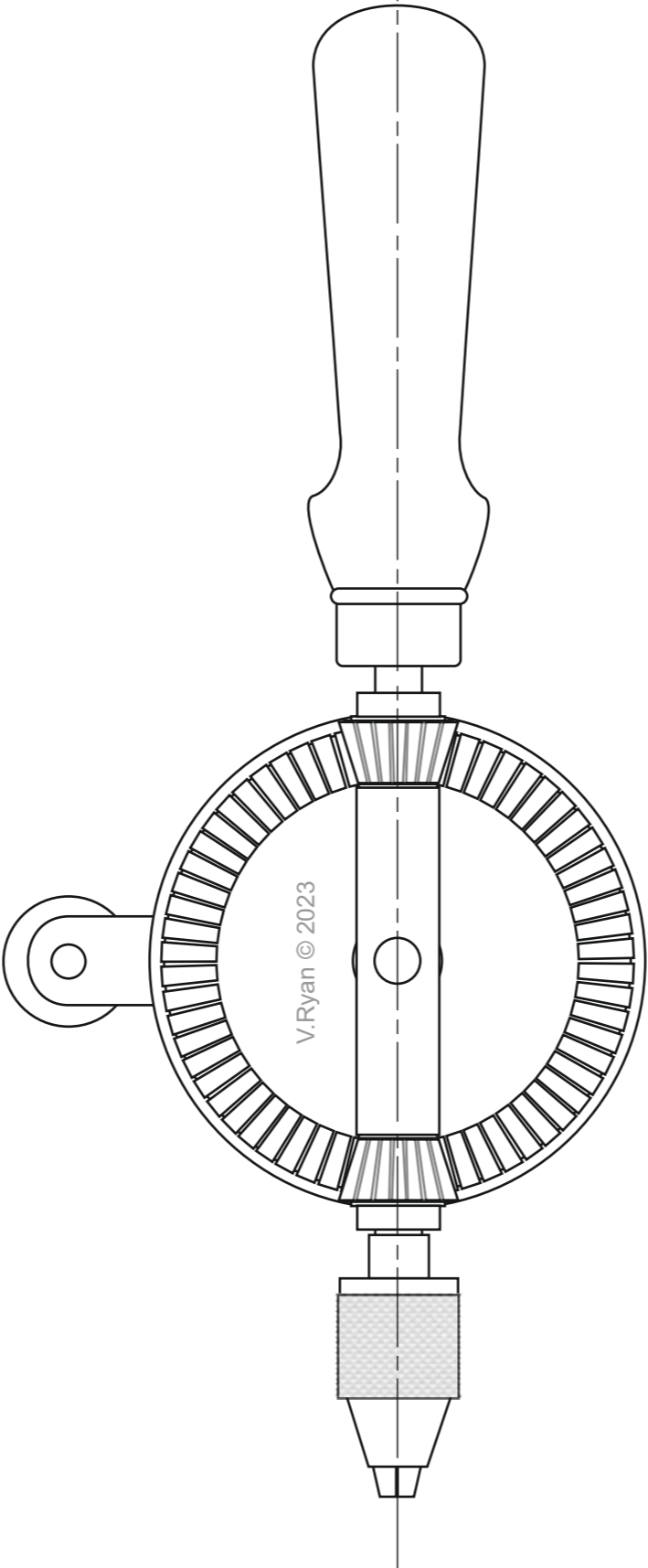


**THREE VIEWS OF A TYPICAL HAND DRILL ARE SHOWN BELOW. COMPLETE THE SIDE VIEW BY ADDING THE MISSING PARTS. ADD EIGHT DIMENSIONS, ACROSS ALL THREE VIEWS. SELECT ONE OF THE VIEWS AND APPLY COLOUR AND SHADE.**  
(You are advised to study and handle a hand drill). Take the measurements / dimensions from the hand drill you have been given to study.

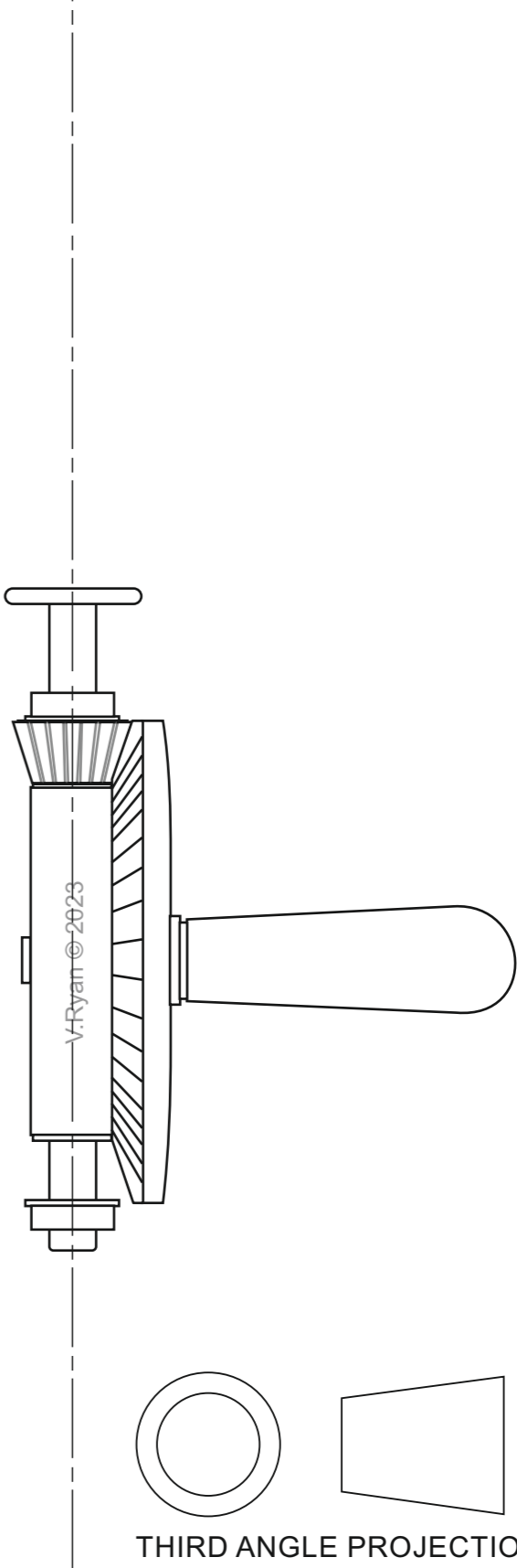
**FRONT VIEW**



**BACK VIEW**



**SIDE VIEW**



THIRD ANGLE PROJECTION

# THIRD ANGLE ORTHOGRAPHIC DRAWING - TYPICAL G CRAMP

WORLD ASSOCIATION OF TECHNOLOGY TEACHERS

<https://www.facebook.com/groups/254963448192823/>

technologystudent.com © 2023

V.Ryan © 2023

HELPFUL LINK



HELPFUL LINKS: [https://technologystudent.com/despro\\_fish/third15.html](https://technologystudent.com/despro_fish/third15.html)

THREE VIEWS OF A TYPICAL G GRAMP ARE SHOWN BELOW. COMPLETE THE SIDE VIEW AND PLAN VIEW BY ADDING THE MISSING PARTS. ADD SIX DIMENSIONS, ACROSS ALL THREE VIEWS. (You are advised to study and handle a G Cramp). Use the correct drawing technique for the thread. Take the measurements / dimensions from the G Cramp you have been given to study.

