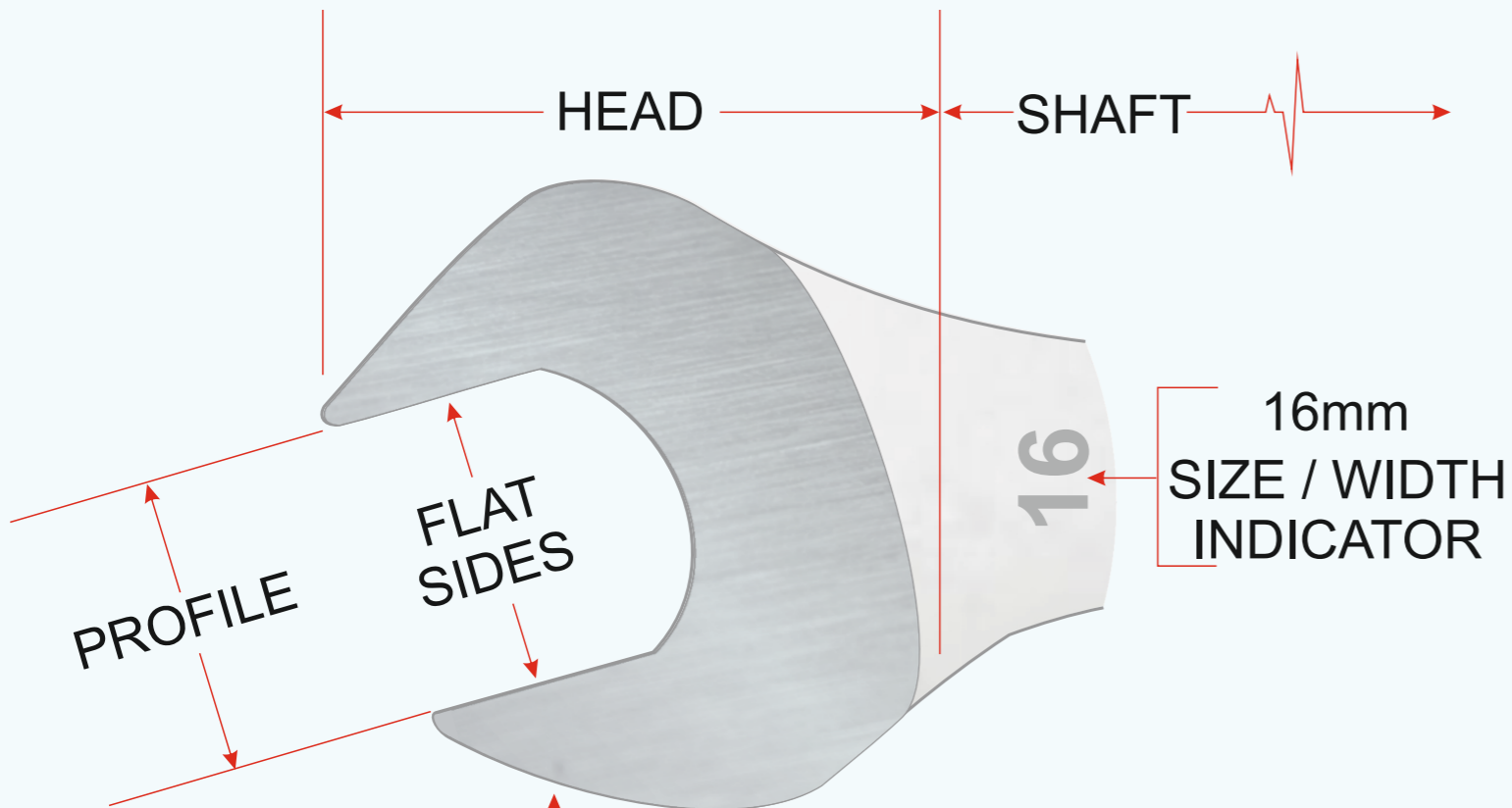


# OPEN ENDED SPANNER / WRENCH

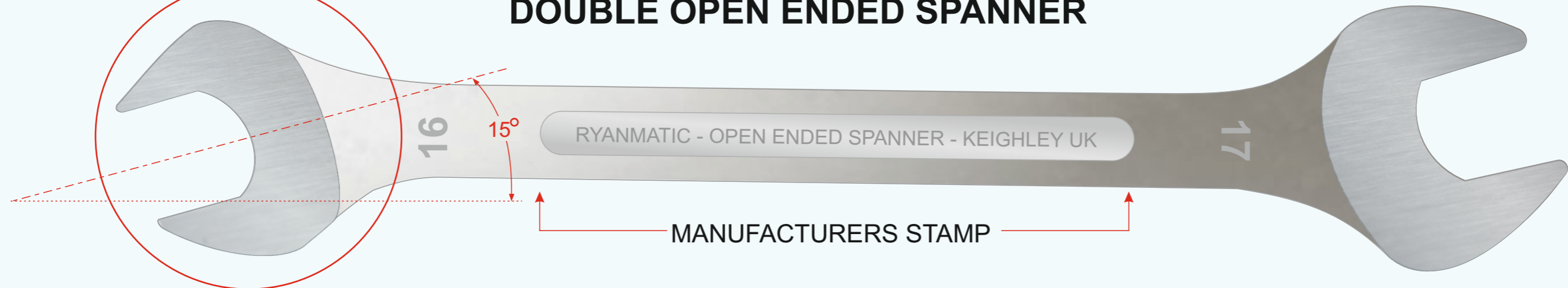


An open ended spanner, sometimes called a wrench, has a head with an 'open profile', normally at each end. Each of the profiles are different sizes and have flat, parallel sides. The head is normally angled at 15 degrees, which makes the rotation of the spanner easier. The spanner shown here is a double open ended spanner. Single open ended spanners are also available.

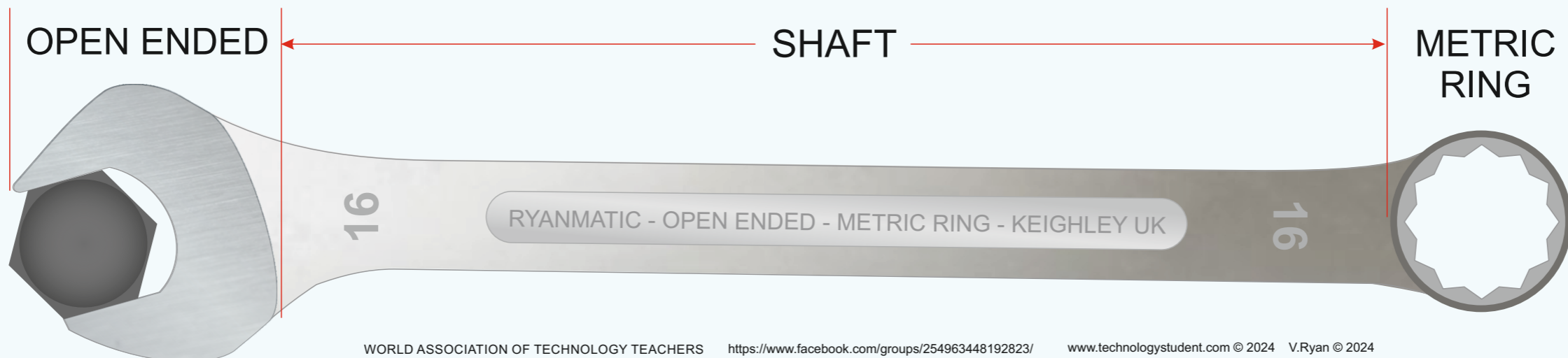
The second spanner is a combination spanner with a metric ring and open ended heads

HELPFUL LINK: [https://www.technologystudent.com/equip\\_fish/spanner2.html](https://www.technologystudent.com/equip_fish/spanner2.html)

## DOUBLE OPEN ENDED SPANNER



## OPEN ENDED, METRIC RING, COMBINATION SPANNER



EACH END OF A COMBINATION SPANNER IS NORMALLY THE SAME SIZE

HELPFUL LINK

