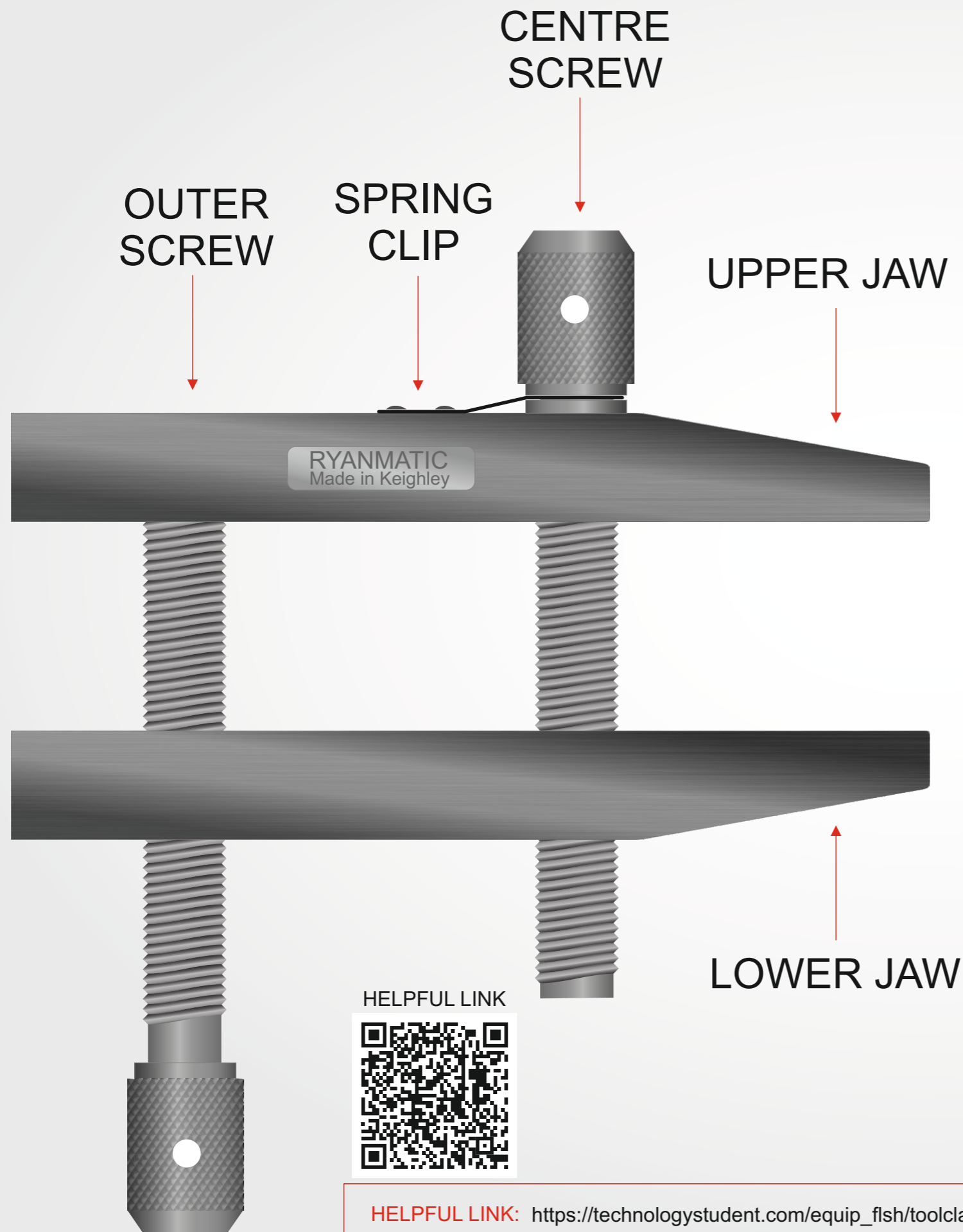


# TOOLMAKERS' CLAMP

World Association of Technology Teachers <https://www.facebook.com/groups/254963448192823/> <https://www.technologystudent.com> V.Ryan © 2023



HELPFUL LINK: [https://technologystudent.com/equip\\_fish/toolclamp1.html](https://technologystudent.com/equip_fish/toolclamp1.html)

