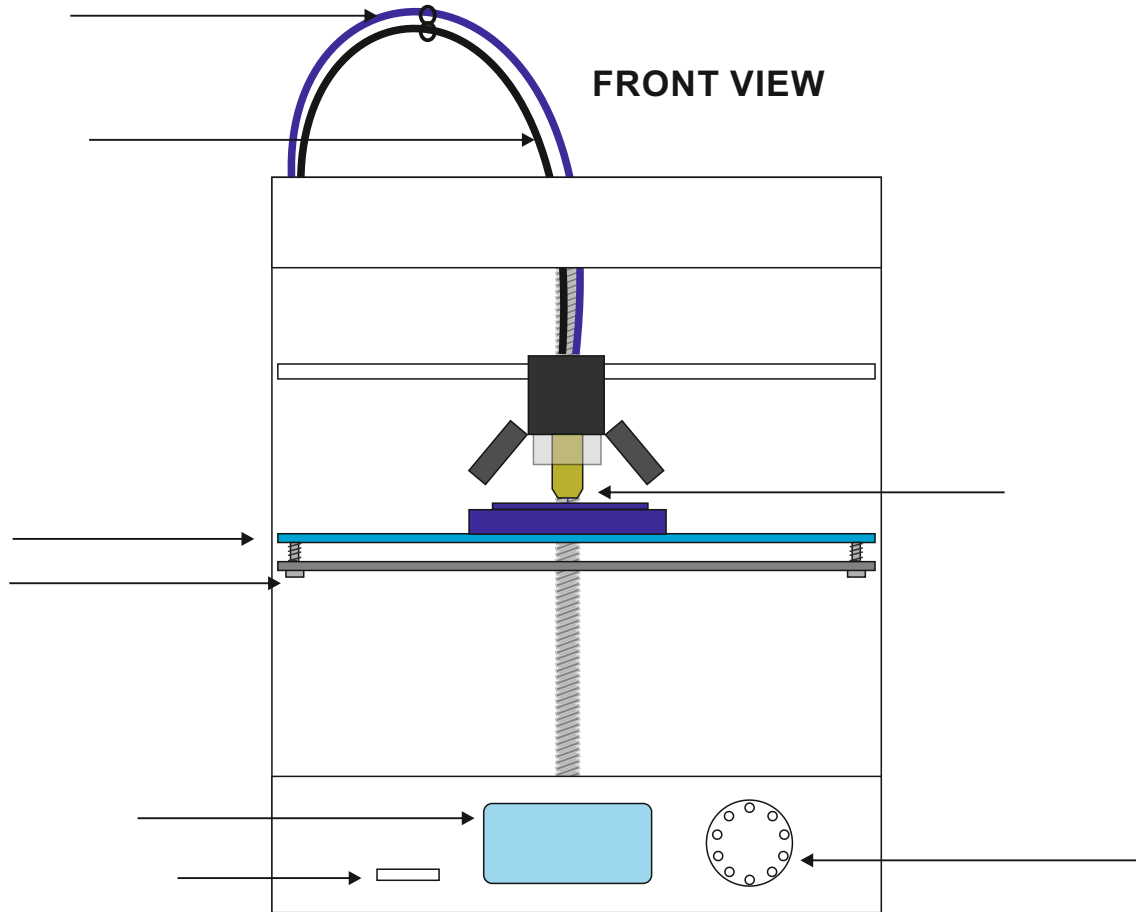


FILAMENT SPOOL PRINTERS - EXAMINATION QUESTIONS

WORLD ASSOCIATION OF TECHNOLOGY TEACHERS <https://www.facebook.com/groups/254963448192823/> www.technologystudent.com © 2023 V.Ryan © 2023

HELPFUL LINKS: <https://technologystudent.com/cam/printer3d1.html>

1. Add the names of the parts of the 3D printer shown below, identified by the arrows.
8 marks



2. How do Filament 3D printers build a model? Use notes and / or diagrams to answer this question. **6 marks**

FILAMENT SPOOL PRINTERS - EXAMINATION QUESTIONS

WORLD ASSOCIATION OF TECHNOLOGY TEACHERS <https://www.facebook.com/groups/254963448192823/> www.technologystudent.com © 2023 V.Ryan © 2023

HELPFUL LINKS: <https://technologystudent.com/cam/printer3d1.html>

3. Describe the range of products being manufactured currently by 3D printers. What will 3D printers be capable of manufacturing in the future (give some examples)? **6 marks**
