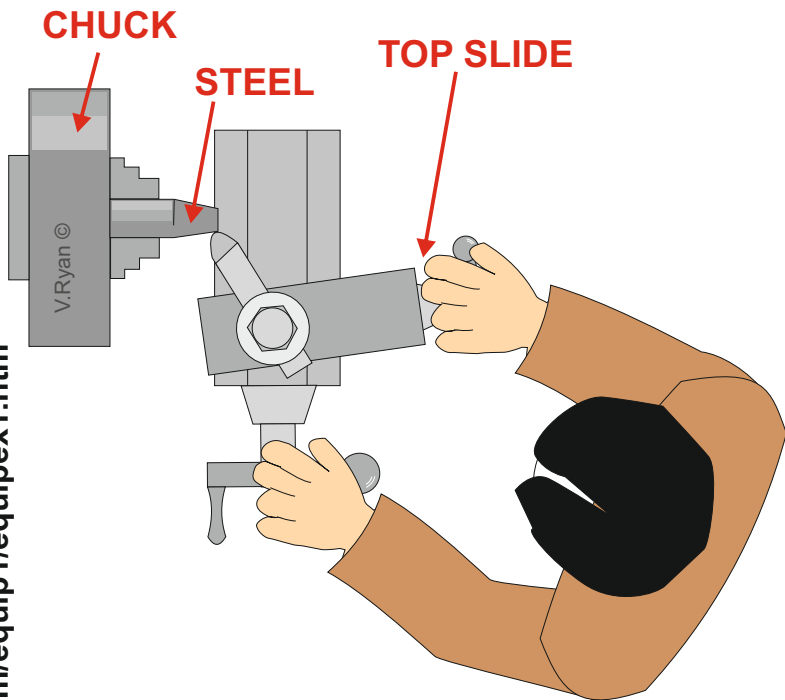


# THE CENTRE LATHE

www.technologystudent.com ©

## TURNING A SHORT TAPER



## TURNING A LONG TAPER

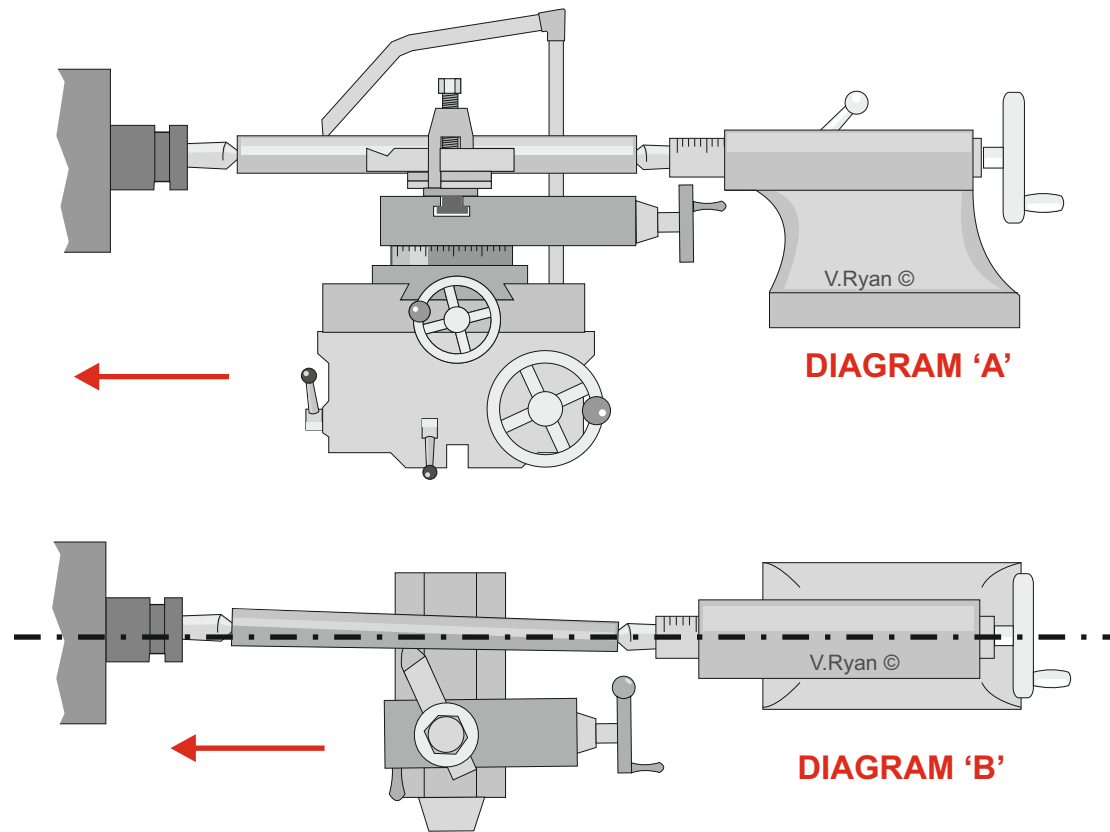


DIAGRAM 'A'

DIAGRAM 'B'

## LIVE CENTRE



## DEAD CENTRE



## SCALE ON THE TAILSTOCK

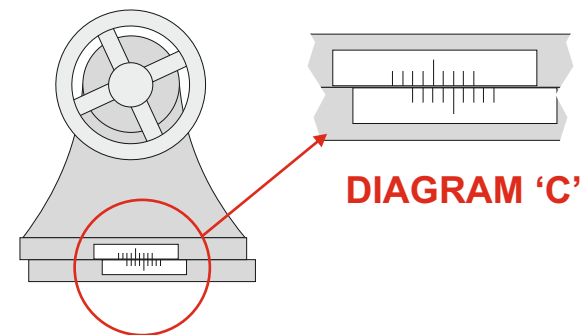


DIAGRAM 'C'

FOR MORE INFORMATION:  
<http://www.technologystudent.com/equip1/equipex1.htm>