

555 TIMER, RELAY AND DIODE

WORLD ASSOCIATION OF TECHNOLOGY TEACHERS <https://www.facebook.com/groups/254963448192823/> www.technologystudent.com © 2017 V.Ryan © 2017

V.Ryan © 2000 - 2017

On behalf of The World Association of Technology Teachers

W.A.T.T.



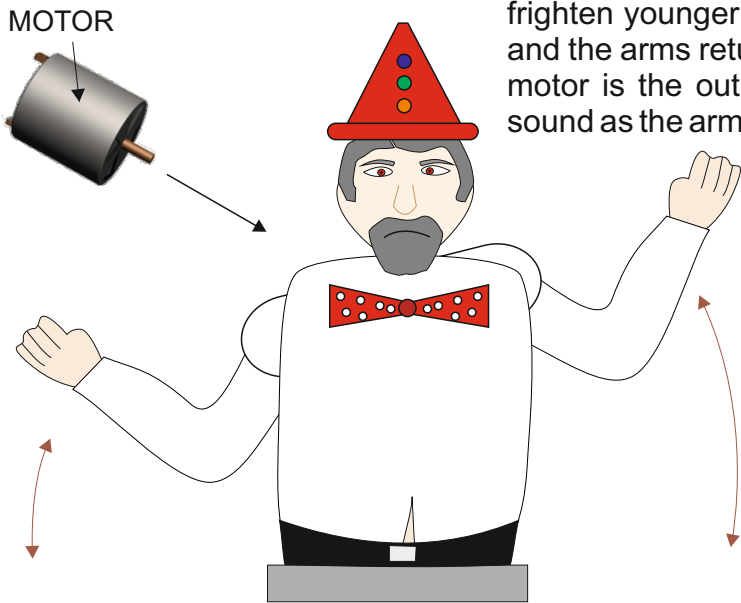
World Association of Technology Teachers

This exercise can be printed and used by teachers and students. It is recommended that you view the website (www.technologystudent.com) before attempting the design sheet .

THESE MATERIALS CAN BE PRINTED AND USED BY TEACHERS AND STUDENTS.
THEY MUST NOT BE EDITED IN ANY WAY OR PLACED ON ANY OTHER MEDIA INCLUDING WEB SITES AND INTRANETS.
NOT FOR COMMERCIAL USE.
THIS WORK IS PROTECTED BY COPYRIGHT LAW.
IT IS ILLEGAL TO DISPLAY THIS WORK ON ANY WEBSITE/MEDIA STORAGE OTHER THAN www.technologystudent.com

555 TIMER, RELAY AND DIODE

The Theme Park owner has commissioned a model clown. The aim is to frighten younger visitors. A motor inside the clown drives the arms up and the arms return to their original position when the motor is off. The motor is the output to a 555 timer circuit. The circuit also produces sound as the arms move.

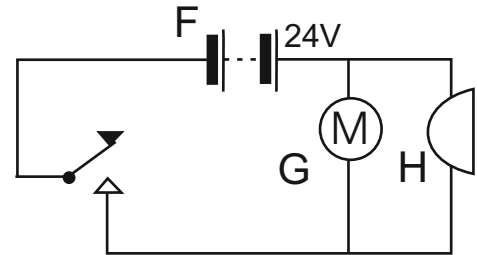
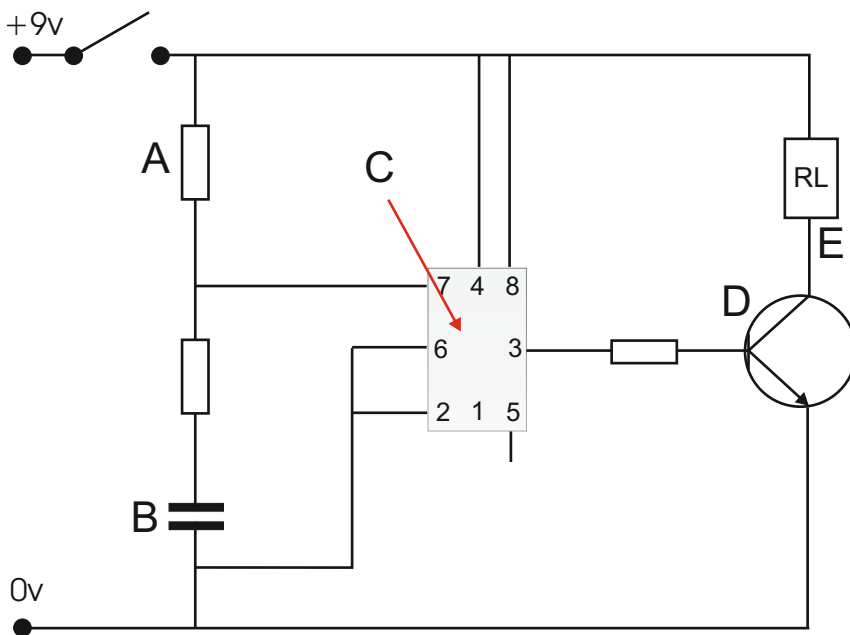


There are two types of 555 timer. What is the name of the 555 circuit shown below?

CIRCUIT NAME: _____

Label the components on the circuit diagram below (A TO G).

A: _____ B: _____ C: _____
 D: _____ E: _____ F: _____
 G: _____ H: _____



The relay is causing major problems because an important component is missing. Name the component and draw its symbol in the correct position on the circuit diagram above.

COMPONENT NAME: _____

What is the function of the component ?
