

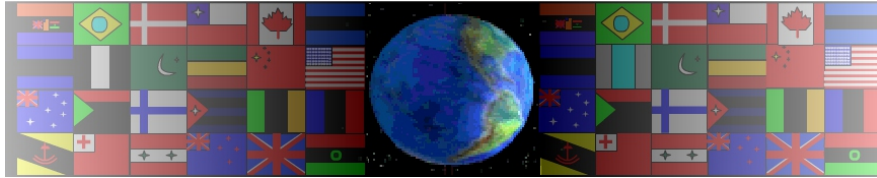
555 TIMER AND CAM EXAMINATION QUESTIONS

WORLD ASSOCIATION OF TECHNOLOGY TEACHERS <https://www.facebook.com/groups/254963448192823/> www.technologystudent.com © 2017 V.Ryan © 2017

V.Ryan © 2000 - 2017

On behalf of The World Association of Technology Teachers

W.A.T.T.

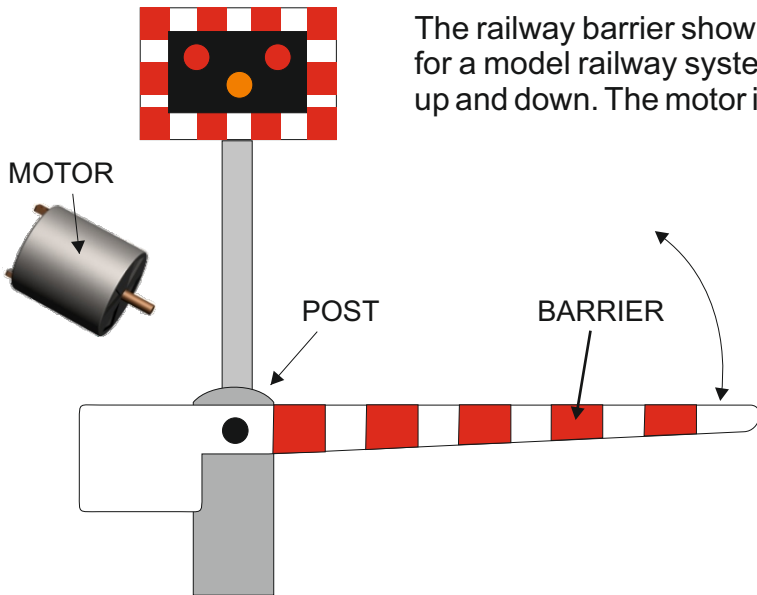


World Association of Technology Teachers

This exercise can be printed and used by teachers and students. It is recommended that you view the website (www.technologystudent.com) before attempting the design sheet .

THESE MATERIALS CAN BE PRINTED AND USED BY TEACHERS AND STUDENTS.
THEY MUST NOT BE EDITED IN ANY WAY OR PLACED ON ANY OTHER MEDIA INCLUDING WEB SITES AND INTRANETS.
NOT FOR COMMERCIAL USE.
THIS WORK IS PROTECTED BY COPYRIGHT LAW.
IT IS ILLEGAL TO DISPLAY THIS WORK ON ANY WEBSITE/MEDIA STORAGE OTHER THAN www.technologystudent.com

555 TIMER AND CAM EXAMINATION QUESTIONS



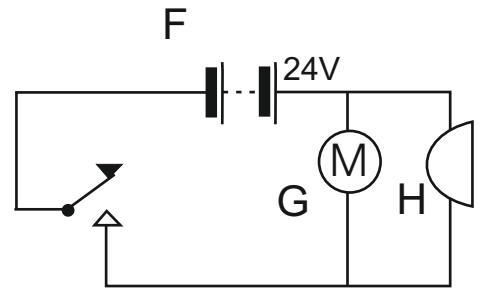
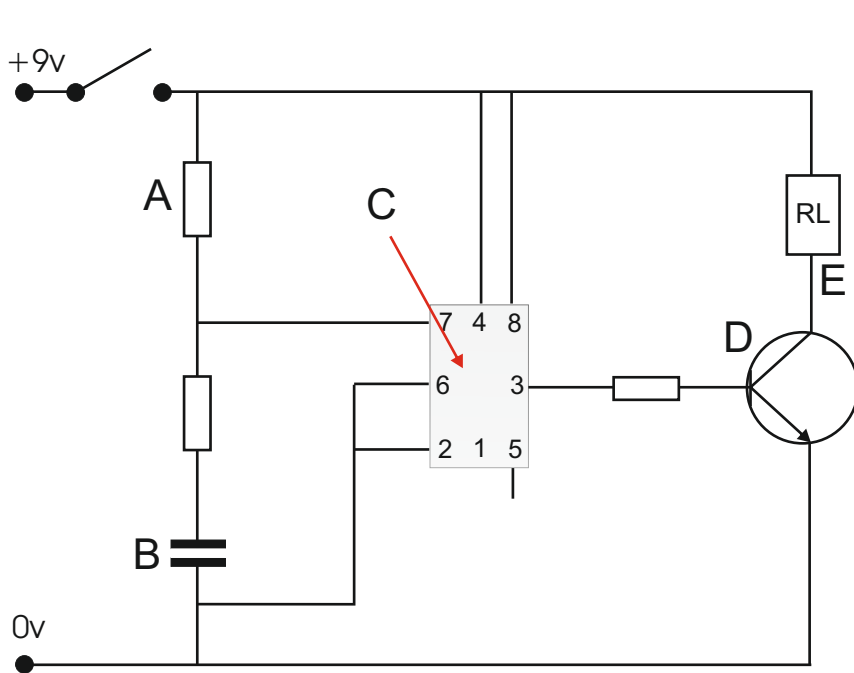
The railway barrier shown below has been designed and manufactured for a model railway system. The motor inside the post drives the barrier up and down. The motor is the output to a 555 timer circuit.

There are two types of 555 timer. What is the name of the 555 circuit shown below?

CIRCUIT NAME: _____

Label the components on the circuit diagram below (A TO G).

- A: _____ B: _____ C: _____
 D: _____ E: _____ F: _____
 G: _____ H: _____

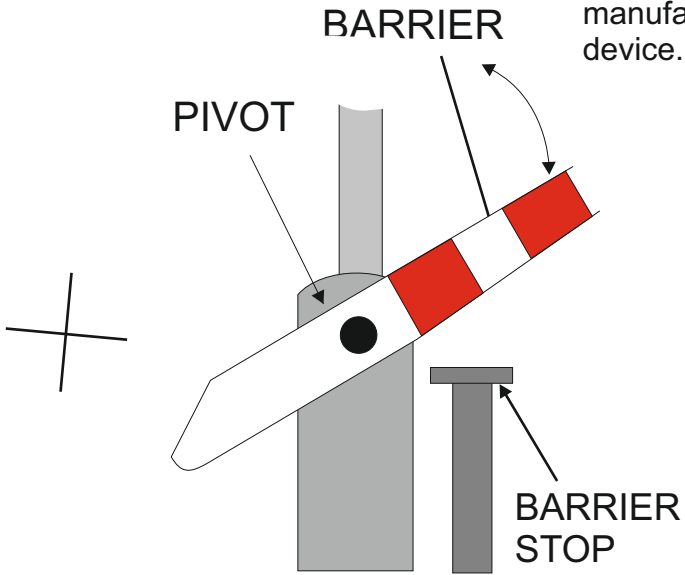


The relay is causing major problems because an important component is missing. Name the component and draw its symbol in the correct position on the circuit diagram above.

COMPONENT NAME: _____

What is the function of the component ?

A second version of the railway barrier has been manufactured. This is mechanically operated by a rotating device.



What is the function of the pivot ?

Draw the mechanical device on the diagram opposite.

Name the device and explain how it works.

NAME: _____

HOW IT WORKS: _____

What is the function of the barrier stop ?
