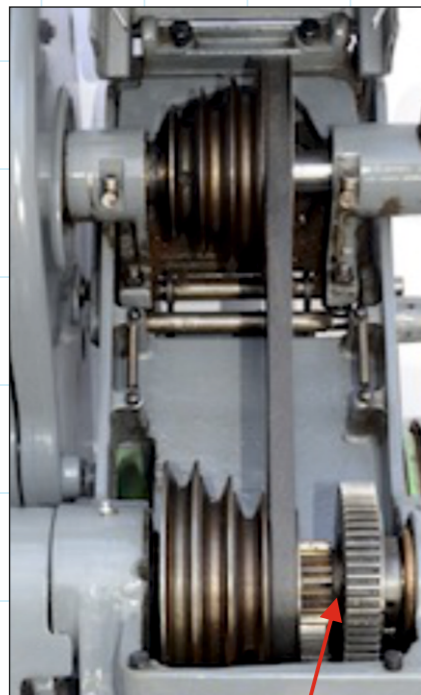


MAINTENANCE AND SAFETY OF MACHINES

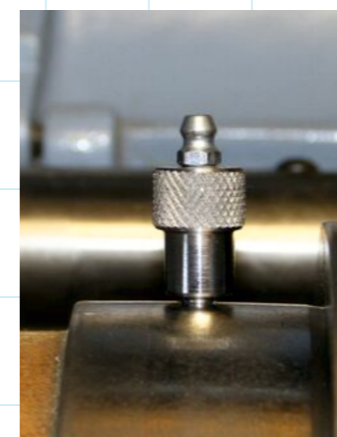
**DRIVE BELTS / GEARS...
CHECKED FOR DEFECTS**



**CORRECT OPERATION
OF STOP/START BUTTONS**

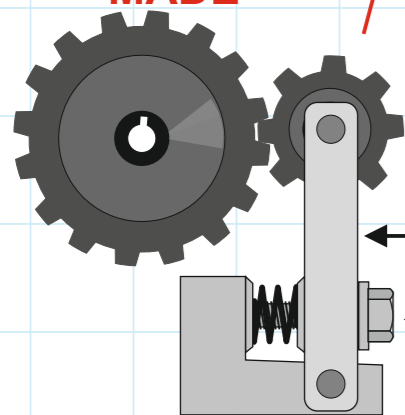


**GUARD CHECK
INCLUDING MICRO-SWITCH
OPERATION**



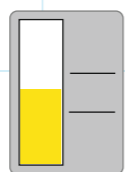
**GREASE FITTING
FEEDS GREASE
INTO IMPORTANT
BEARINGS**

**ADJUSTMENTS
MADE**



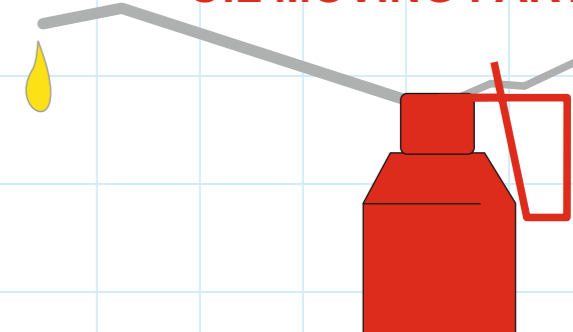
ADJUSTING
ARM
ADJUSTING
SCREW

OIL LEVEL



**MOVING AND SLIDING PARTS
CHECKED FOR CORRECT
WORKING ORDER**

OIL MOVING PARTS



**SPRAY OIL - PROTECTING
AND LUBRICATING SURFACES**



**GOGGLES CHECKED FOR DAMAGE
TO THE LENS**



**MAINTENANCE /SAFETY
RECORD**



**EMERGENCY STOP
CHECKED**

FOR YOUR ENGINEERING NEEDS
GO TO www.technologystudent.com

**COOLANT
LEVEL**



**CLEAN MACHINE
AFTER USE**

