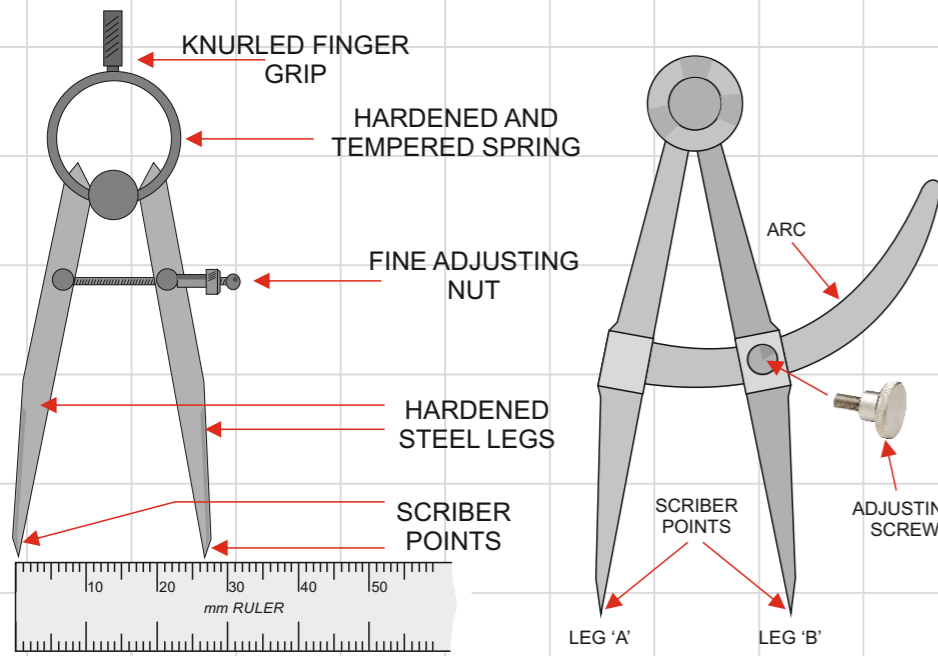
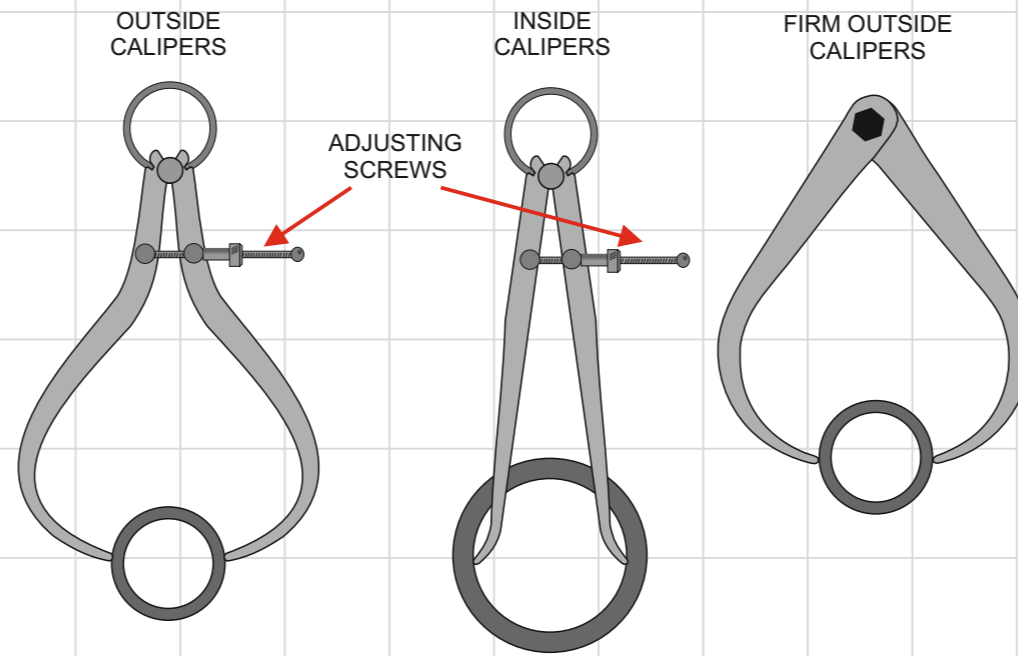


# ENGINEERING - COMMON MEASURING INSTRUMENTS

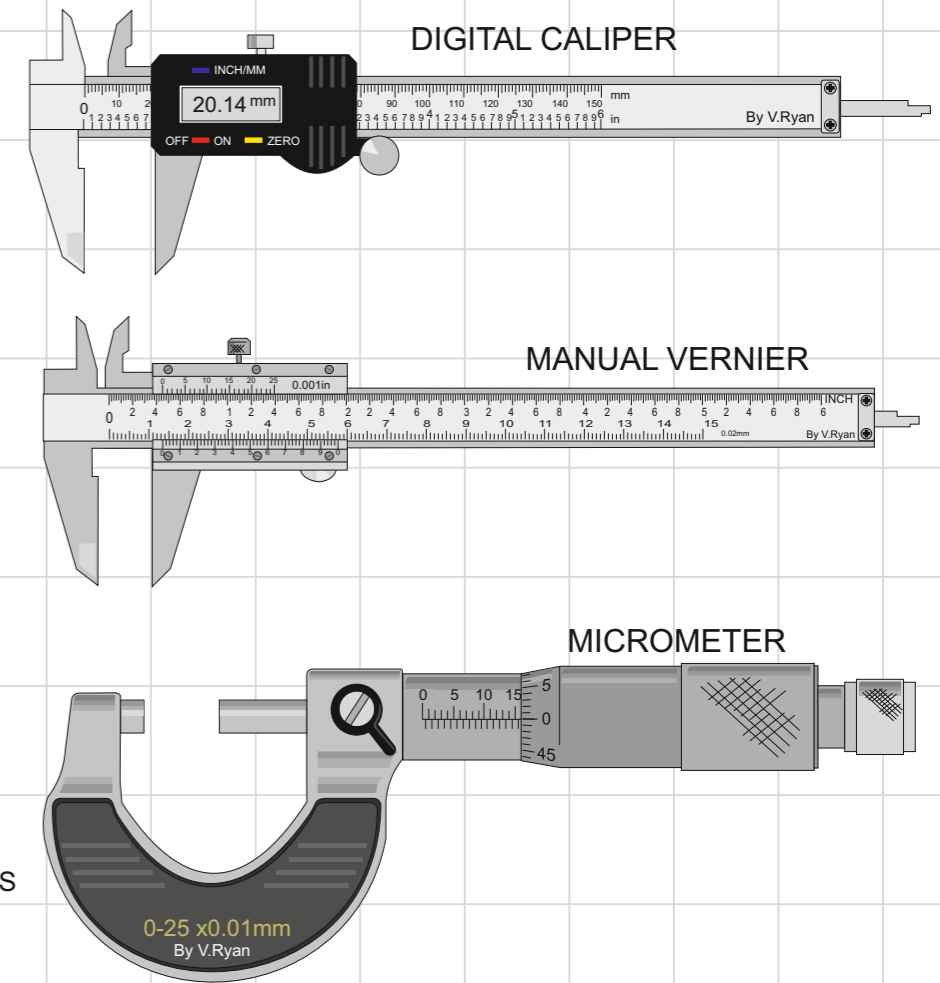
## SPRING DIVIDERS



## CALIPERS



## VERNIERS AND MICROMETERS



## ENGINEERS SPIRIT LEVEL

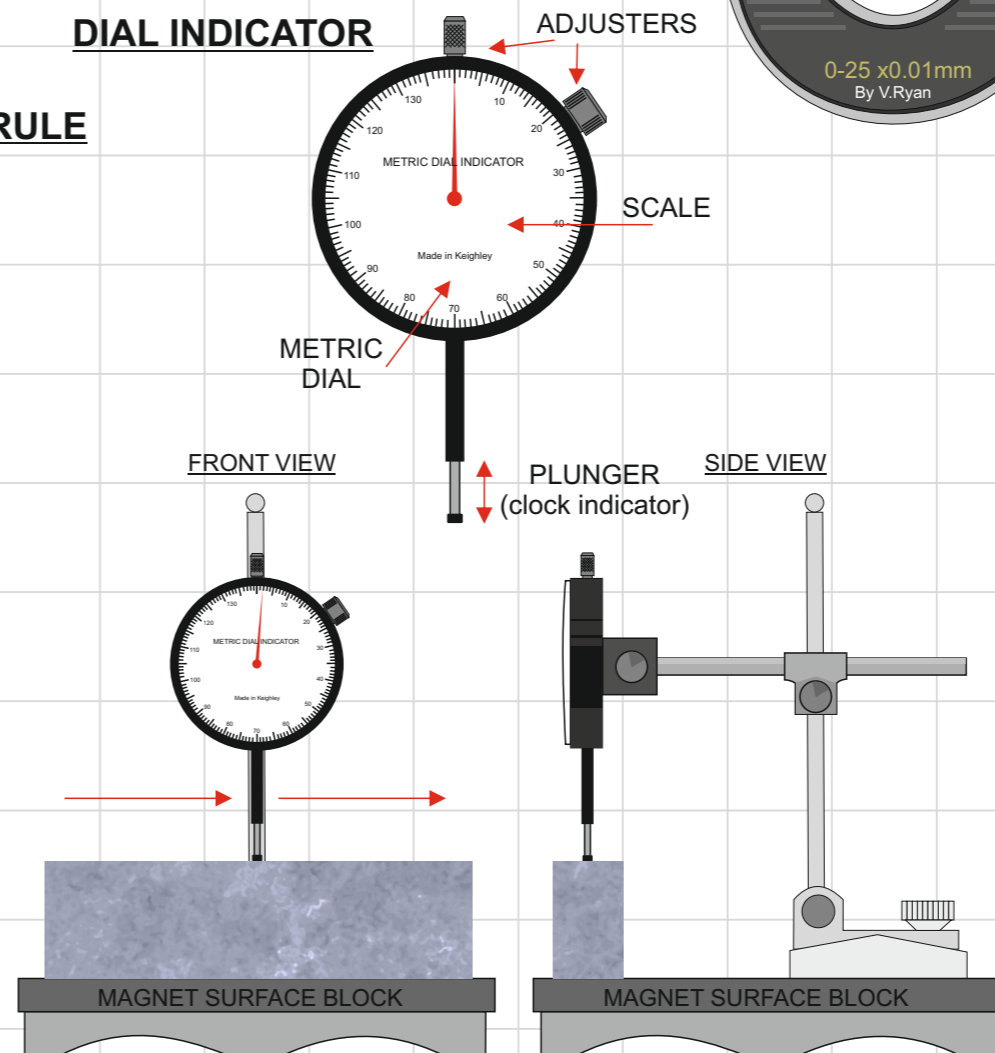


**FOR ENGINEERING**  
TRY THE INTERACTIVE MOBILE PDF APP SECTION  
OF [www.technologystudent.com](http://www.technologystudent.com)

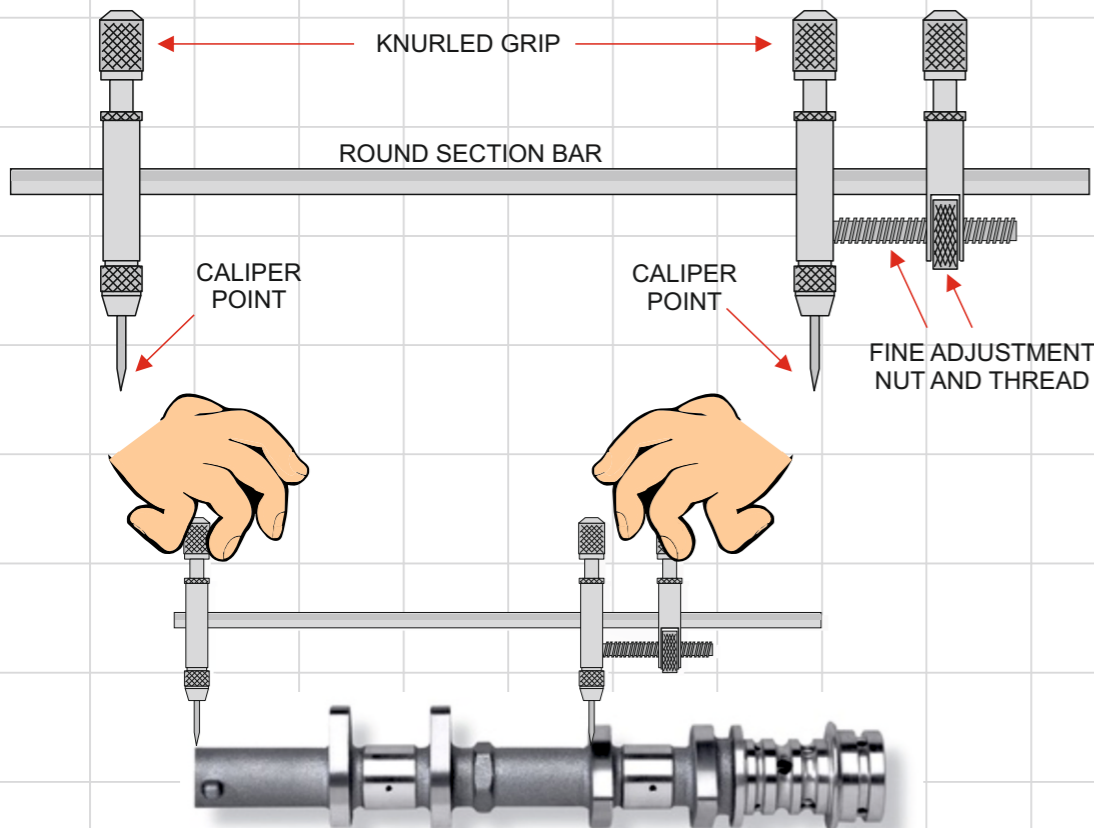
## ENGINEERS RULE



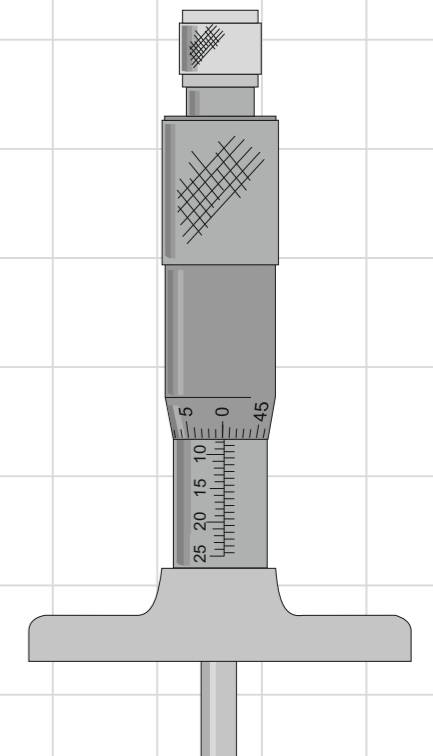
## DIAL INDICATOR



## TRAMMEL



## DEPTH GAUGE MICROMETER



**FOR ENGINEERING**  
TRY THE INTERACTIVE MOBILE PDF APP SECTION  
OF [www.technologystudent.com](http://www.technologystudent.com)