

MACHINE SCREWS, NUTS AND BOLTS

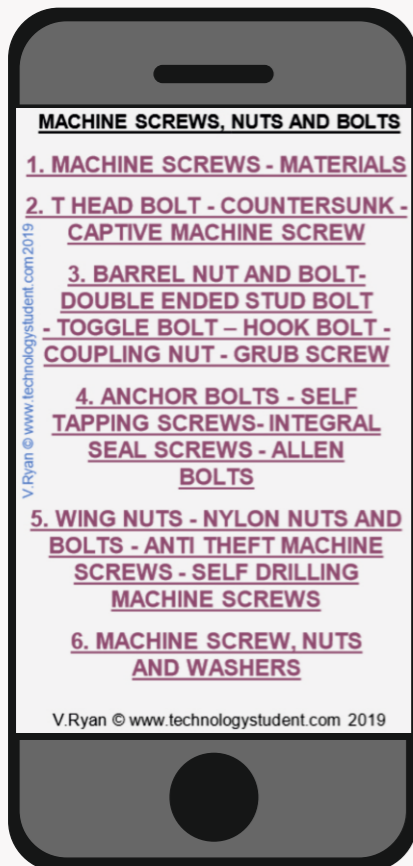
TO ANSWER ALL THE QUESTIONS YOU WILL NEED TO DOWNLOAD THE 'MACHINE SCREWS, NUTS AND BOLTS' APP, FROM THE INTERACTIVE MOBILE APP SECTION OF www.technologystudent.com

LINK

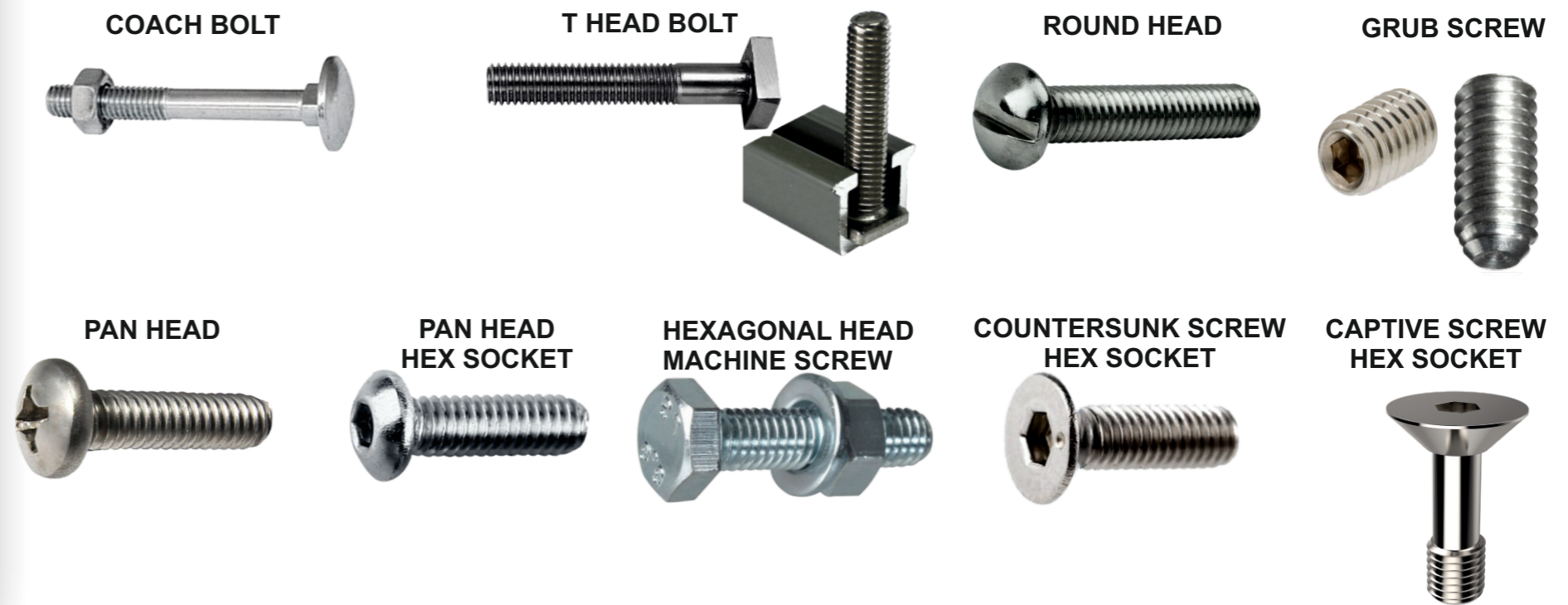
<http://www.technologystudent.com/mobapps/nutsandbolts1.pdf>

Once you have downloaded the App, you can use it to navigate the website. You may need to follow the links on each page of the App, to research / complete answers to all the questions.

**ARE YOU READY?
USE THE MOBILE App!!**



SELECT FOUR OF THE MACHINE SCREWS / BOLTS. SKETCH (OR PASTE AN IMAGE) OF A PRACTICAL APPLICATION OF EACH ONE



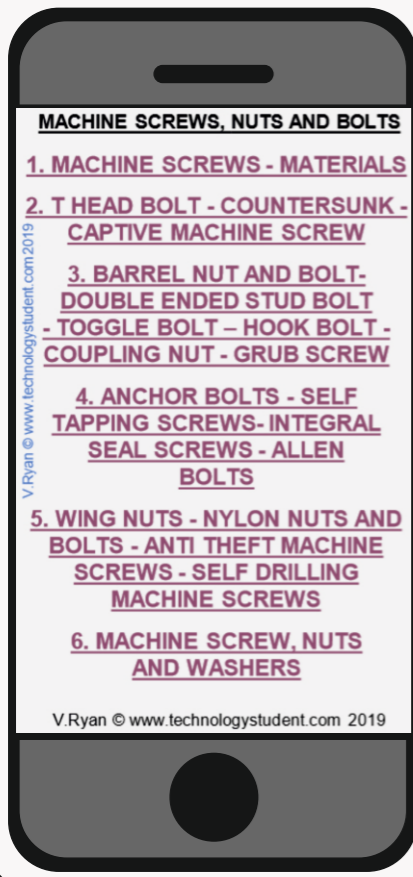
1 NAME: _____

2 NAME: _____

3 NAME: _____

4 NAME: _____

HELPFUL LINK: <http://www.technologystudent.com/mobapps/nutsandbolts1.pdf>



MACHINE SCREWS, NUTS AND BOLTS

TO ANSWER ALL THE QUESTIONS YOU WILL NEED TO DOWNLOAD THE 'MACHINE SCREWS, NUTS AND BOLTS' APP, FROM THE INTERACTIVE MOBILE APP SECTION OF www.technologystudent.com

LINK

<http://www.technologystudent.com/mobapps/nutsandbolts1.pdf>

Once you have downloaded the App, you can use it to navigate the website. You may need to follow the links on each page of the App, to research / complete answers to all the questions.

**ARE YOU READY?
USE THE MOBILE App!!**

1

NAME THE SCREWS / BOLTS BELOW AND DESCRIBE THEIR USE.



NAME: _____

DESCRIPTION OF USE:



NAME: _____

DESCRIPTION OF USE:

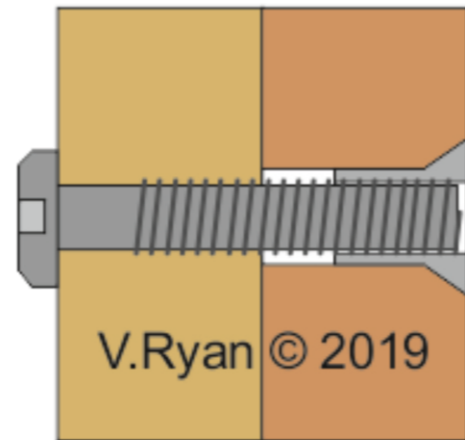


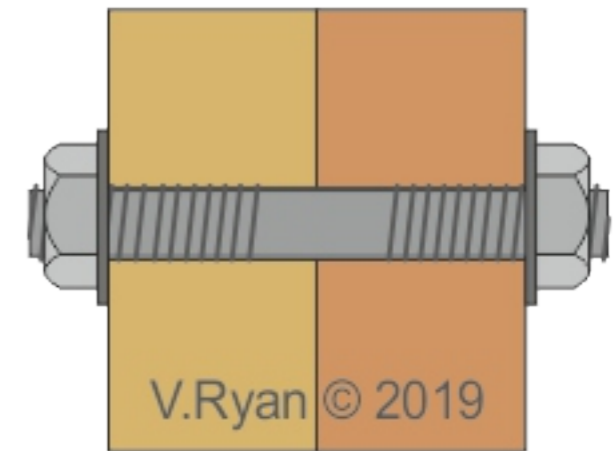
NAME: _____

DESCRIPTION OF USE:

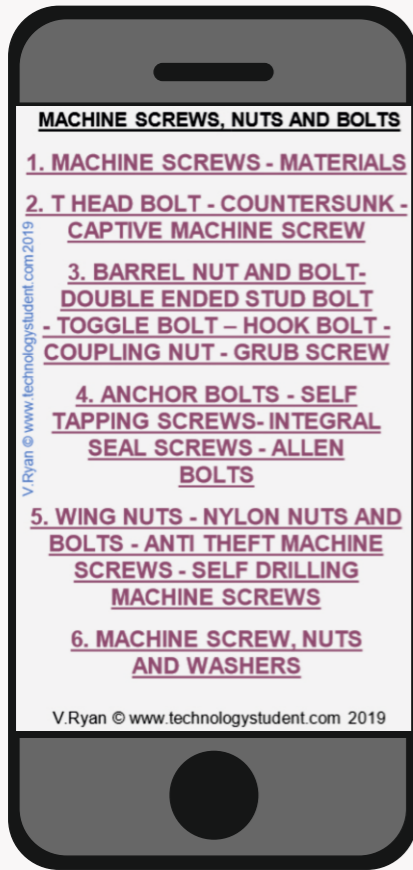
2

EXPLAIN THE PRACTICAL APPLICATION OF A BARREL NUT AND BOLT. (Seen below).





HELPFUL LINK: <http://www.technologystudent.com/mobapps/nutsandbolts1.pdf>



MACHINE SCREWS, NUTS AND BOLTS

TO ANSWER ALL THE QUESTIONS YOU WILL NEED TO DOWNLOAD THE 'MACHINE SCREWS, NUTS AND BOLTS' APP, FROM THE INTERACTIVE MOBILE APP SECTION OF www.technologystudent.com

LINK

<http://www.technologystudent.com/mobapps/nutsandbolts1.pdf>

Once you have downloaded the App, you can use it to navigate the website. You may need to follow the links on each page of the App, to research / complete answers to all the questions.

**ARE YOU READY?
USE THE MOBILE App!!**

1

SELECT ONE OF THE 'BOLTS' BELOW AND SKETCH A PRACTICAL APPLICATION. INCLUDE A DESCRIPTION. (Place a tick alongside your selected 'bolt')

HOOK BOLT



TOGGLE BOLT



MACHINE SCREW AND WING NUT



'LONG' WINGNUT



DESCRIPTION:

SKETCH OF PRACTICAL APPLICATION

2

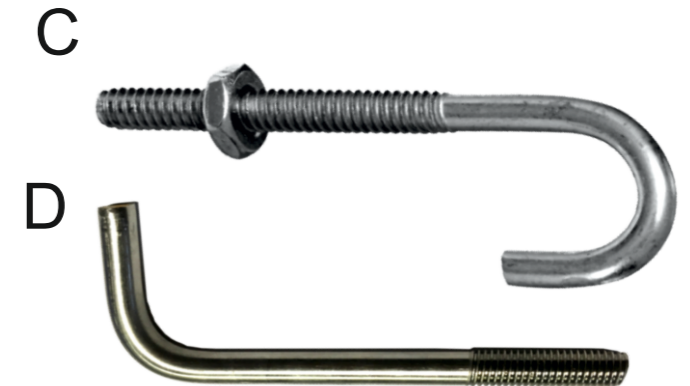
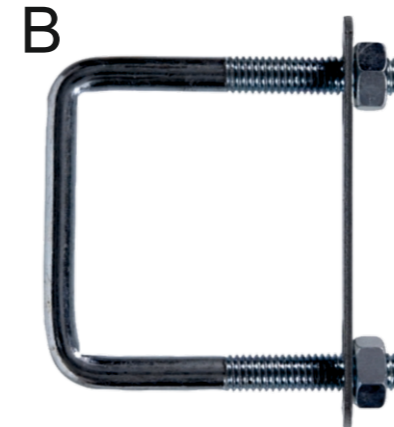
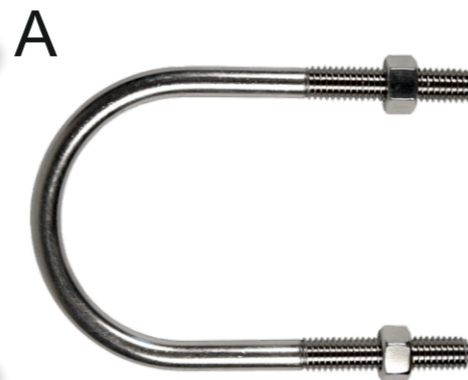
NAME EACH OF THESE ANCHOR BOLTS

A: _____

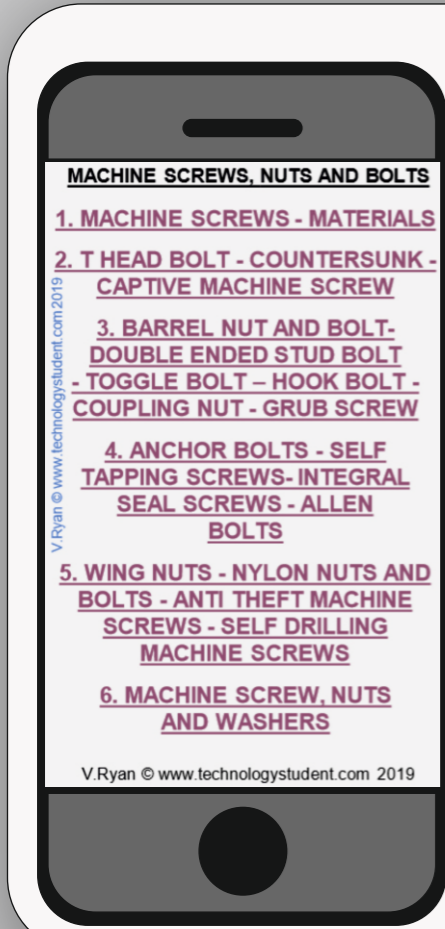
B: _____

C: _____

D: _____



HELPFUL LINK: <http://www.technologystudent.com/mobapps/nutsandbolts1.pdf>



MACHINE SCREWS, NUTS AND BOLTS

TO ANSWER ALL THE QUESTIONS YOU WILL NEED TO DOWNLOAD THE 'MACHINE SCREWS, NUTS AND BOLTS' APP, FROM THE INTERACTIVE MOBILE APP SECTION OF www.technologystudent.com

LINK

<http://www.technologystudent.com/mobapps/nutsandbolts1.pdf>

Once you have downloaded the App, you can use it to navigate the website. You may need to follow the links on each page of the App, to research / complete answers to all the questions.

**ARE YOU READY?
USE THE MOBILE App!!**

1

WHY ARE SELF-TAPPING SCREWS USEFUL, WHEN USED TO JOIN SHEET METAL?



2

DESCRIBE AN ADVANTAGE OF ALLEN SCREWS / BOLTS?



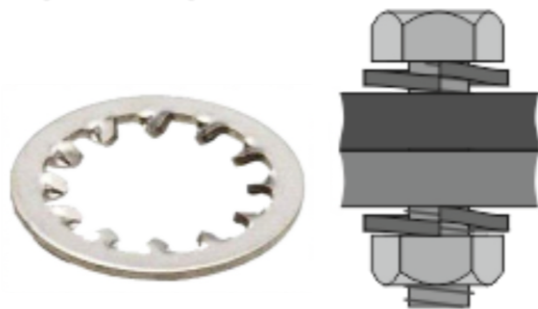
3

WHAT IS THE PURPOSE OF THE SPRING WASHER AND STAR WASHER?

SPRING WASHER (LOCKING WASHER)



STAR WASHER



Spring washers in position, ready for the machine screw to be tightened.

4

WING NUTS ARE RELATIVELY EASY TO USE. WHY?



PEARL M-8W/2 WING NUT

SPECIFICATION DIN 315 AF

AMERICAN FORM



HELPFUL LINK: <http://www.technologystudent.com/mobapps/nutsandbolts1.pdf>