

**SHADING FLAT SURFACES
THE LINE TECHNIQUE
FLAT SURFACES**

TO ANSWER ALL THE QUESTIONS YOU WILL NEED TO DOWNLOAD THE 'SIMPLE SHADING TECHNIQUES - COLOURED PENCILS' APP, FROM THE INTERACTIVE MOBILE APP SECTION OF www.technologystudent.com

LINK
http://www.technologystudent.com/mobapps/shading_techniques1.pdf

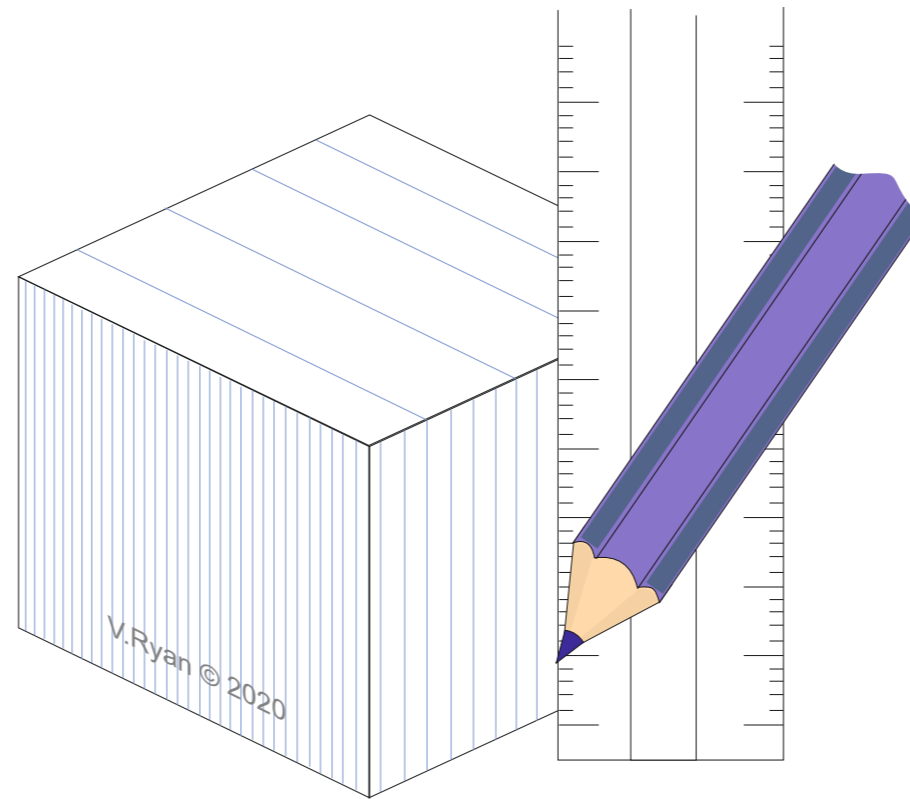
Once you have downloaded the App, you can use it to navigate the website. You may need to follow the links on each page of the App, to research / complete answers to all the questions.

**ARE YOU READY?
USE THE MOBILE App!!**

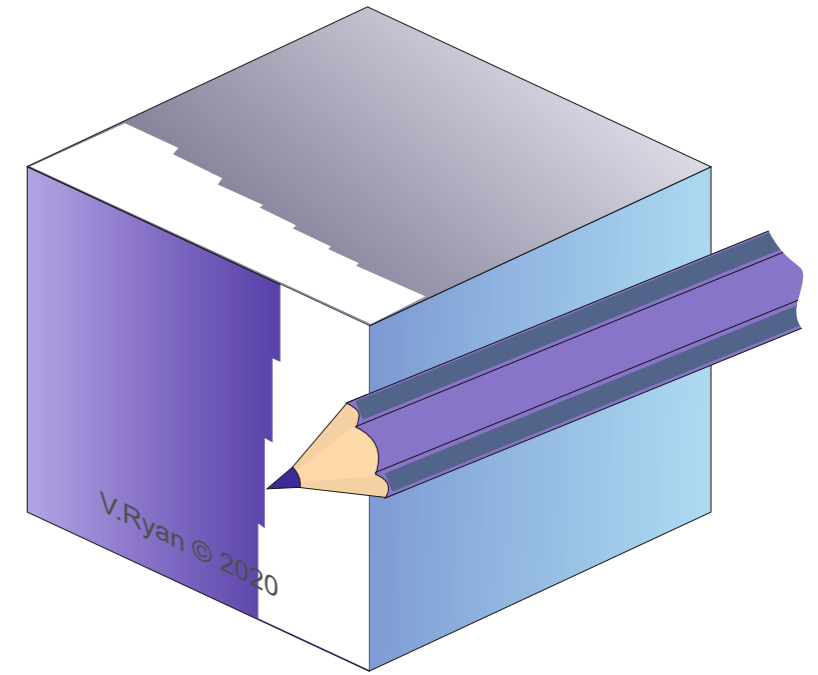
1

Two examples of shading techniques are shown below - the 'line' technique and 'three tone shading'. Complete the two blank cubes below, using the same techniques.

LINE TECHNIQUE

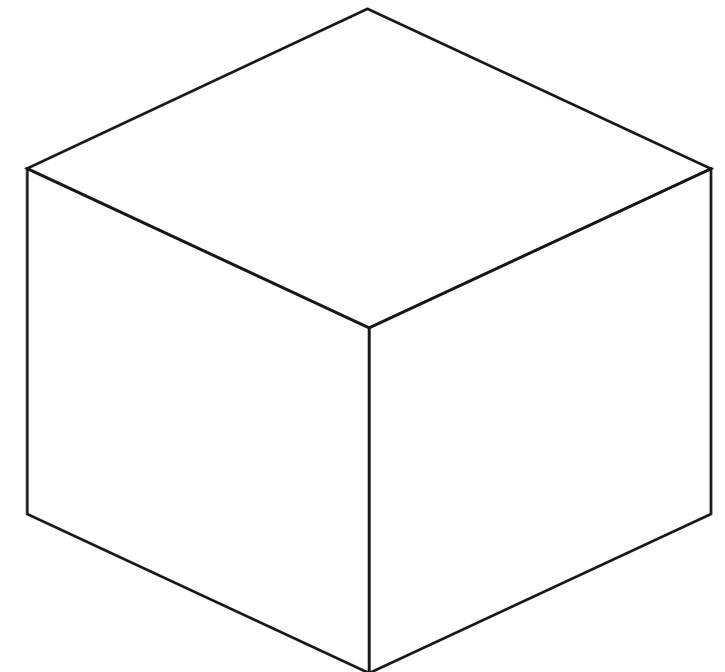
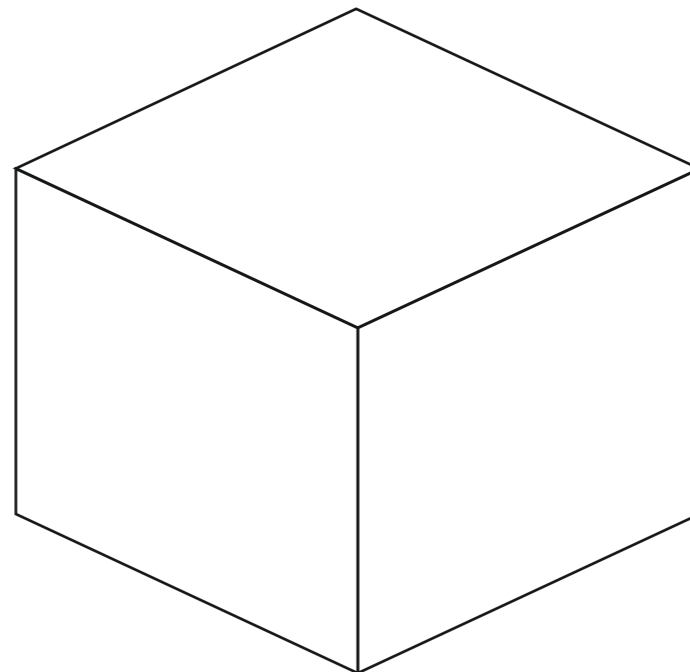


THREE TONE SHADING

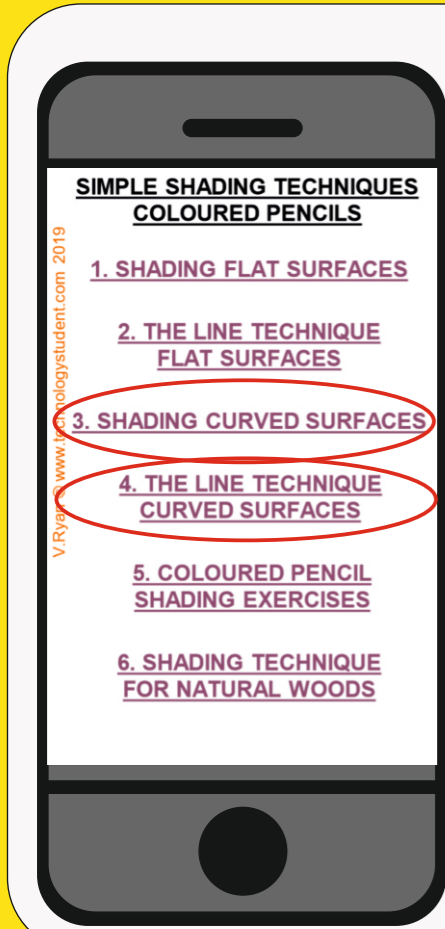


2

Having completed the two shading exercises, which of the two techniques do you feel is the most effective and why?



HELPFUL LINK: http://www.technologystudent.com/mobapps/shading_techniques1.pdf



SHADING CURVED SURFACES

TO ANSWER ALL THE QUESTIONS YOU WILL NEED TO DOWNLOAD THE 'SIMPLE SHADING TECHNIQUES - COLOURED PENCILS' APP, FROM THE INTERACTIVE MOBILE APP SECTION OF www.technologystudent.com

http://www.technologystudent.com/mobapps/shading_techniques1.pdf

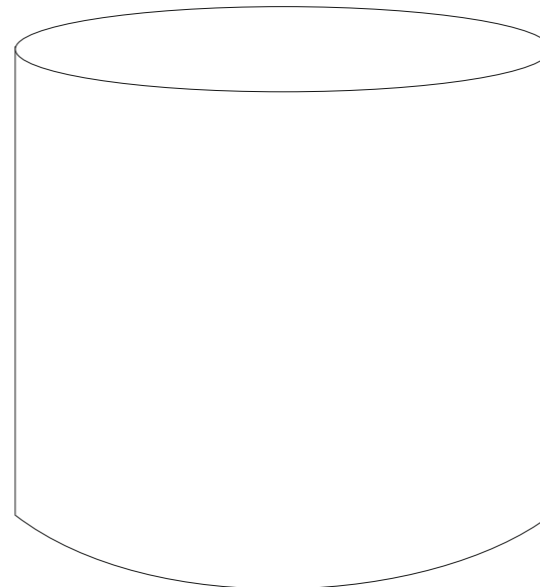
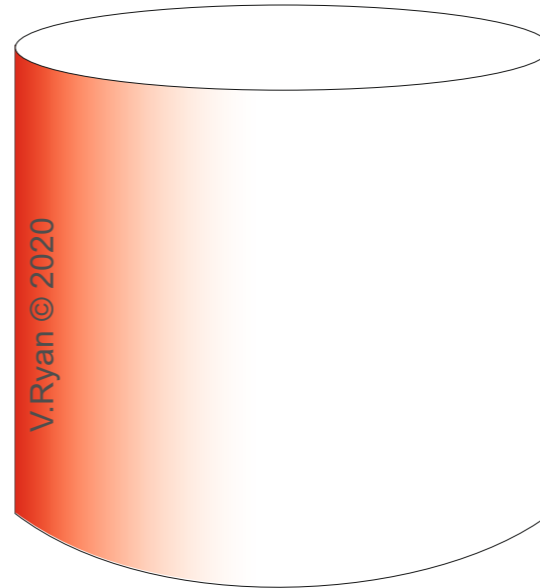
Once you have downloaded the App, you can use it to navigate the website. You may need to follow the links on each page of the App, to research / complete answers to all the questions.

**ARE YOU READY?
USE THE MOBILE App!!**

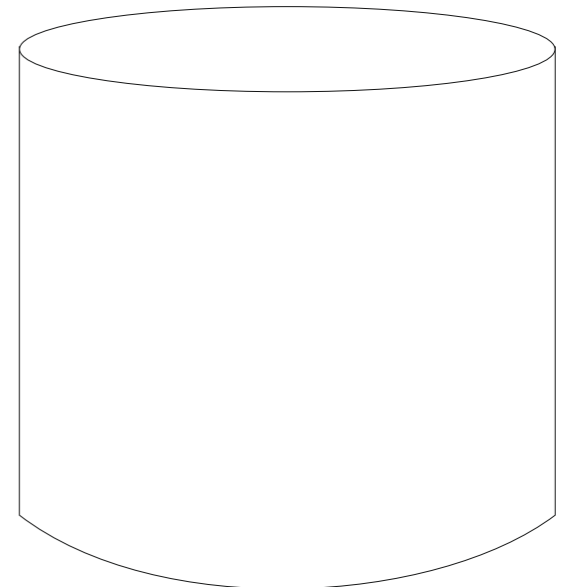
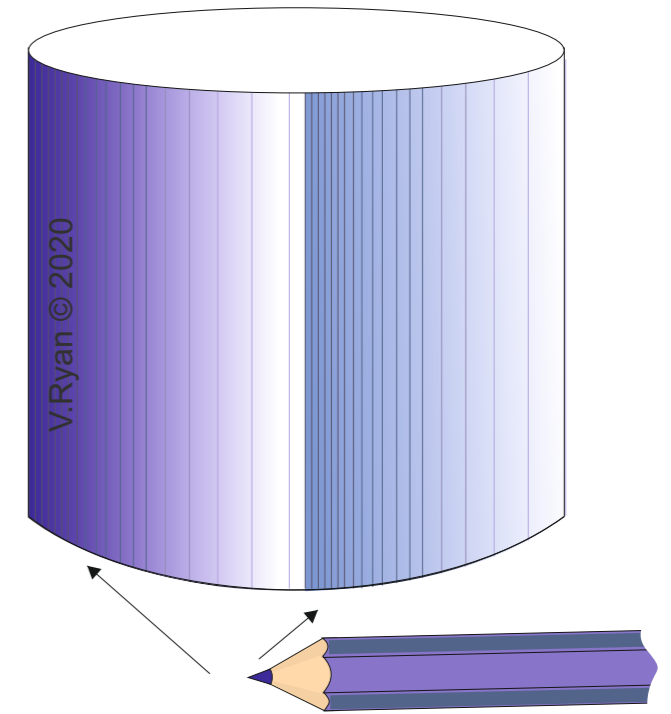
1

Two examples of shading techniques, suitable for curved surfaces are shown below - a simple shading technique and the 'line' technique with shading. Complete the two blank cylinders below, using the same techniques.

SIMPLE SHADING



LINE TECHNIQUES AND SHADING



2

Having completed the two shading exercises, which of the two techniques do you feel is the most effective and why?

HELPFUL LINK: http://www.technologystudent.com/mobapps/shading_techniques1.pdf

SHADING CURVED SURFACES

TO ANSWER ALL THE QUESTIONS YOU WILL NEED TO DOWNLOAD THE 'SIMPLE SHADING TECHNIQUES - COLOURED PENCILS' APP, FROM THE INTERACTIVE MOBILE APP SECTION OF www.technologystudent.com

LINK

http://www.technologystudent.com/mobapps/shading_techniques1.pdf

Once you have downloaded the App, you can use it to navigate the website. You may need to follow the links on each page of the App, to research / complete answers to all the questions.

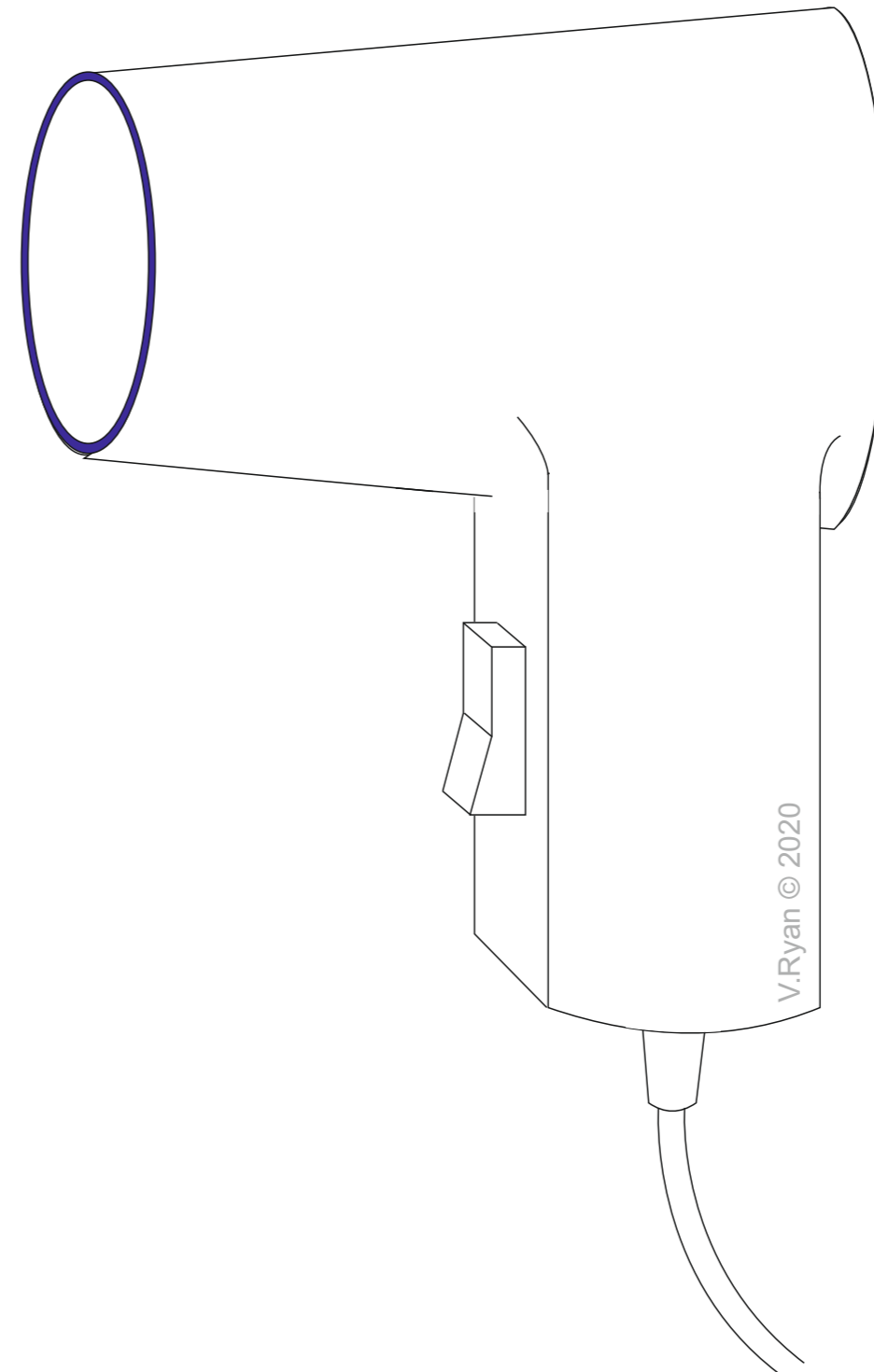
**ARE YOU READY?
USE THE MOBILE App!!**

1

1a. The basic drawing below shows a hair drier. It is incomplete as detail is missing. Complete the drawing by adding the following:

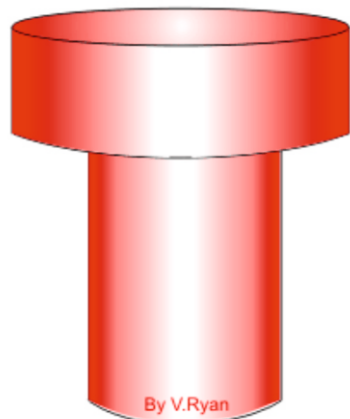
Air vents at the front, that allow air to be blown forwards.

Add suitable colour and shade.



2

Copy this shape and shading, using the available space.



HELPFUL LINK: http://www.technologystudent.com/mobapps/shading_techniques1.pdf

SHADING CURVED SURFACES

TO ANSWER ALL THE QUESTIONS YOU WILL NEED TO DOWNLOAD THE 'SIMPLE SHADING TECHNIQUES - COLOURED PENCILS' APP, FROM THE INTERACTIVE MOBILE APP SECTION OF www.technologystudent.com

LINK

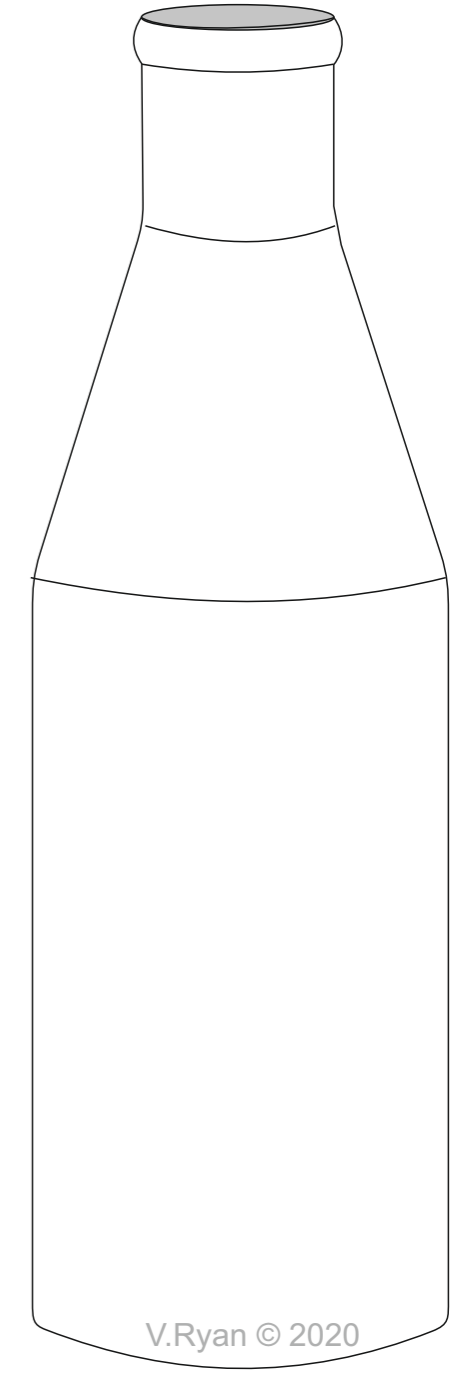
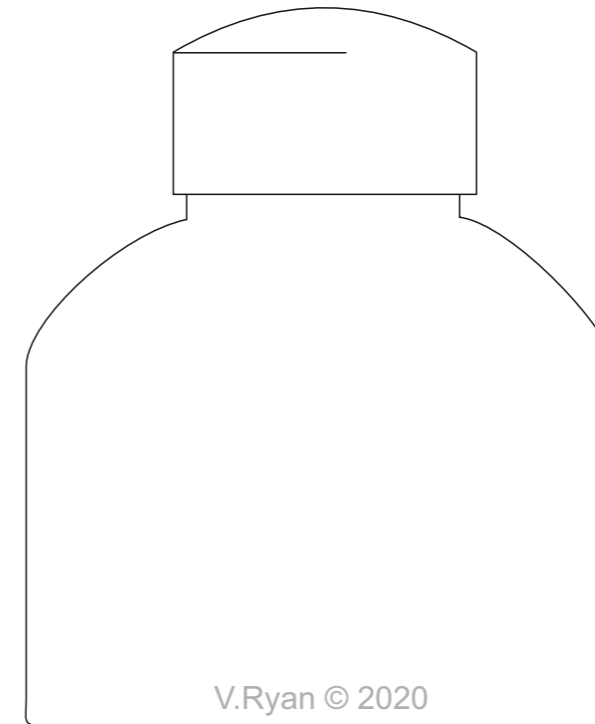
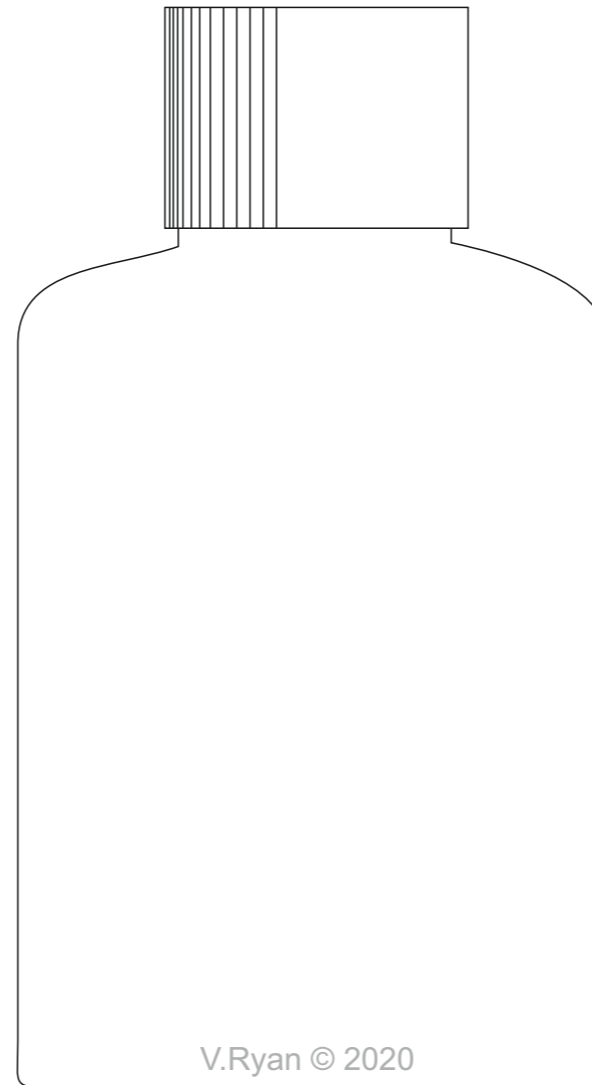
http://www.technologystudent.com/mobapps/shading_techniques1.pdf

Once you have downloaded the App, you can use it to navigate the website. You may need to follow the links on each page of the App, to research / complete answers to all the questions.

**ARE YOU READY?
USE THE MOBILE App!!**

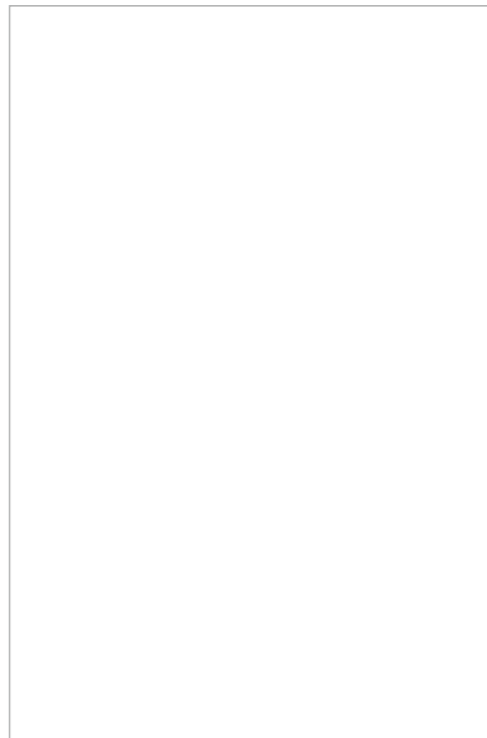
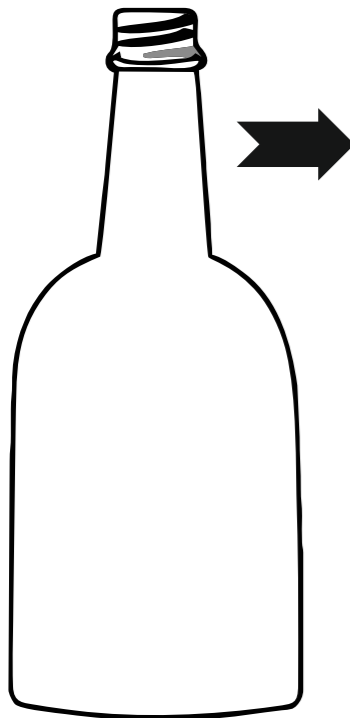
1

Add appropriate colour and shade, to the bottles drawn below. The bottles are manufactured from glass.

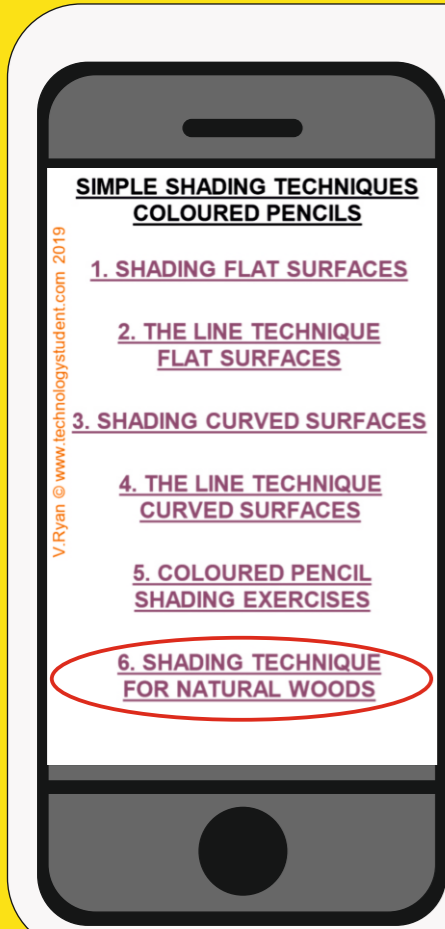


2

Copy this shape and add suitable shading, using the available space.



HELPFUL LINK: http://www.technologystudent.com/mobapps/shading_techniques1.pdf



SHADING NATURAL WOOD

TO ANSWER ALL THE QUESTIONS YOU WILL NEED TO DOWNLOAD THE 'SIMPLE SHADING TECHNIQUES - COLOURED PENCILS' APP, FROM THE INTERACTIVE MOBILE APP SECTION OF www.technologystudent.com

LINK

http://www.technologystudent.com/mobapps/shading_techniques1.pdf

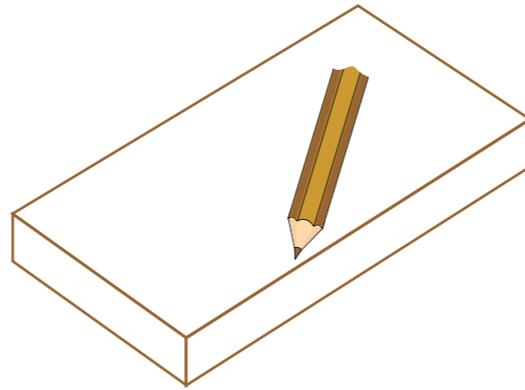
Once you have downloaded the App, you can use it to navigate the website. You may need to follow the links on each page of the App, to research / complete answers to all the questions.

**ARE YOU READY?
USE THE MOBILE App!!**

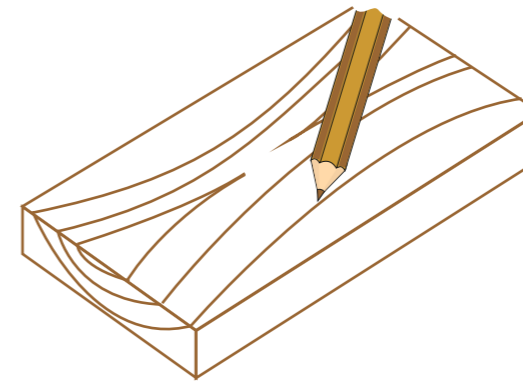
1

The stages of creating a grain and shading effect, that represents natural wood, are shown below. Copy this technique using the blank at the bottom of the page.

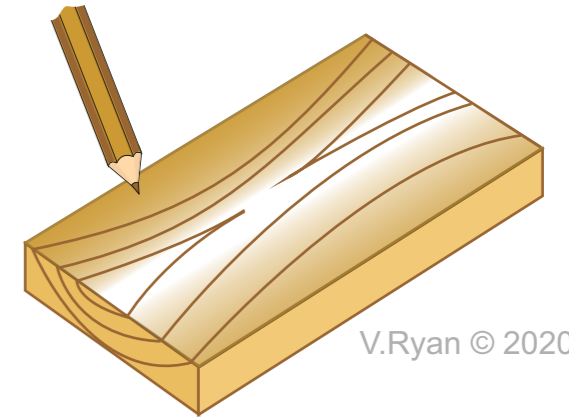
DRAW AROUND OUTER SHAPE WITH COLOURED PENCIL



DRAW IN GRAIN EFFECT.



ADD APPROPRIATE SHADING.

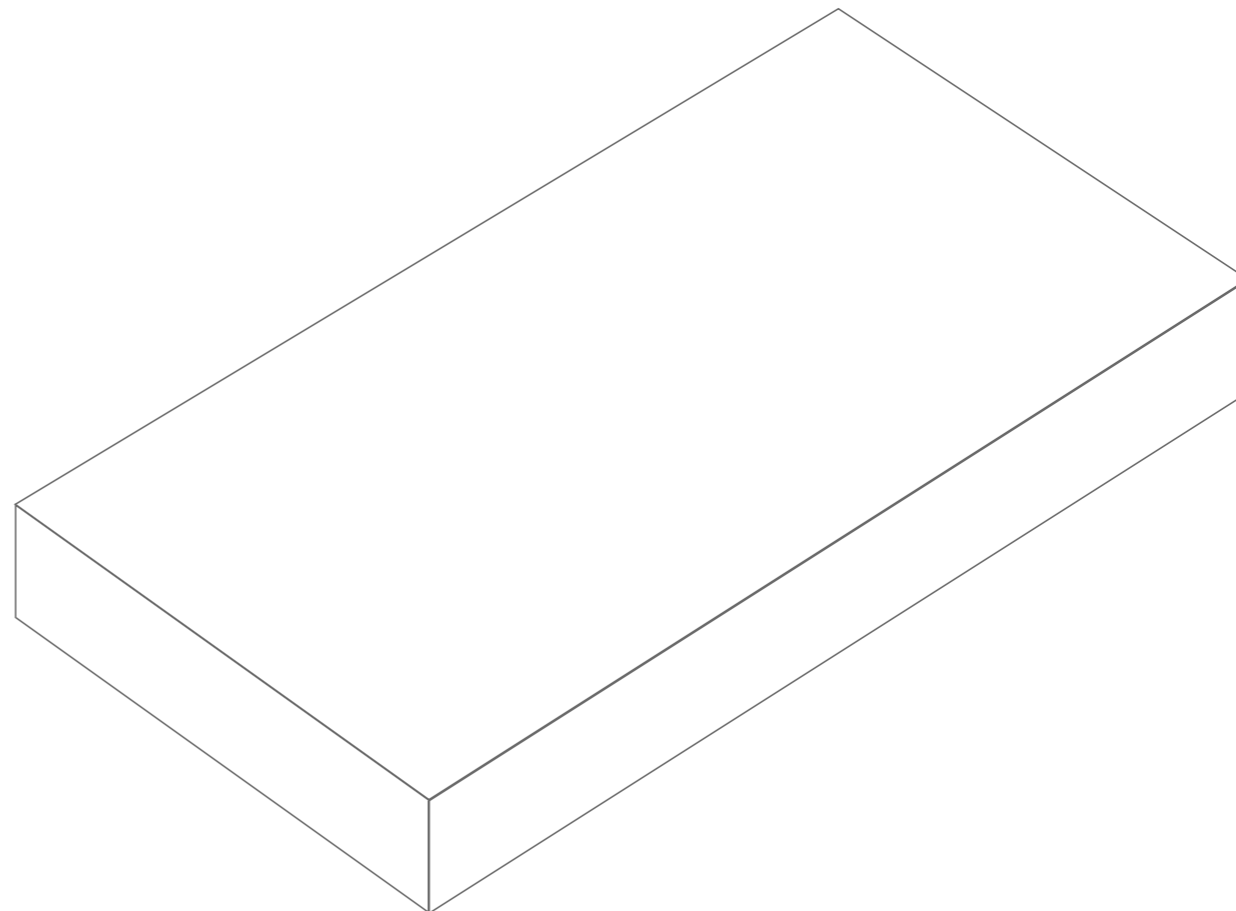
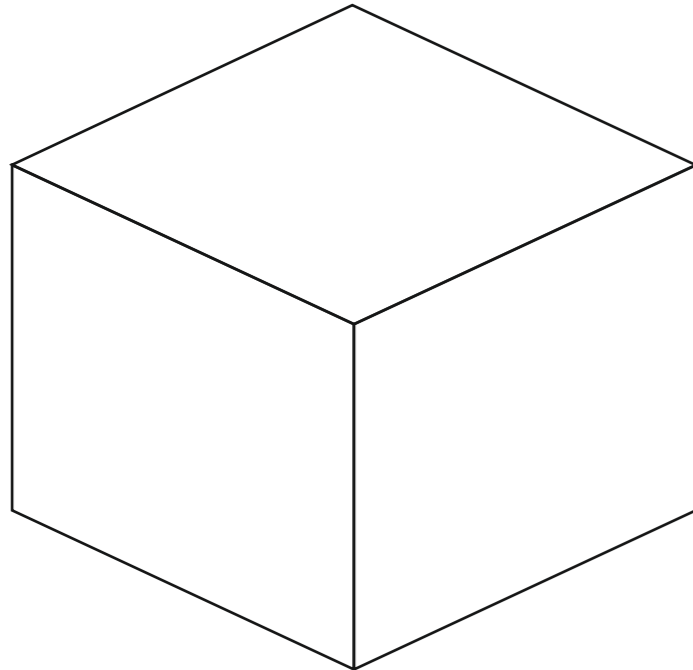


V.Ryan © 2020

2

This is 'block' of natural wood.
Add suitable grain and shade.

Look carefully at the shading in the previous box



HELPFUL LINK: http://www.technologystudent.com/mobapps/shading_techniques1.pdf