



HALVING JOINTS

TO ANSWER ALL THE QUESTIONS YOU WILL NEED TO DOWNLOAD THE 'COMMON WOODWORKING JOINTS' APP, FROM THE INTERACTIVE MOBILE APP SECTION OF www.technologystudent.com

LINK

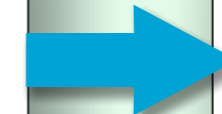
http://www.technologystudent.com/mobapps/woodworking_joints1.pdf

Once you have downloaded the App, you can use it to navigate the website. You may need to follow the links on each page of the App, to research / complete answers to all the questions.

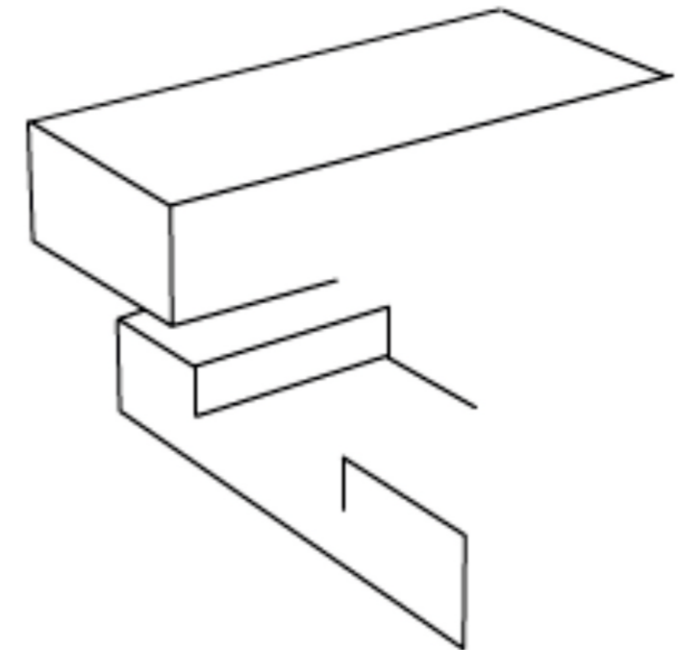
**ARE YOU READY?
USE THE MOBILE App!!**

1

DESCRIBE A CROSS HALVING JOINT.
DESCRIBE A PRACTICAL APPLICATION OF A CROSS HALVING JOINT?

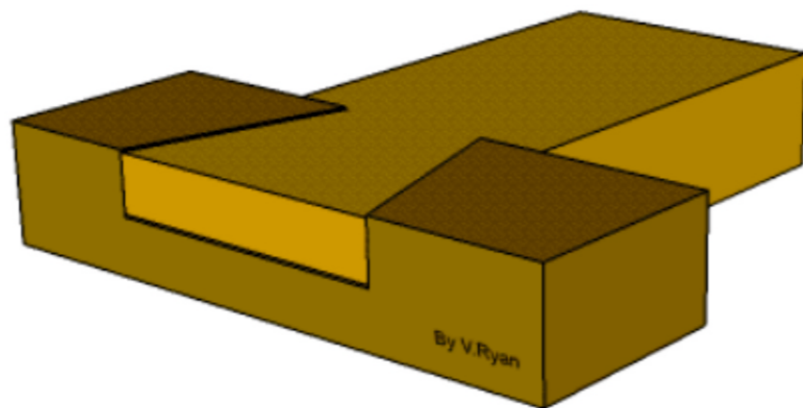


COMPLETE THE SKETCH OF THE CROSS HALVING JOINT.



2

A DOVETAIL HALVING JOINT IS SHOWN BELOW. DESCRIBE ONE ADVANTAGE THIS JOINT HAS, OVER THE HALVING JOINT NAMED IN QUESTION 1.



3

TEE HALVING AND HALF LAP JOINTS CAN BE USED WHEN GREAT STRENGTH IS NOT REQUIRED.
SKETCH A TEE HALVING IN THE SPACE BELOW.



SKETCH A HALF LAP JOINT IN THIS BOX.

HELPFUL LINK: http://www.technologystudent.com/mobapps/woodworking_joints1.pdf



BRIDLE JOINTS AND THE PLAIN MORTISE AND TENON

TO ANSWER ALL THE QUESTIONS YOU WILL NEED TO DOWNLOAD THE 'COMMON WOODWORKING JOINTS' APP, FROM THE INTERACTIVE MOBILE APP SECTION OF www.technologystudent.com

LINK
http://www.technologystudent.com/mobapps/woodworking_joints1.pdf

Once you have downloaded the App, you can use it to navigate the website. You may need to follow the links on each page of the App, to research / complete answers to all the questions.

**ARE YOU READY?
USE THE MOBILE App!!**

1 DESCRIBE WHEN A BRIDLE JOINT IS LIKELY TO BE USED. NAME / DESCRIBE ONE PRODUCT THAT MAKES USE OF A BRIDLE JOINT

SKETCH AN ANGLED BRIDLE JOINT HERE.

2 A PLAIN BRIDLE JOINT IS SHOWN BELOW. USING THE INTERNET AS A RESEARCH TOOL, FIND AN IMAGE OF A PRACTICAL APPLICATION OF THIS JOINT or SKETCH A PRACTICAL APPLICATION.

PRACTICAL APPLICATION

3 WHEN WOULD A PLAIN MORTISE AND TENON JOINT BE USED? NAME SOME PRACTICAL APPLICATIONS. WHAT GLUE IS OFTEN USED WITH THIS JOINT?

SKETCH A PLAIN MORTISE AND TENON

HELPFUL LINK: http://www.technologystudent.com/mobapps/woodworking_joints1.pdf



MORE MORTISE AND TENON JOINTS

TO ANSWER ALL THE QUESTIONS YOU WILL NEED TO DOWNLOAD THE 'COMMON WOODWORKING JOINTS' APP, FROM THE INTERACTIVE MOBILE APP SECTION OF www.technologystudent.com

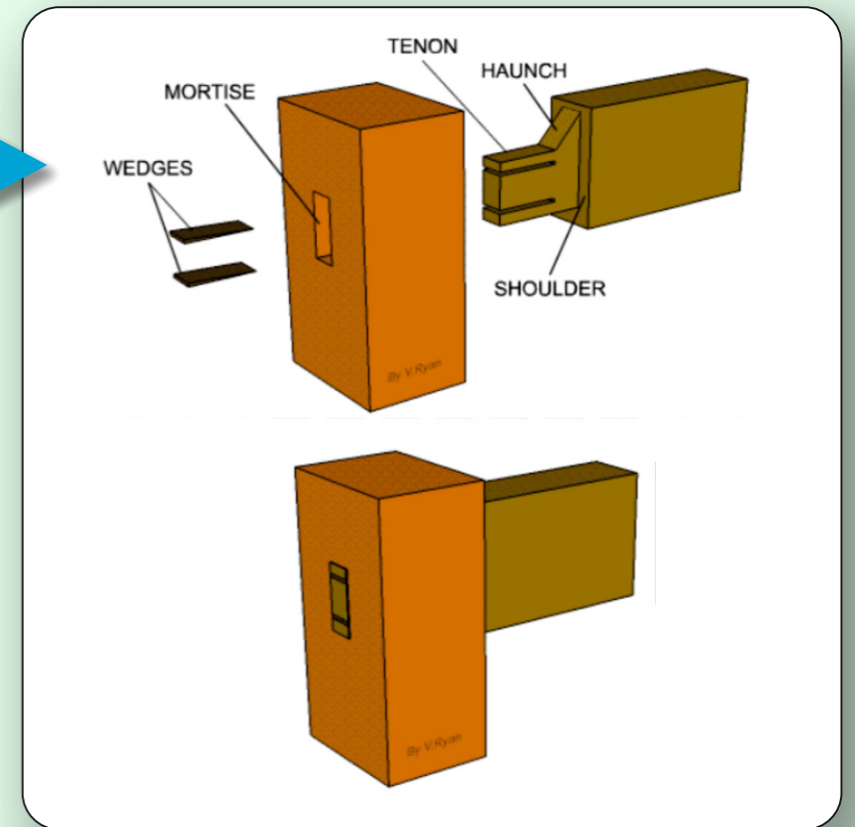
LINK

http://www.technologystudent.com/mobapps/woodworking_joints1.pdf

Once you have downloaded the App, you can use it to navigate the website. You may need to follow the links on each page of the App, to research / complete answers to all the questions.

**ARE YOU READY?
USE THE MOBILE App!!**

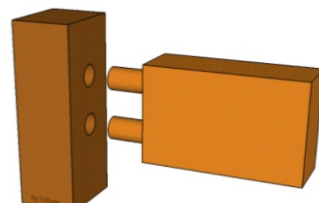
1 **WHAT ARE THE ADVANTAGES OF A WEDGED MORTISE AND TENON, OVER A PLAIN MORTISE AND TENON.**
You may wish to make reference to the sketches opposite.



2 **IN THE SPACE BELOW, SKETCH A DOWELLED MORTISE AND TENON JOINT.**

EXPLAIN WHY THIS TYPE OF JOINT IS STRONGER, COMPARED TO A PLAIN MORTISE AND TENON.

3 **WHAT GLUE WOULD YOU USE WITH THIS DOUBLE DOWELLED MORTISE AND TENON JOINT? WHY IS THIS JOINT COMMON WITH MODERN FURNITURE?**



HELPFUL LINK: http://www.technologystudent.com/mobapps/woodworking_joints1.pdf



TWIN MORTISE AND TENON AND DOVETAIL JOINTS

TO ANSWER ALL THE QUESTIONS YOU WILL NEED TO DOWNLOAD THE 'COMMON WOODWORKING JOINTS' APP, FROM THE INTERACTIVE MOBILE APP SECTION OF www.technologystudent.com

LINK

http://www.technologystudent.com/mobapps/woodworking_joints1.pdf

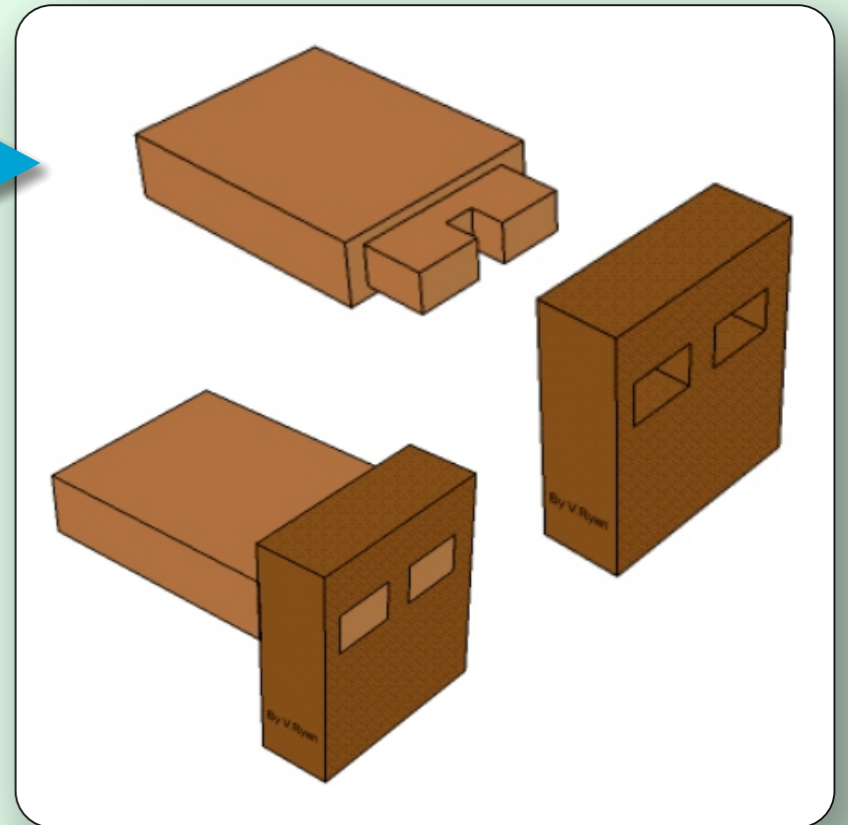
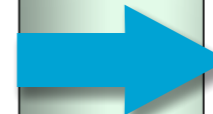
Once you have downloaded the App, you can use it to navigate the website. You may need to follow the links on each page of the App, to research / complete answers to all the questions.

**ARE YOU READY?
USE THE MOBILE App!!**

1

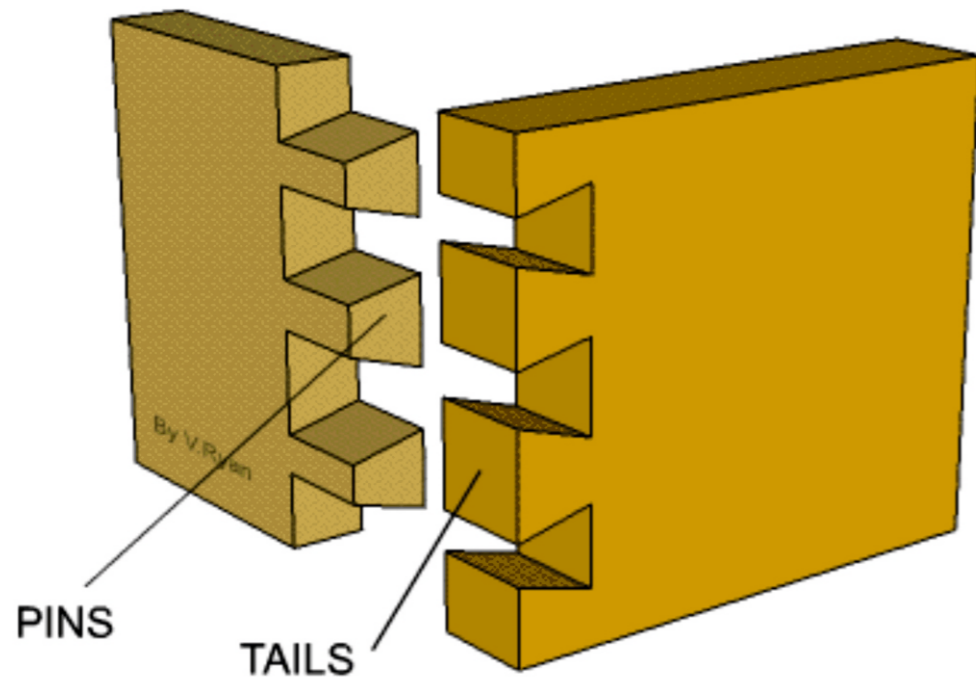
WHAT ARE THE ADVANTAGES OF A TWIN MORTISE AND TENON?

You may wish to make reference to the sketches opposite.



2

A SET OF 'THROUGH DOVETAILS'.



WHAT ARE THE BENEFITS OF USING DOVETAIL JOINTS? NAME TWO PRACTICAL APPLICATIONS OF THIS TYPE OF JOINT.

3

SKETCH A LAPPED DOVETAIL JOINT

HELPFUL LINK: http://www.technologystudent.com/mobapps/woodworking_joints1.pdf



FINGER / COMB JOINTS and SHOULDER / REBATE / LAPPED JOINTS

TO ANSWER ALL THE QUESTIONS YOU WILL NEED TO DOWNLOAD THE 'COMMON WOODWORKING JOINTS' APP, FROM THE INTERACTIVE MOBILE APP SECTION OF www.technologystudent.com

LINK

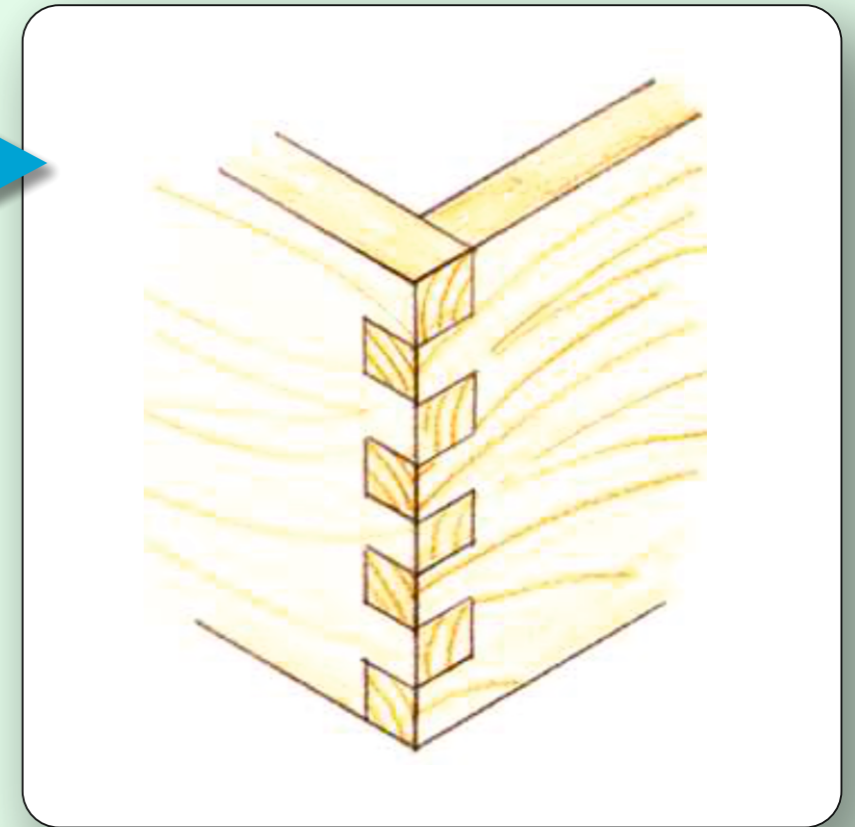
http://www.technologystudent.com/mobapps/woodworking_joints1.pdf

Once you have downloaded the App, you can use it to navigate the website. You may need to follow the links on each page of the App, to research / complete answers to all the questions.

**ARE YOU READY?
USE THE MOBILE App!!**

1 **WHEN ARE FINGER JOINTS USED?
WHY ARE THEY A STRONG JOINT?**

You may wish to make reference to the sketch opposite.



2 **SKETCH YOUR VERSION OF A SET OF FINGER JOINTS,
IN THE SPACE BELOW.**

3 **NAME THE 'PLANE' THAT IS OFTEN
USED, WHEN CUTTING REBATE /
SHOULDER / LAPP JOINTS.**

**PASTE / DRAW AN IMAGE OF THE PLANE
IN THE SPACE BELOW.**

**SKETCH A REBATE / SHOULDER /
LAPP JOINT.**

HELPFUL LINK: http://www.technologystudent.com/mobapps/woodworking_joints1.pdf