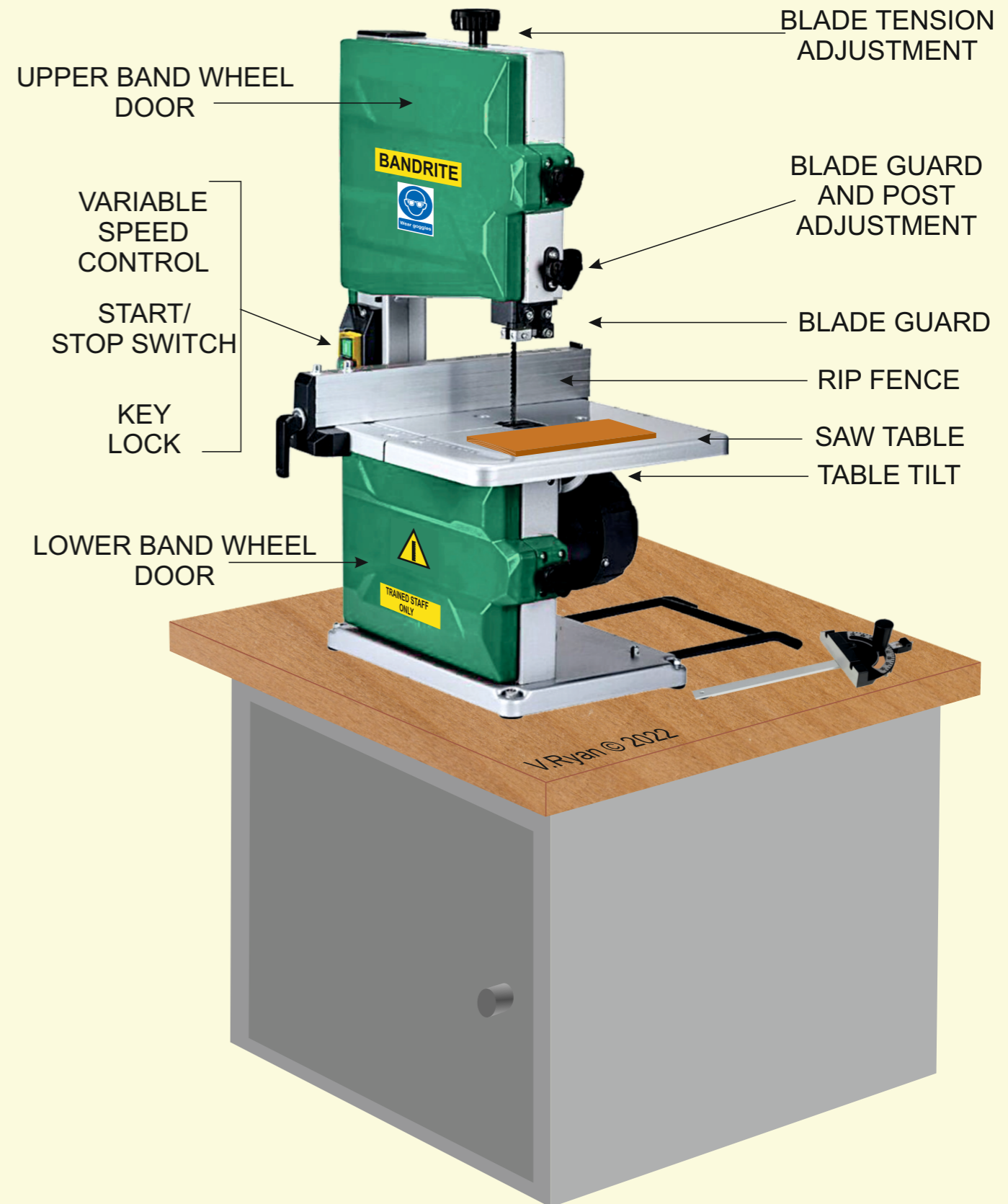
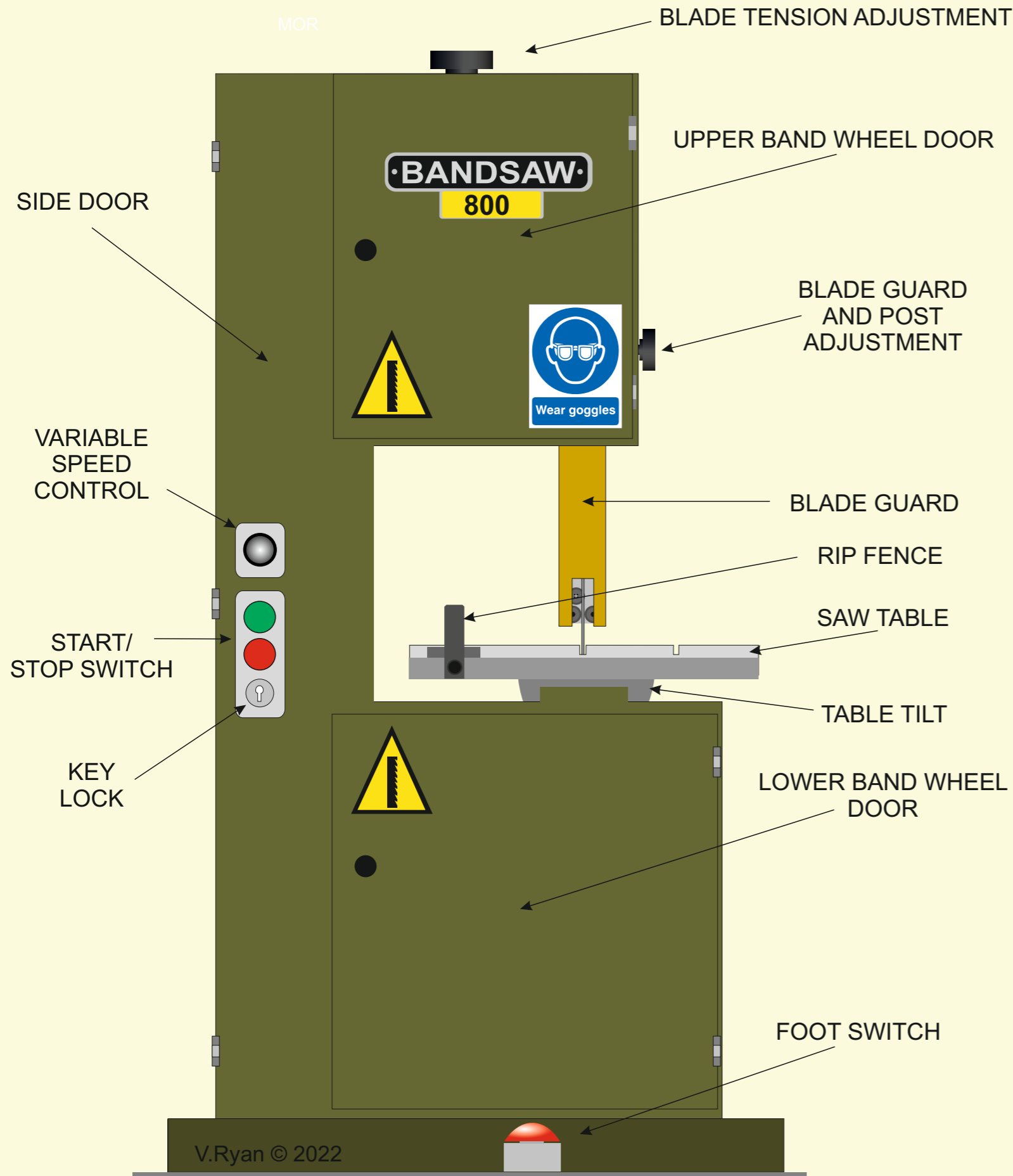


THE BAND SAW

FULL SIZE BAND SAW

FOR MORE INFORMATION ON BAND SAWS, GO TO THE EQUIPMENT AND PROCESSES SECTION OF [technologystudent.com](http://www.technologystudent.com)

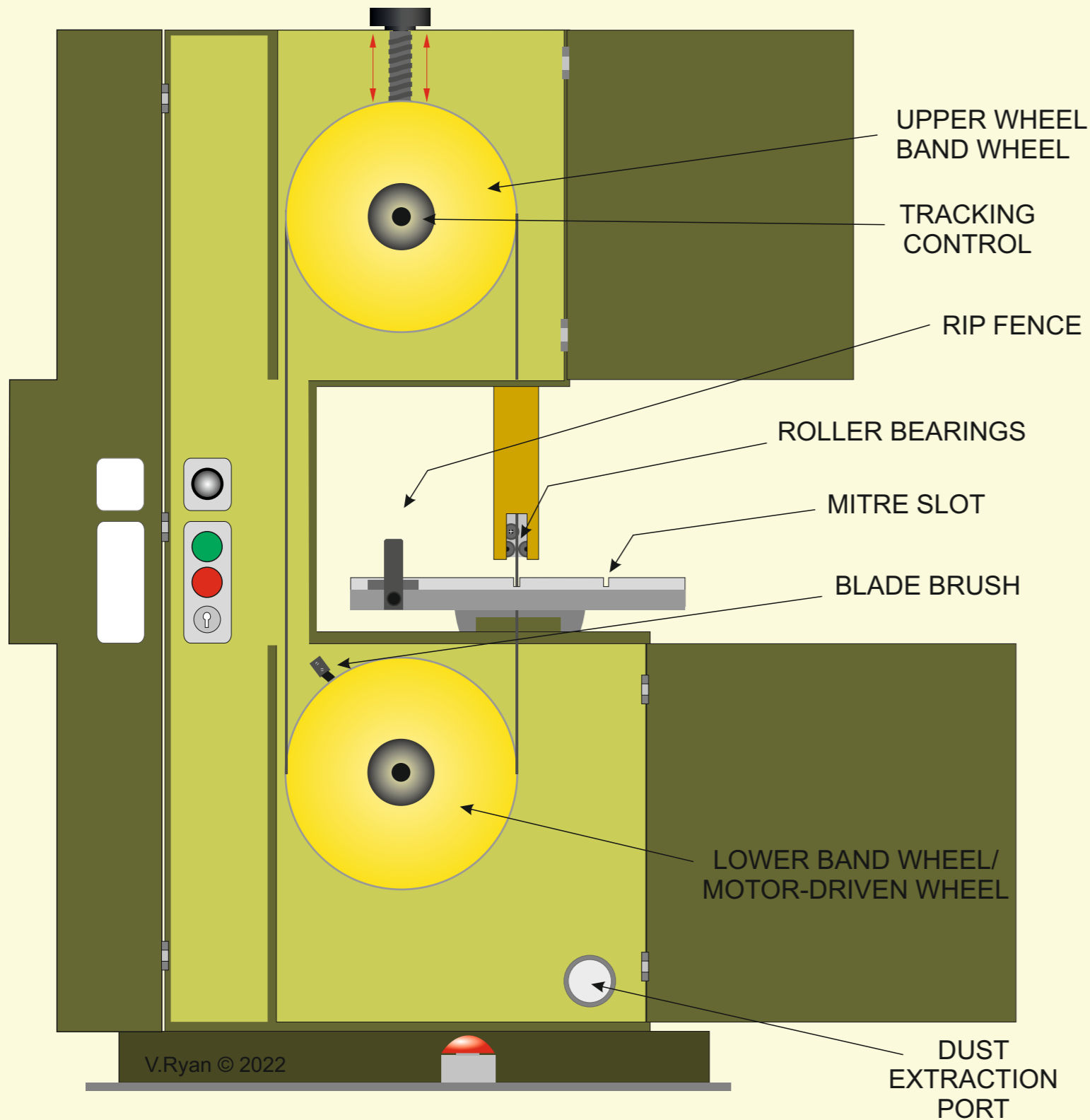
BENCH TOP BAND SAW



THE BAND SAW

FOR MORE INFORMATION ON BAND SAWS, GO TO THE EQUIPMENT AND PROCESSES SECTION OF technologystudent.com

FRONT VIEW - DOORS OPEN



FOLDING AND STORING A BAND SAW BLADE

DIAGRAM 1

The teeth of the blade must be facing away from you. Hold the blade to the floor with one foot.

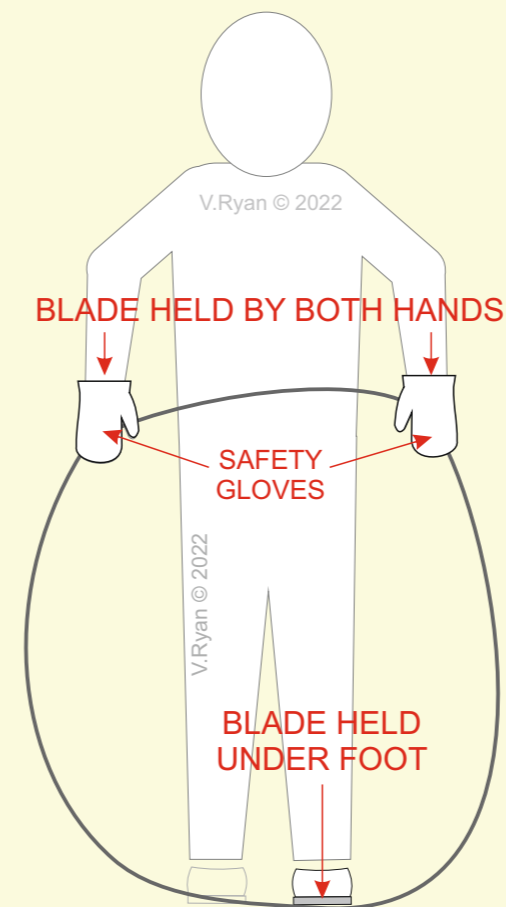


DIAGRAM 2

Turn the blade inwards, with both hands, at the same time. The blade will begin to form three rings.

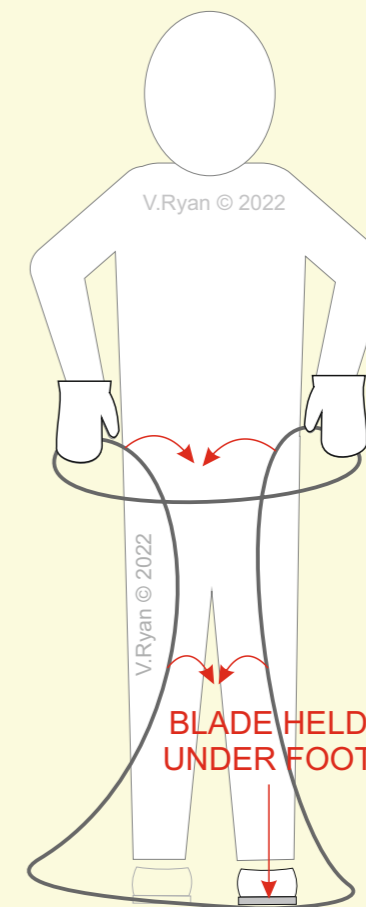


DIAGRAM 3

As the three rings form, lean over and lower the 'rings' to the floor. When ready, allow the blade to fall to the floor. It will stay in the form of three rings.

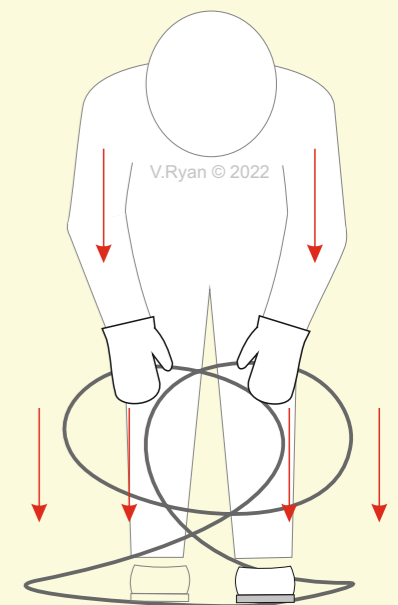


DIAGRAM 4

The band saw blade has formed three rings. It is recommended at this stage, that a piece of string / wire, is used to bind the blade, preventing it from unfolding. The blade can now be stored safely.

