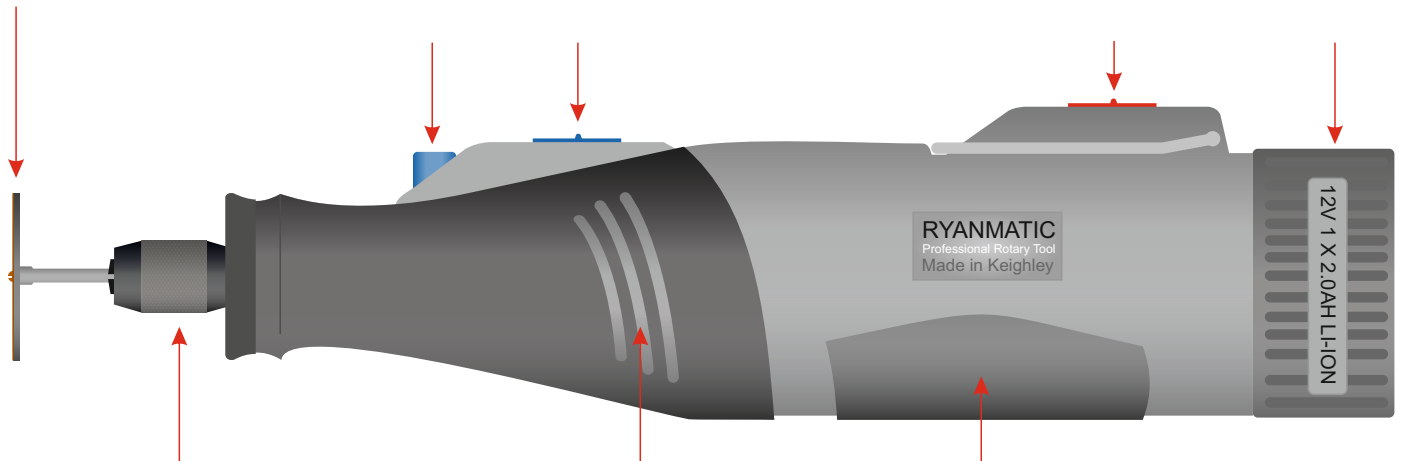


THE ROTARY TOOL - EXAMINATION QUESTIONS

WORLD ASSOCIATION OF TECHNOLOGY TEACHERS <https://www.facebook.com/groups/254963448192823/> www.technologystudent.com © 2023 V.Ryan © 2023

HELPFUL LINK: https://www.technologystudent.com/equip_flsh/rotary1.html

1. Complete the diagram of the rotary tool, by adding the labels indicated by the arrows.
8 marks



2. In the space below, paste or draw images of some of the cutters that can be used with this tool. **8 marks**

THE ROTARY TOOL - EXAMINATION QUESTIONS

HELPFUL LINK: https://www.technologystudent.com/equip_flsh/rotary1.html

3. With the aid of a sketch and notes, explain one practical use of the rotary tool.
8 marks

NOTES:

SKETCH: