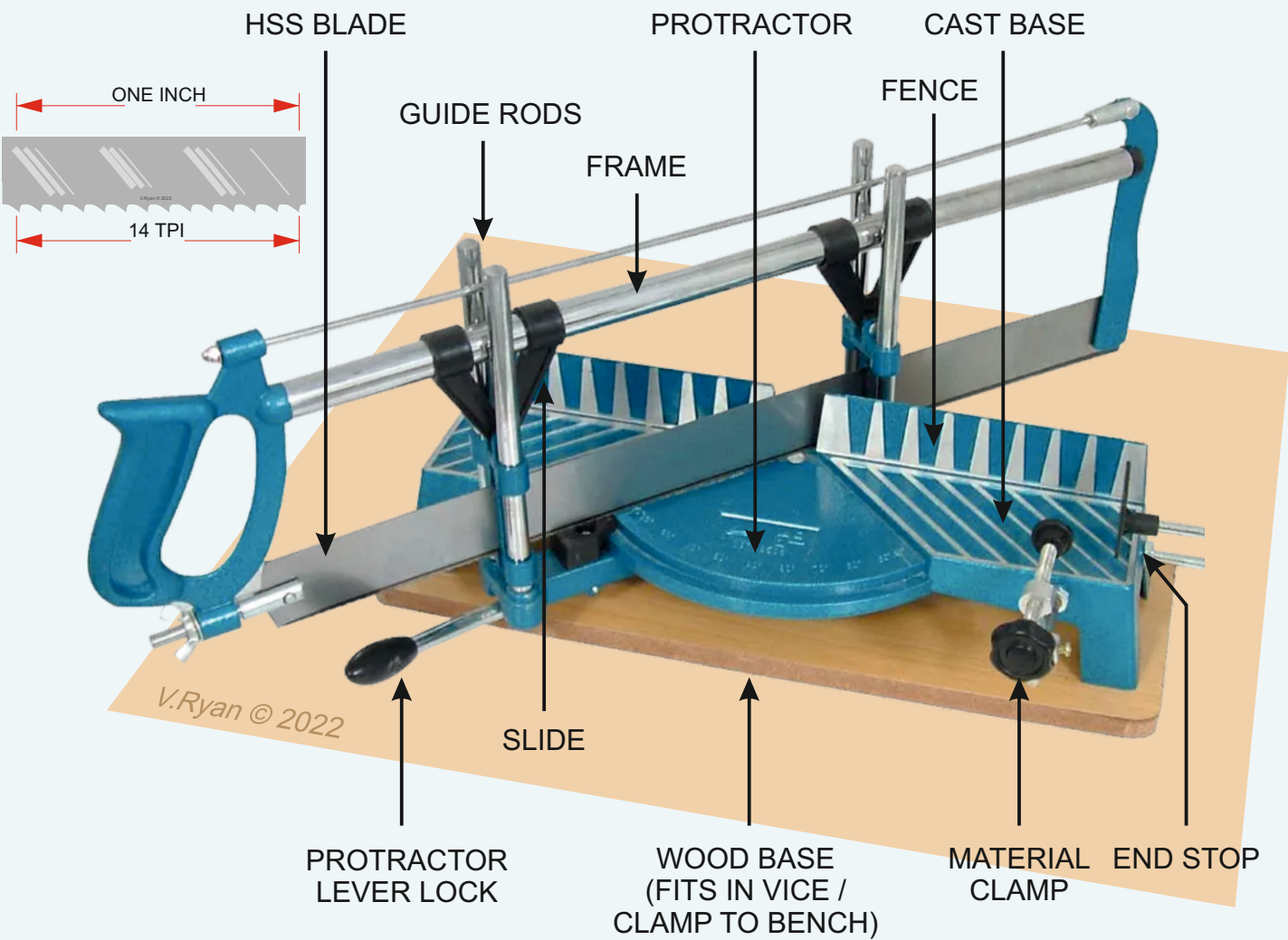
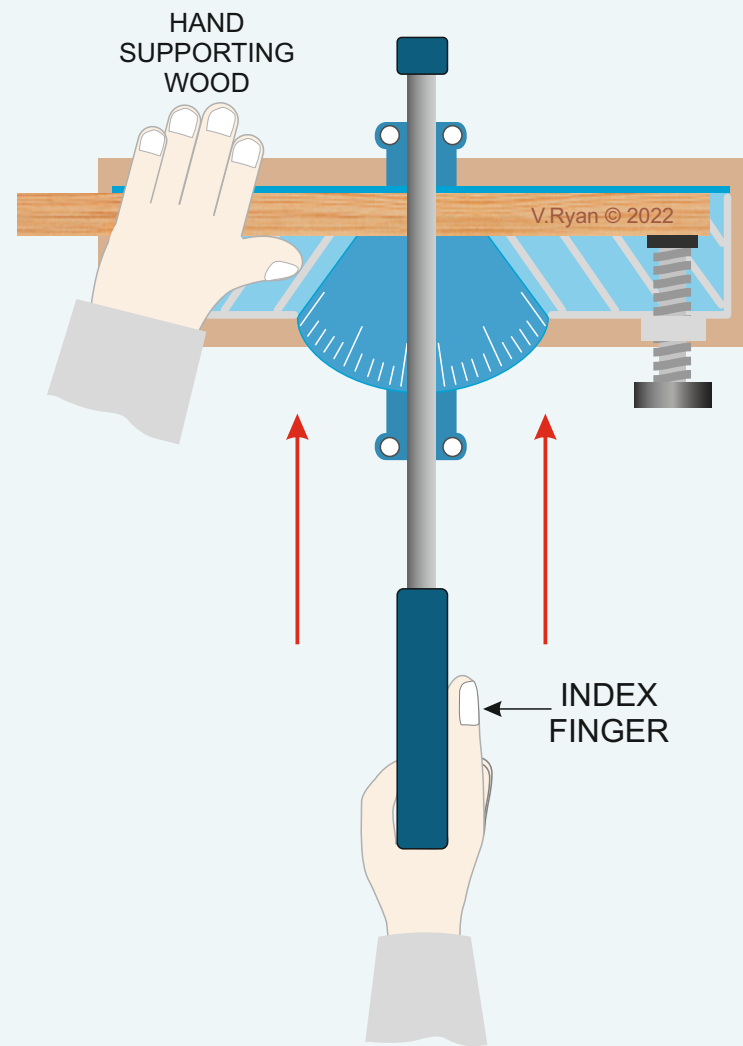


# THE PRECISION HAND MITRE SAW



THE 'PRECISION HAND MITRE SAW' IS EXTREMELY USEFUL, ESPECIALLY WHEN CUTTING ANGLES. IT IS A LIGHTWEIGHT ADAPTABLE SAW, WITH A RANGE OF USES. IT IS IDEAL FOR CUTTING JOINTS, SUCH AS THE MITRE CORNER JOINT. IT CAN EVEN BE USED TO HELP CUT HALVING JOINTS. THE MOST COMMON TYPE HAS A 550MM BLADE, WITH 14 TPI (TEETH PER INCH). IT ALSO HAS AN ADJUSTABLE ANGLE SCALE, A LITTLE LIKE A PROTRACTOR, THAT ALLOWS THE BLADE TO BE SET FROM -55 TO +55 DEGREES. THE 'PROTRACTOR' HAS A NUMBER OF PRESET ANGLES, WHERE THE BLADE CAN BE LOCKED IN POSITION.

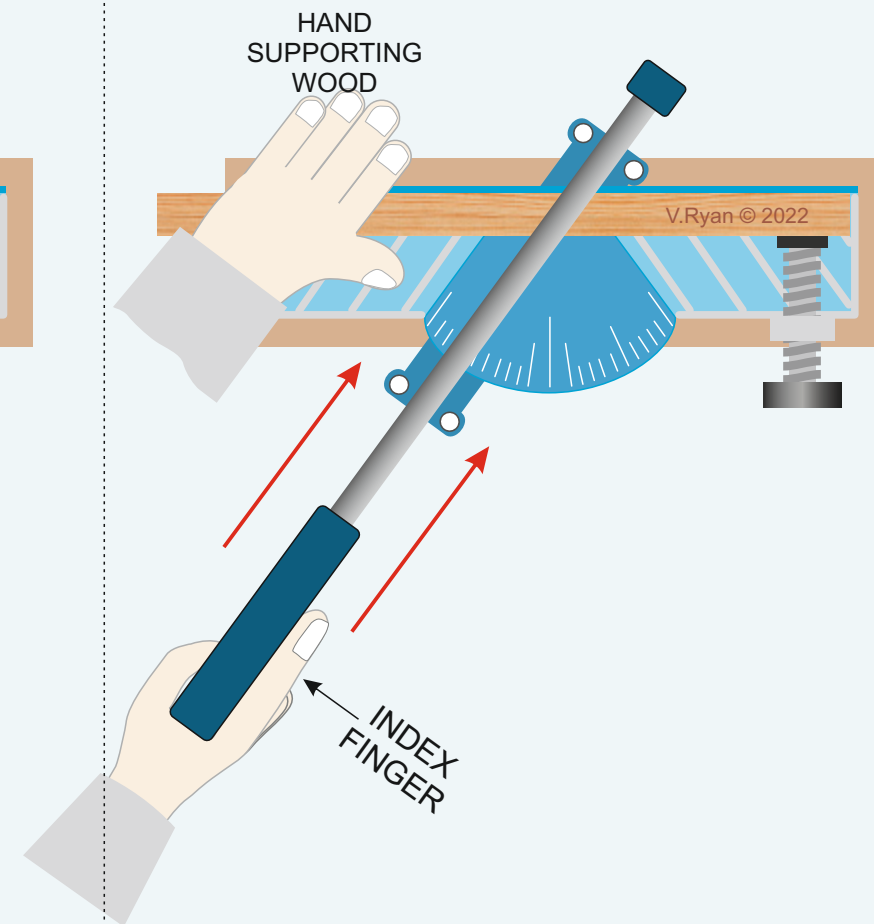
THE MITRE SAW IS SET FOR A STRAIGHT CUT (90 DEGREES)



STRAIGHT CUT PRODUCED



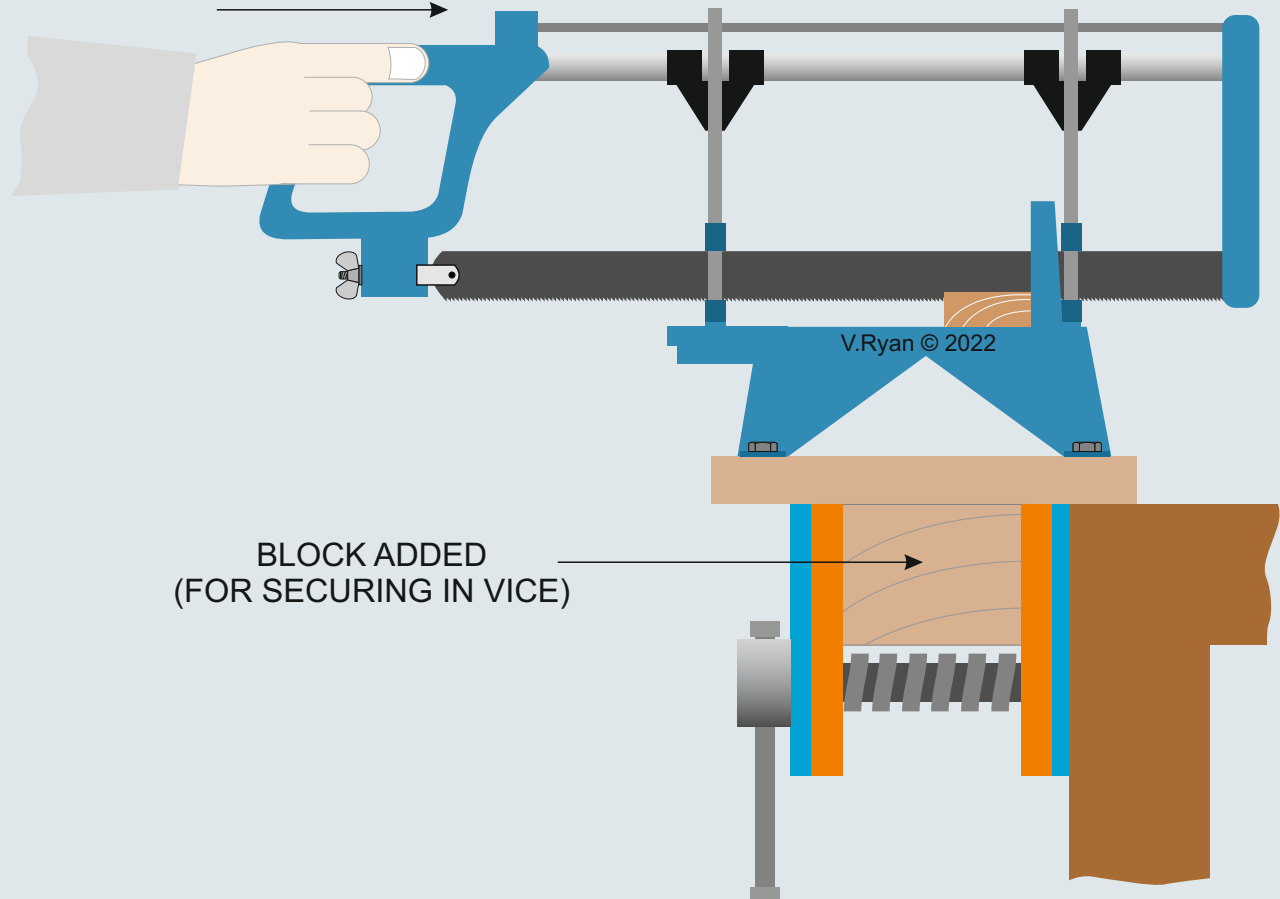
THE MITRE SAW IS SET TO CUT A MITRE OF 45 DEGREES



MITRE CUT PRODUCED



INDEX FINGER POINTING DOWN THE FRAME



BLOCK ADDED (FOR SECURING IN VICE)