

# AUXILIARY VIEWS - ORTHOGRAPHIC DRAWING

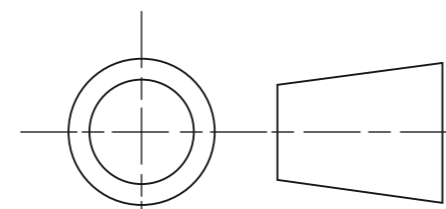
## QUESTION

COMPLETE THE AUXILIARY VIEW OF THE OBJECT SHOWN OPPOSITE. THE AUXILIARY VIEW HAS BEEN STARTED FOR YOU.

HELPFUL LINK:

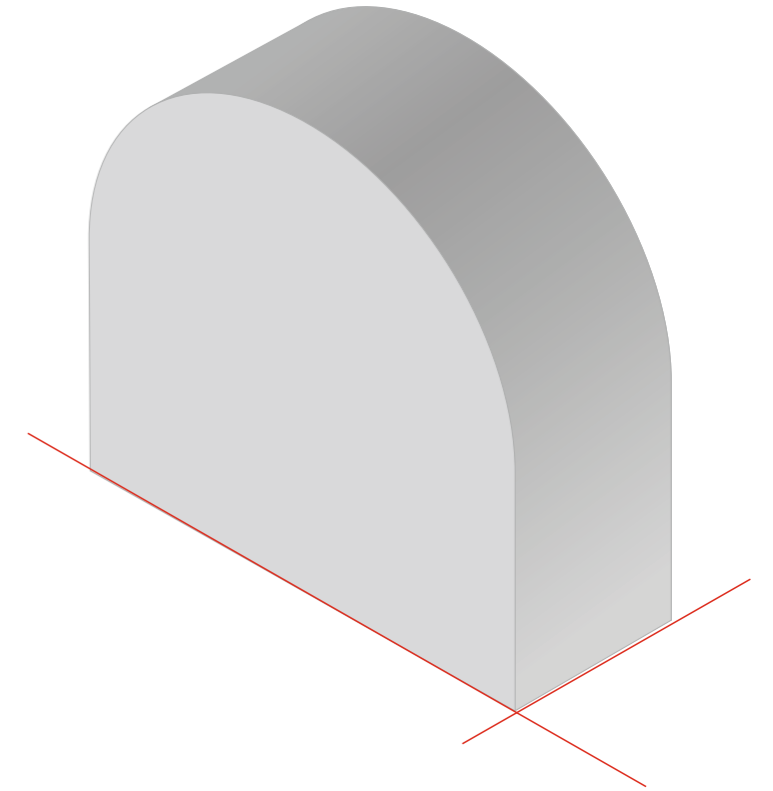
[https://technologystudent.com/despro\\_3/auxil4.html](https://technologystudent.com/despro_3/auxil4.html)

HELPFUL LINK



THIRD ANGLE PROJECTION

## ISOMETRIC



## DIMENSIONS

