

AUXILIARY VIEWS - ORTHOGRAPHIC DRAWING

WORLD ASSOCIATION OF TECHNOLOGY TEACHERS

<https://www.facebook.com/groups/254963448192823/>

technologystudent.com © 2023

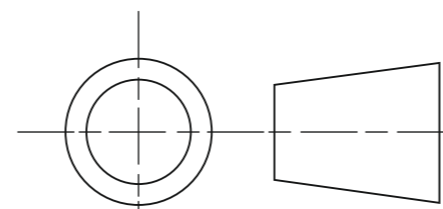
V.Ryan © 2023

QUESTION

Draw the front, side and auxiliary views, of the solid object. Details and dimensions of the object are shown to the right of the page.

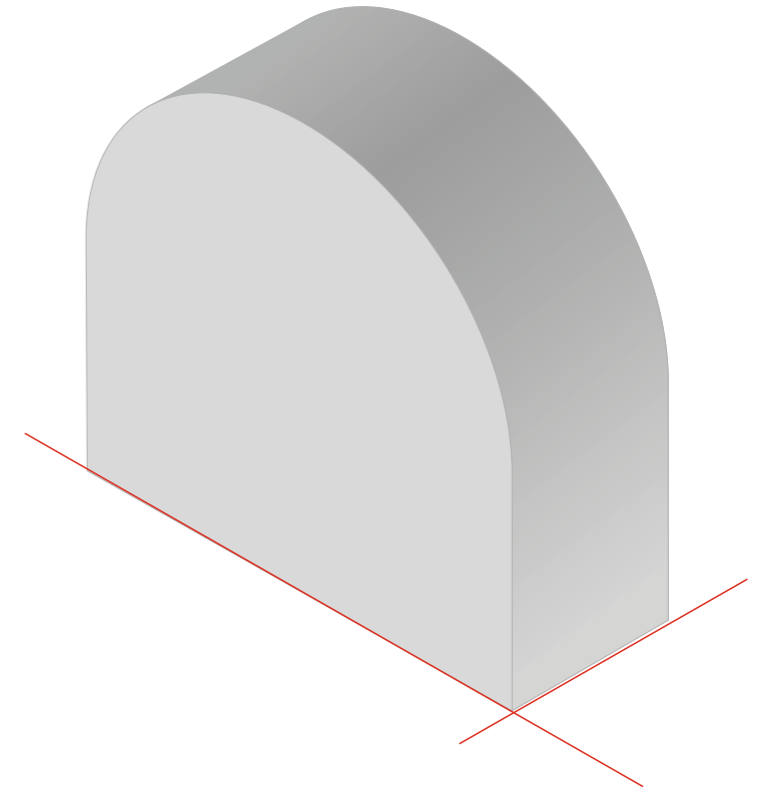
HELPFUL LINK:
https://technologystudent.com/despro_3/auxil4.html

HELPFUL LINK



THIRD ANGLE PROJECTION

ISOMETRIC



DIMENSIONS

