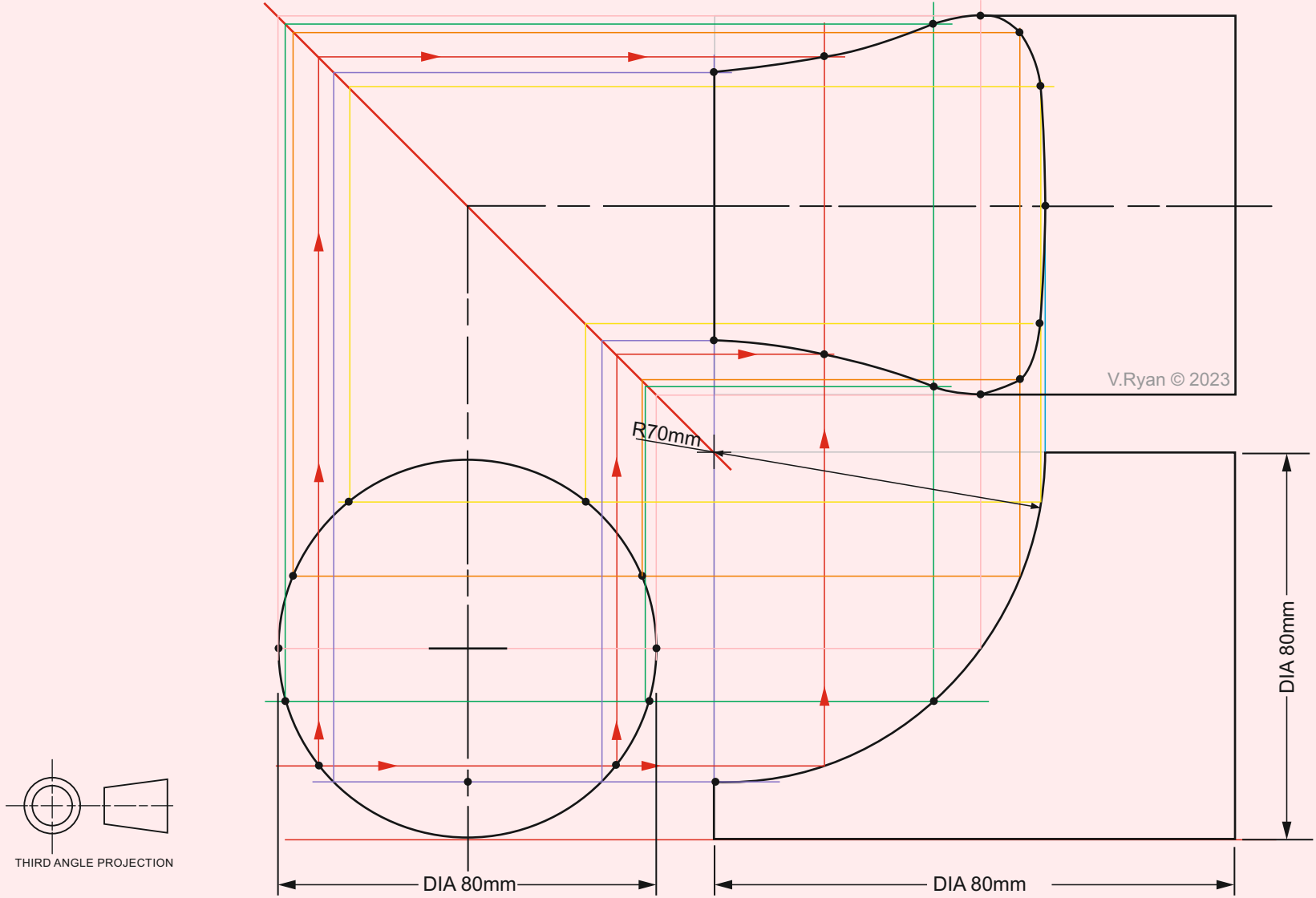


TRUE SHAPES-SOLIDS OF REVOLUTION-CURVES OF INTERSECTION

GEOMETRICAL DRAWING



THIRD ANGLE ORTHOGRAPHIC DRAWING

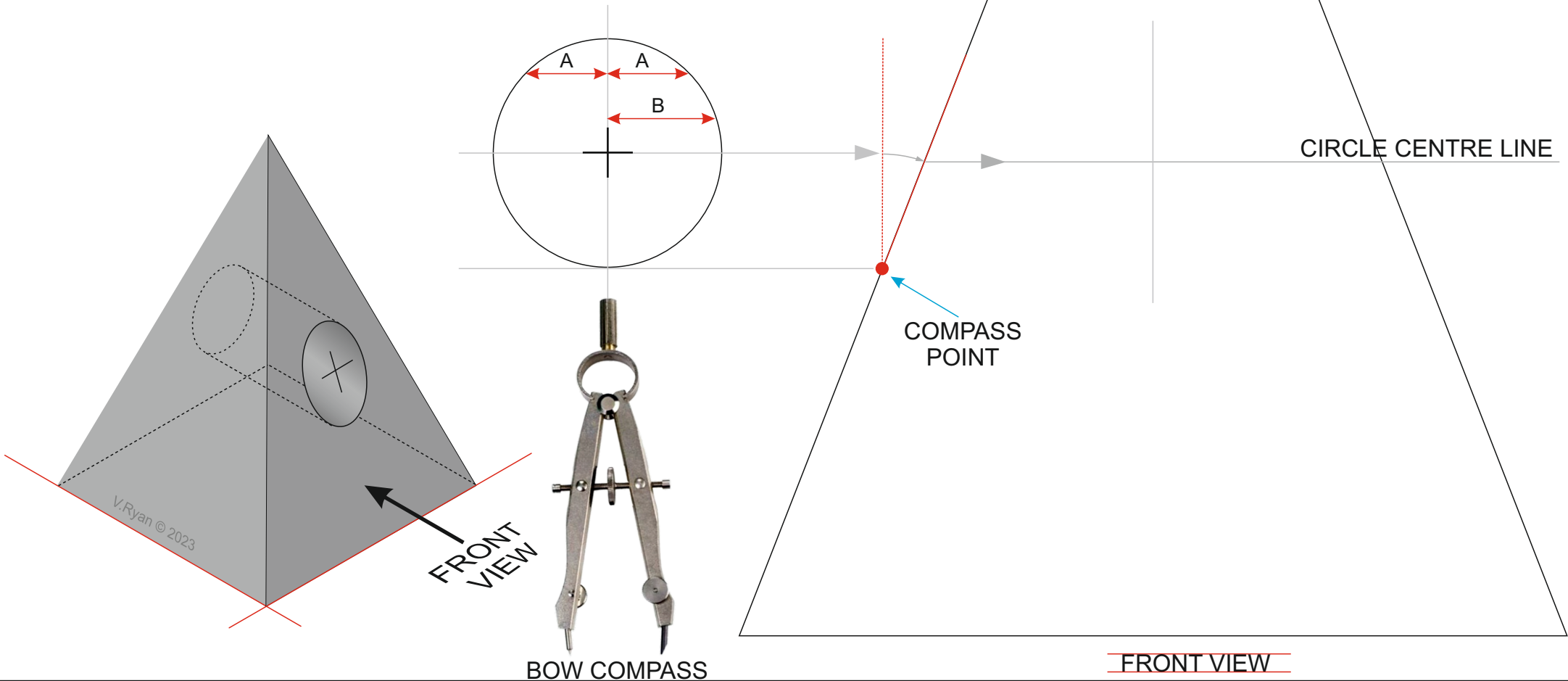
HELPFUL LINK: https://technologystudent.com/despro_3/truelength1.html

DRAWING THE CIRCLE AT ITS 'TRUE' SIZE

COMPLETE THE DRAWING OF THE SQUARE PYRAMID, BY ADDING THE CIRCLE / HOLE TO THE FRONT VIEW.

THE ORIGINAL CIRCLE NEEDS PROJECTING ON TO THE FRONT VIEW. IT WILL NOT APPEAR AS A PERFECT CIRCLE, BECAUSE THE FRONT OF THE PYRAMID SLANTS AWAY FROM THE VIEWER.

HELPFUL LINK



CIRCLE CENTRE LINE

COMPASS POINT

FRONT VIEW

BOW COMPASS

FRONT VIEW

DRAWING TRUE SHAPES - ORTHOGRAPHIC DRAWING

WORLD ASSOCIATION OF TECHNOLOGY TEACHERS

<https://www.facebook.com/groups/254963448192823/>

technologystudent.com © 2023

V.Ryan © 2023

HELPFUL LINK: https://technologystudent.com/despro_3/truelength1.html

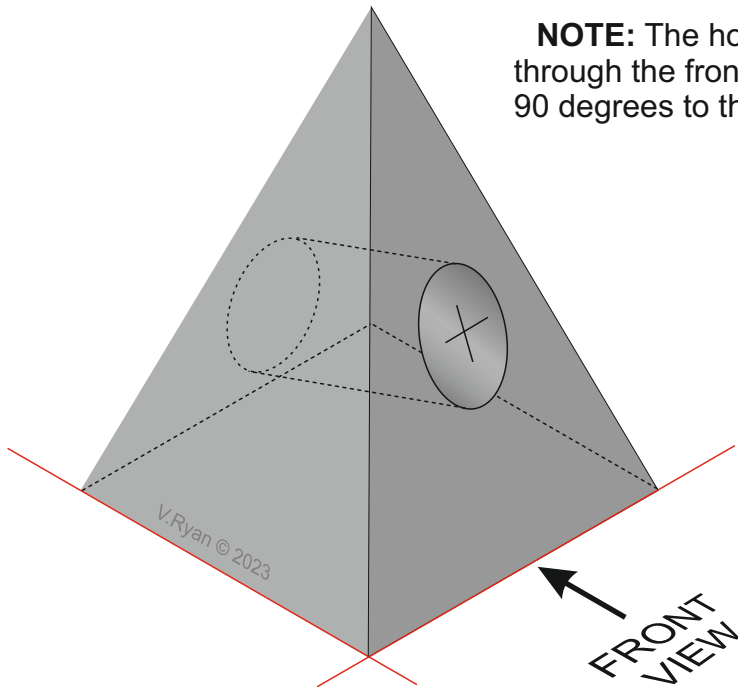
COMPLETE THE THREE VIEWS OF THE SQUARE PYRAMID SHOWN BELOW. USE THE COMPASS TECHNIQUE TO DRAW THE CIRCLE ACCURATELY ON THE FRONT VIEW.

HELPFUL LINK

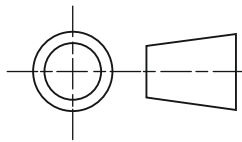


SQUARE PYRAMID

NOTE: The hole drilled through the front face is at 90 degrees to the surface.

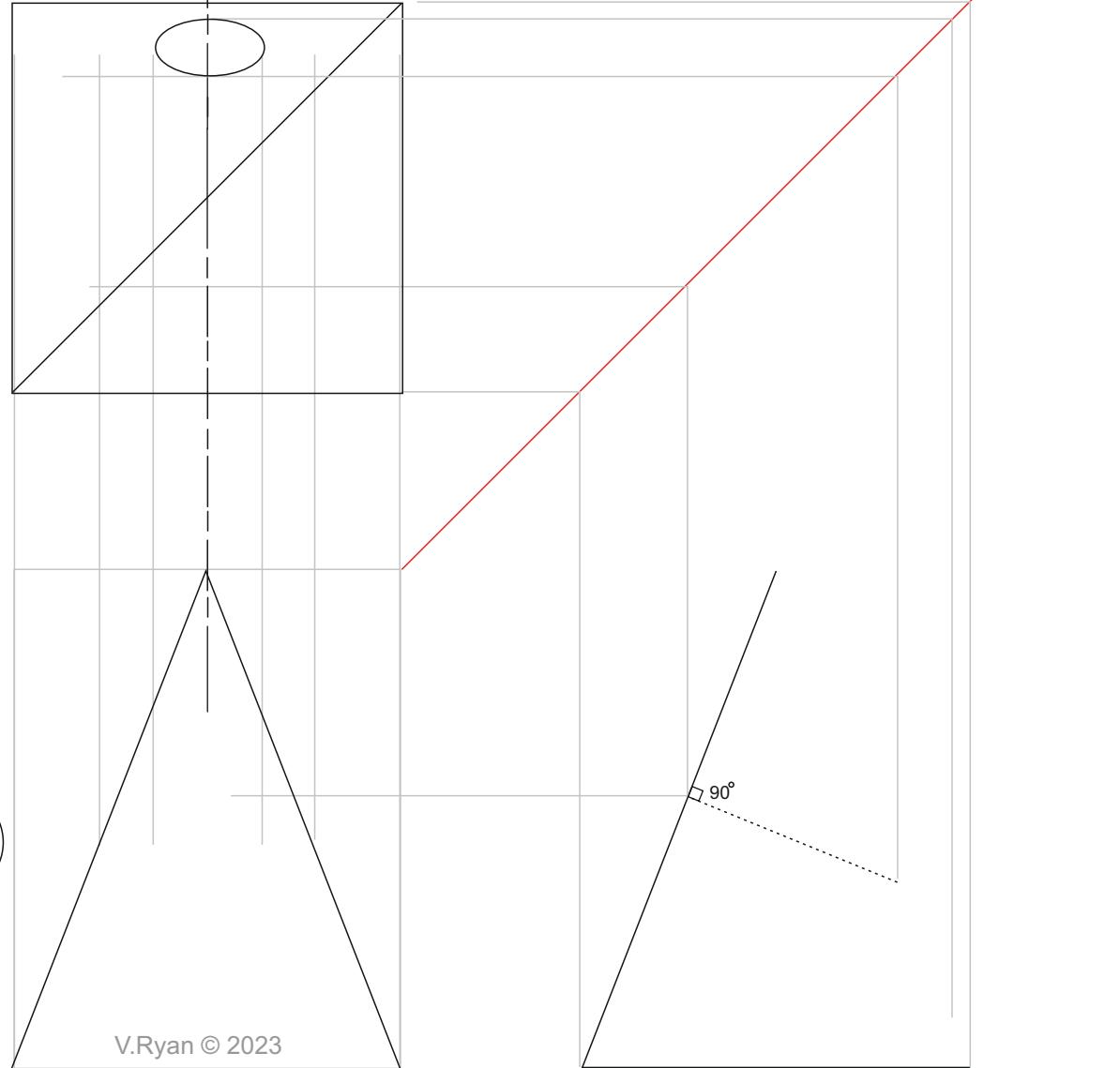


FRONT VIEW



THIRD ANGLE PROJECTION

PLAN VIEW



BASE LINE

V.Ryan © 2023

FRONT VIEW

SIDE VIEW

DRAWING TRUE SHAPES - ORTHOGRAPHIC DRAWING

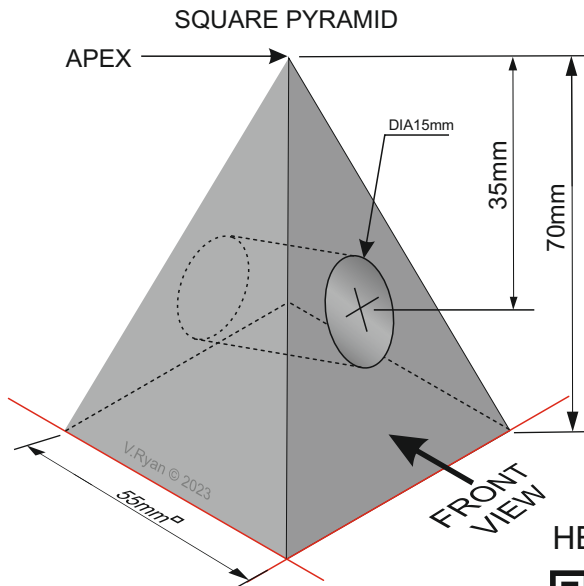
WORLD ASSOCIATION OF TECHNOLOGY TEACHERS

<https://www.facebook.com/groups/254963448192823/>

technologystudent.com © 2023

V.Ryan © 2023

HELPFUL LINK: https://technologystudent.com/despro_3/truelength1.html



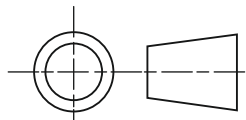
NOTE: The hole drilled through the front face is at 90 degrees to the surface.

HELPFUL LINK



DRAW FRONT, SIDE AND SECTIONAL PLAN ELEVATION OF THE SQUARE PYRAMID SHOWN ABOVE

PLEASE ESTIMATE WHERE THEY ARE NOT STATED



THIRD ANGLE PROJECTION

BASE LINE

SOLIDS OF REVOLUTION - GEOMETRICAL DRAWING

HELPFUL LINK: https://technologystudent.com/despro_3/solid1.html

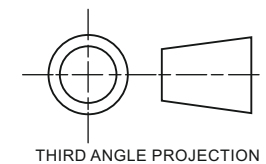
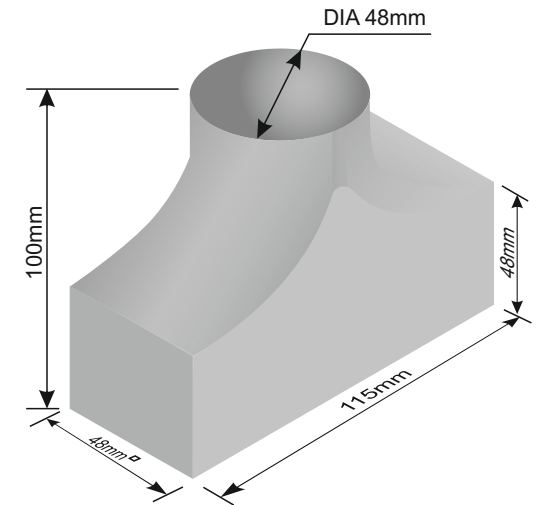
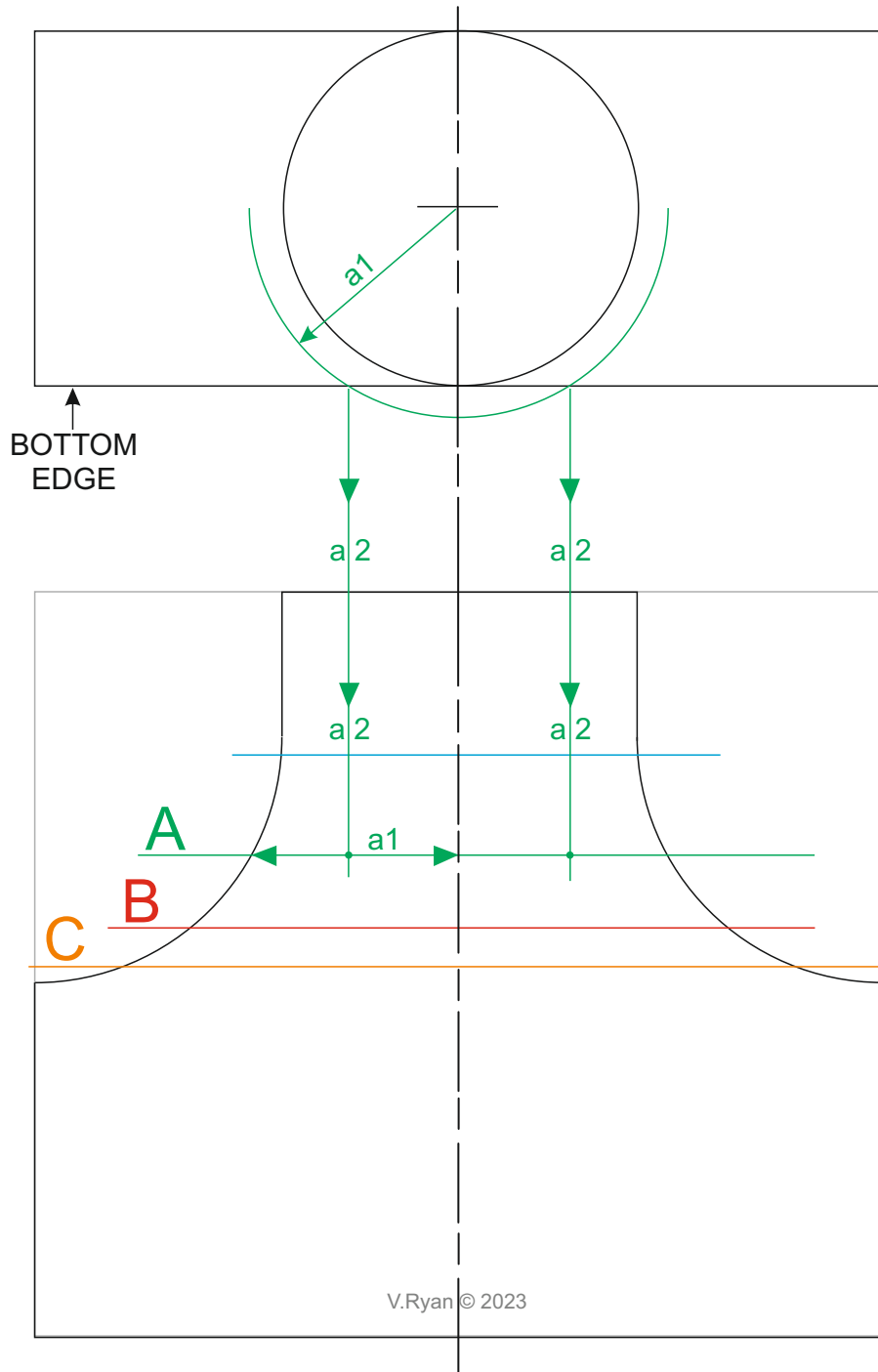
HELPFUL LINK



THE OBJECT BELOW IS A SOLID.

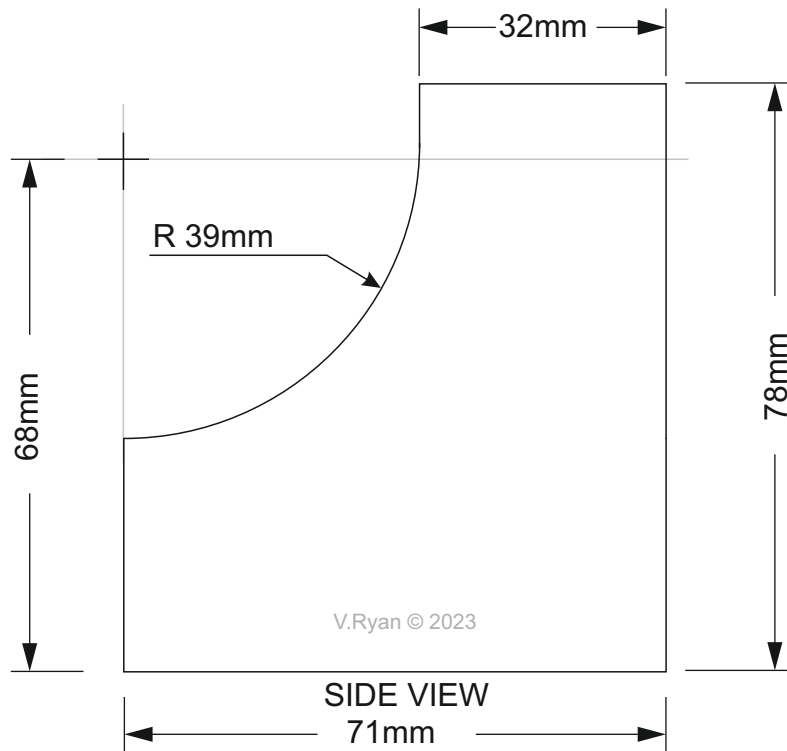
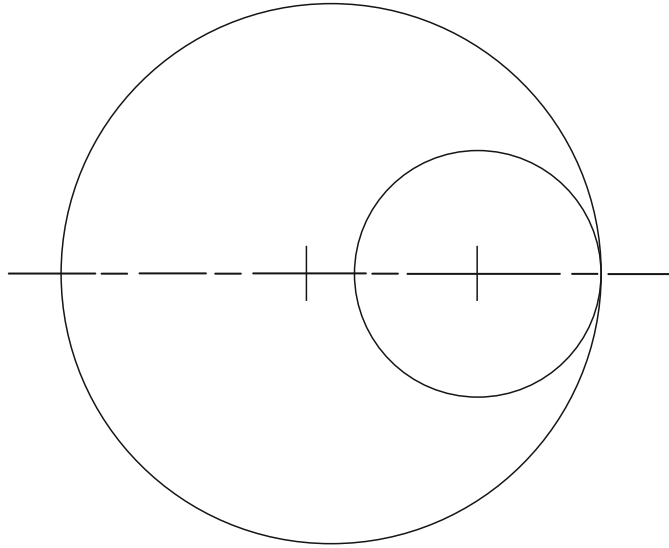
COMPLETE THE 'SOLID OF REVOLUTION',
SHOWING THE CURVE PRODUCED BY THE
ROUND AND THE CUBOID SECTIONS.

SOME OF THE GUIDELINES HAVE BEEN
DRAWN FOR YOU.

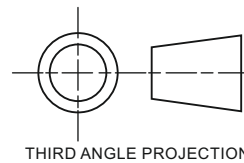


SOLIDS OF REVOLUTION - GEOMETRICAL DRAWING

PLAN VIEW



V.Ryan © 2023

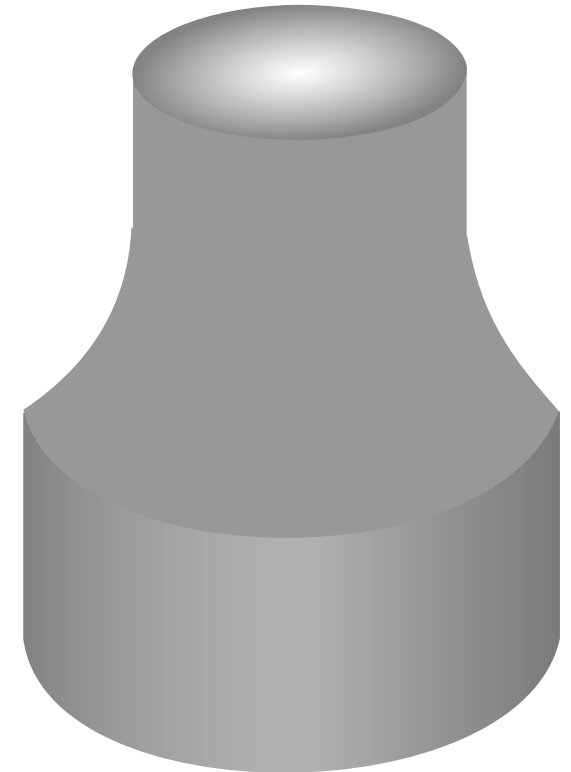


QUESTION

COMPLETE THE SOLID OF REVOLUTION ON THE SIDE VIEW.
DO NOT REMOVE CONSTRUCTIONS LINES / GUIDELINES

HELPFUL LINK: https://technologystudent.com/despro_3/solid2.html

HELPFUL LINK



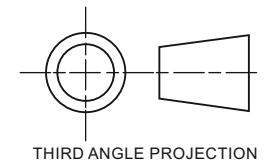
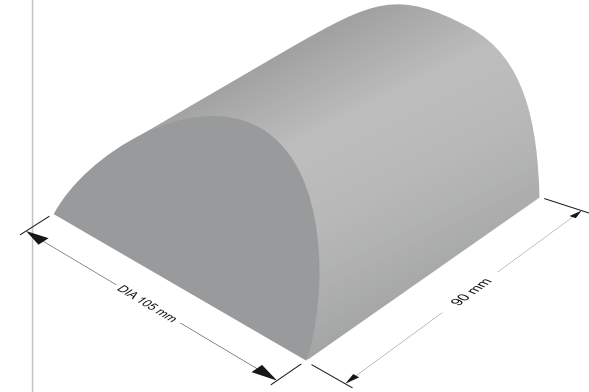
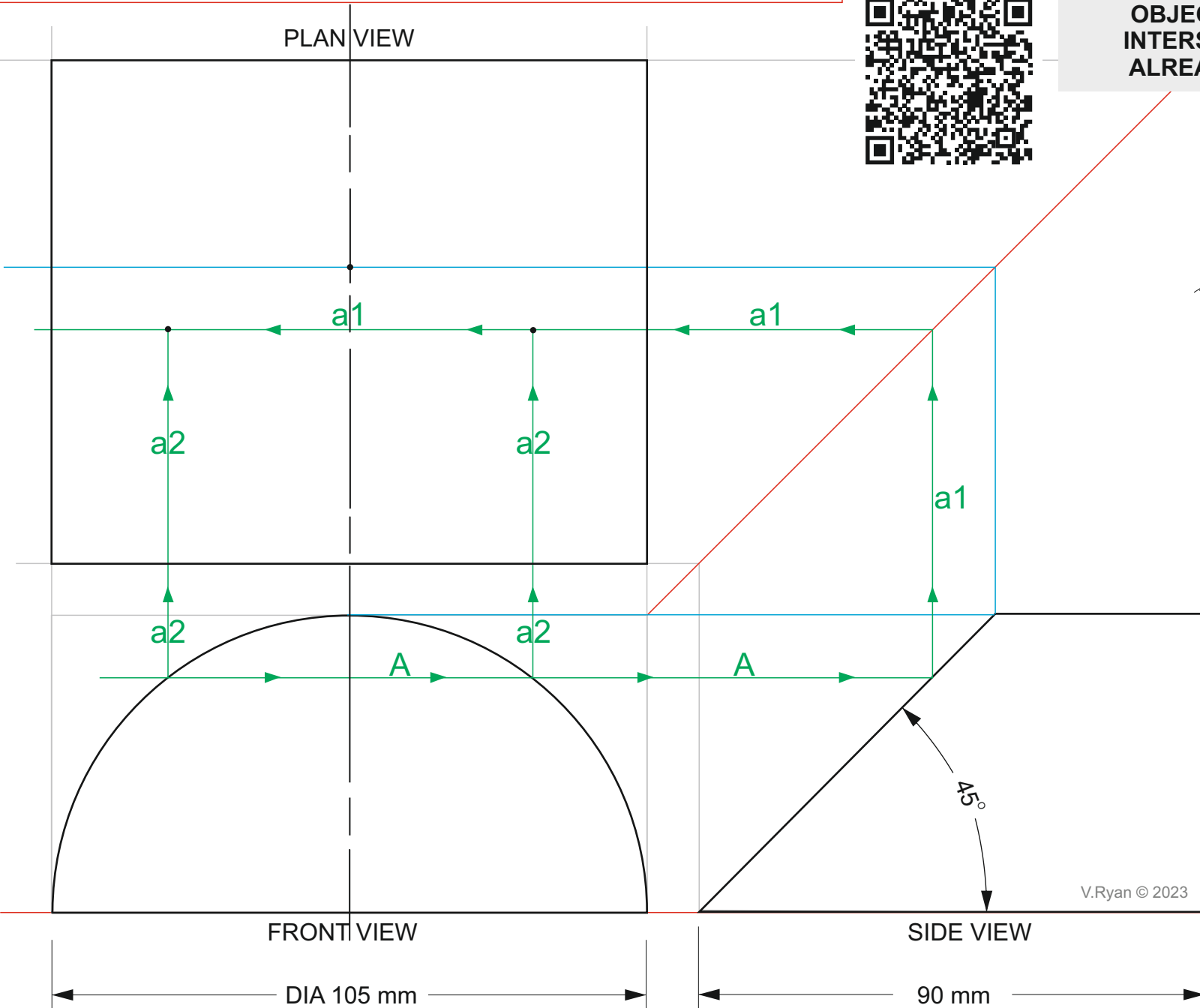
CURVES OF INTERSECTION

HELPFUL LINK: https://technologystudent.com/despro_3/curve1.html

HELPFUL LINK

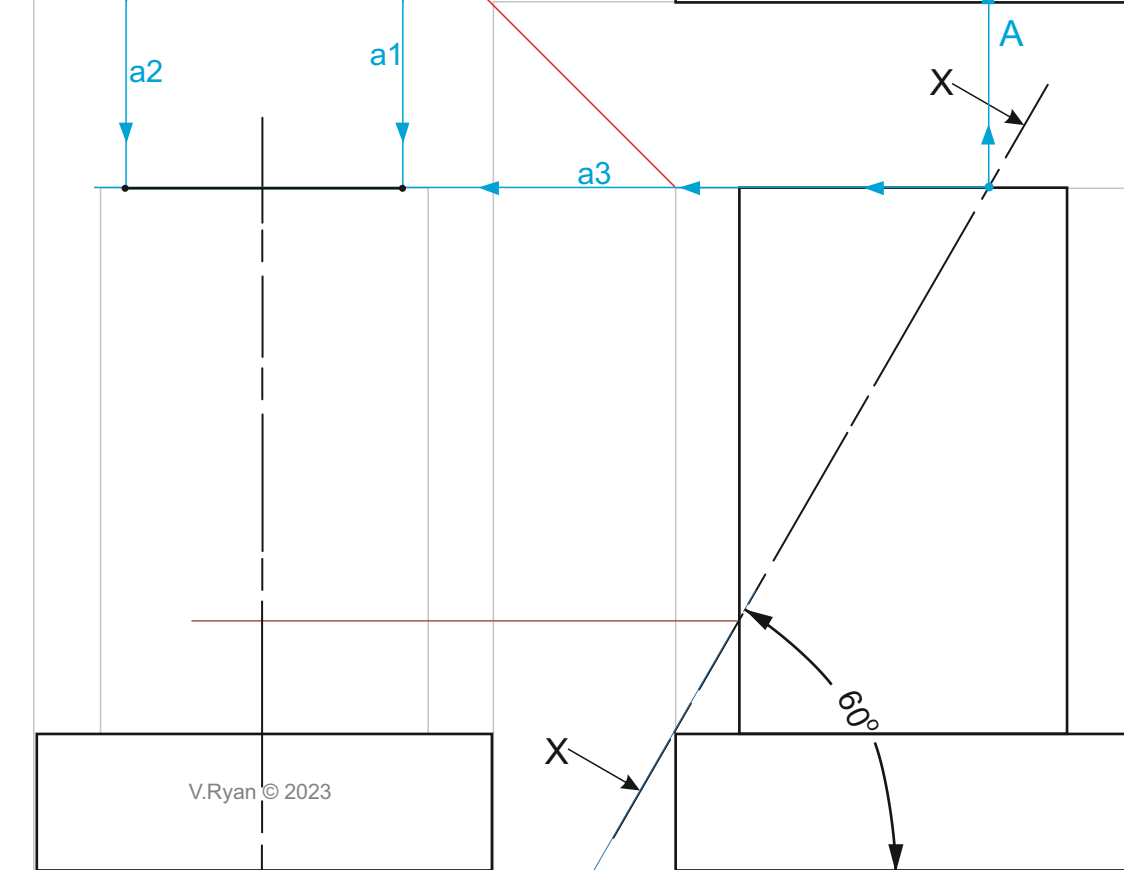
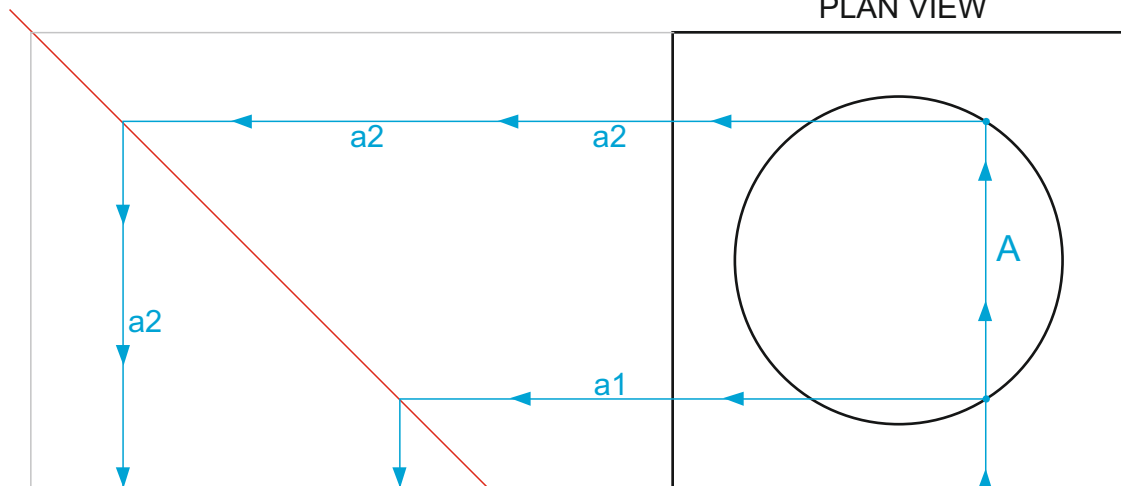


COMPLETE THE PLAN VIEW OF THE SOLID OBJECT, BY ADDING THE CURVE OF INTERSECTION. THREE POINTS HAVE ALREADY BEEN PLOTTED FOR YOU.



CURVES OF INTERSECTION

PLAN VIEW



V.Ryan © 2023

FRONT VIEW

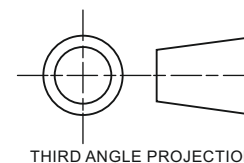
SIDE VIEW

HELPFUL LINK:

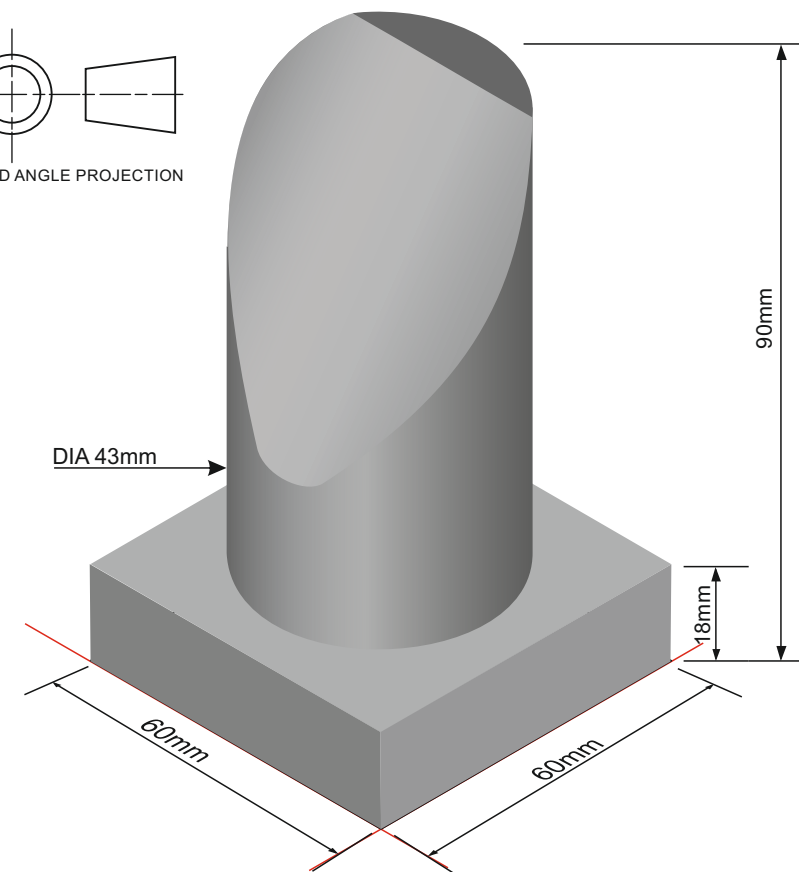
https://technologystudent.com/despro_3/curve2.html



COMPLETE THE FRONT VIEW OF THE SOLID OBJECT, BY ADDING THE CURVE OF INTERSECTION. THE FIRST TWO POINTS HAVE ALREADY BEEN PLOTTED FOR YOU.



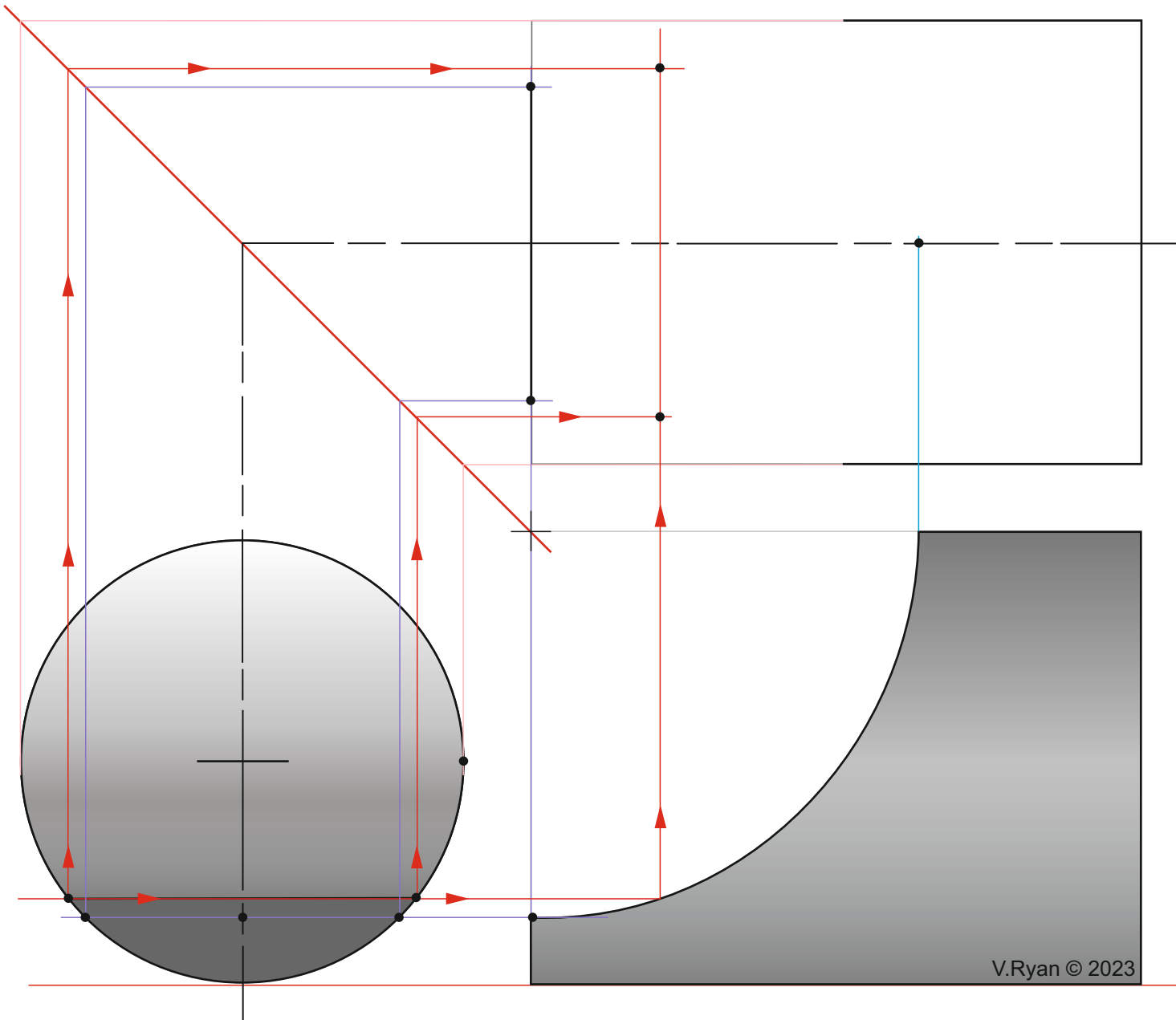
THIRD ANGLE PROJECTION



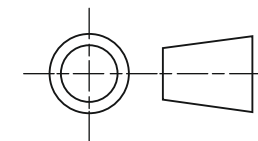
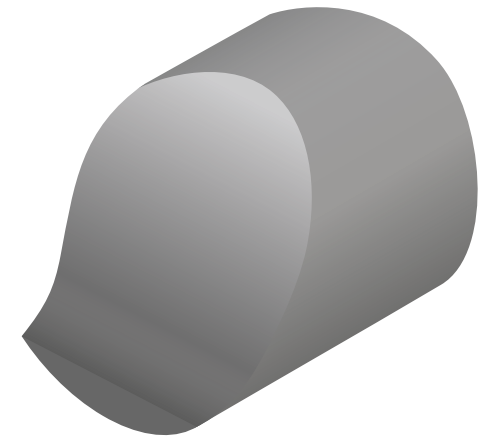
CURVES OF INTERSECTION

HELPFUL LINK:
https://technologystudent.com/despro_3/curve3.html

PLAN VIEW



COMPLETE THE PLAN VIEW OF THE SOLID OBJECT, BY ADDING THE CURVE OF INTERSECTION. SOME POINTS HAVE ALREADY BEEN PLOTTED FOR YOU.



THIRD ANGLE PROJECTION