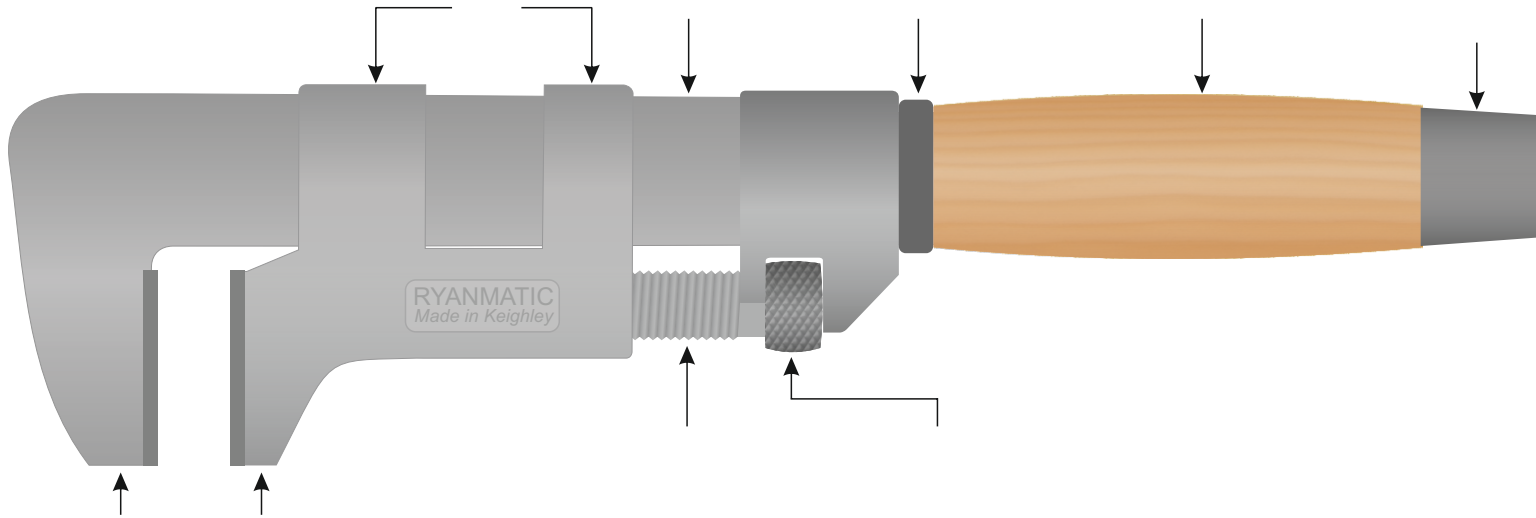


THE MONKEY WRENCH - EXAMINATION QUESTIONS

WORLD ASSOCIATION OF TECHNOLOGY TEACHERS <https://www.facebook.com/groups/254963448192823/> www.technologystudent.com © 2024 V.Ryan © 2024

HELPFUL LINK: https://www.technologystudent.com/equip_flsh/monkeyw1.html

1. Complete the diagram of the Monkey Wrench, by adding the missing labels, indicated by the arrows. **9 marks**



2. Describe the history behind the design of the Monkey Wrench and its general use. **6 marks**
