

OBLIQUE PROJECTION

QUESTION

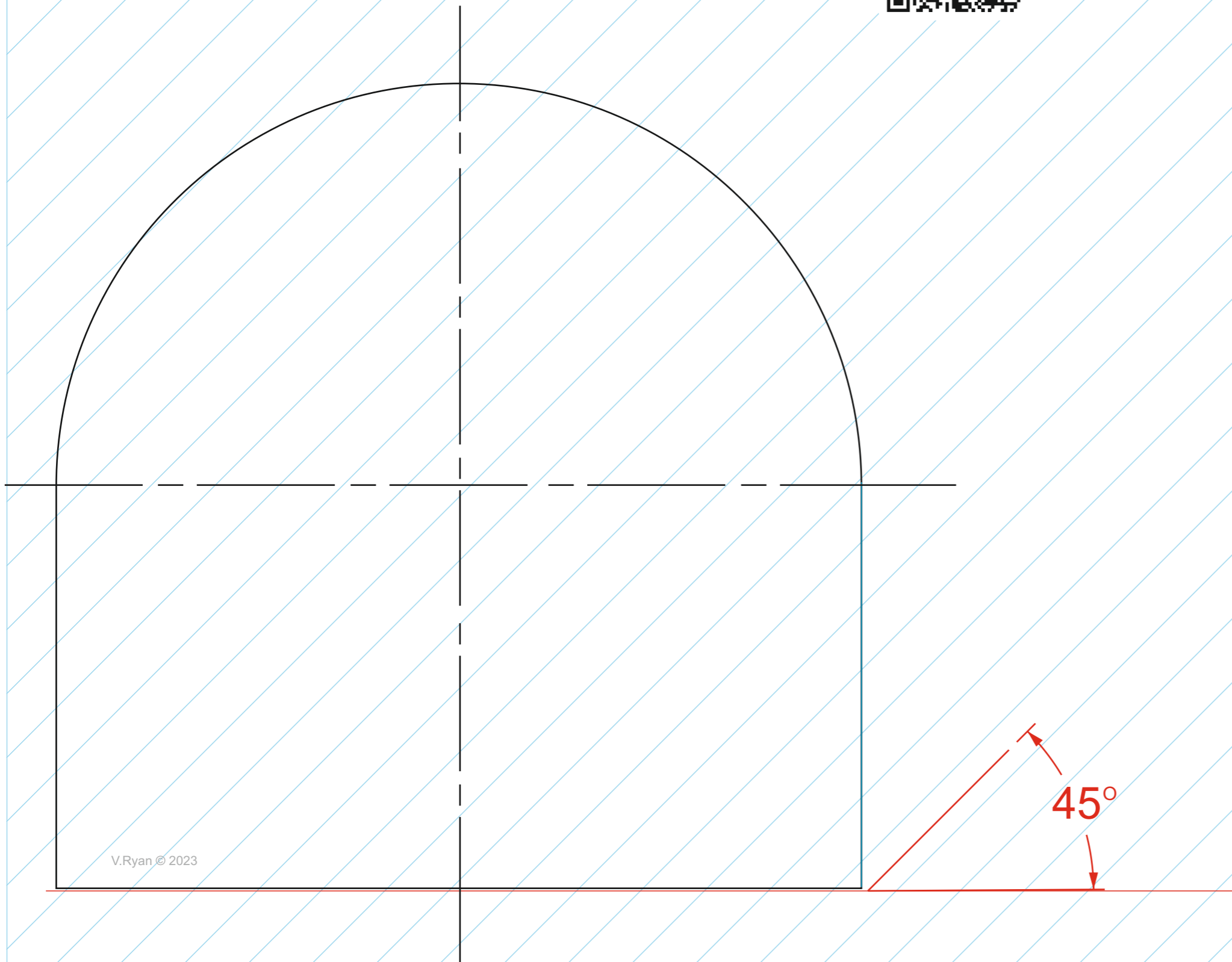
COMPLETE THE OBLIQUE PROJECTION OF THE SOLID OBJECT

HELPFUL LINK:

https://technologystudent.com/despro_3/oblique3.html

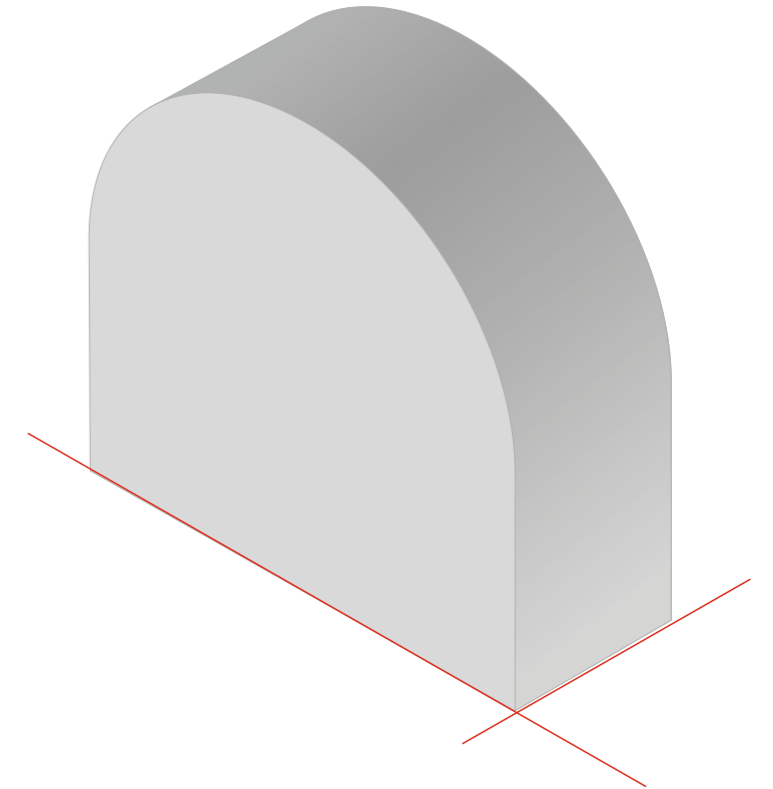
SCALE 2:1

HELPFUL LINK



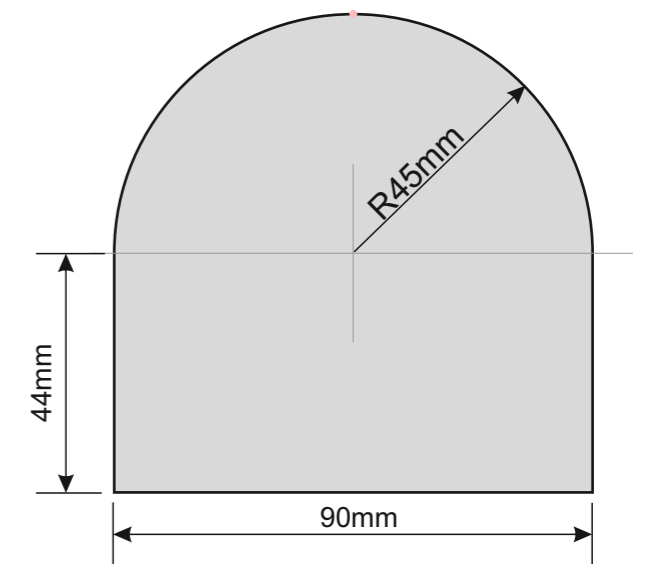
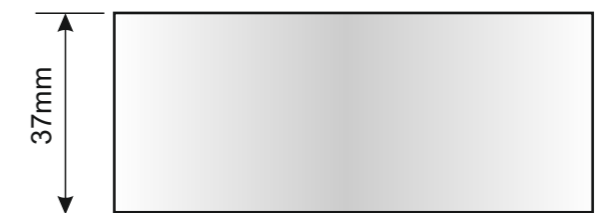
V.Ryan © 2023

ISOMETRIC



DIMENSIONS

PLAN VIEW



FRONT VIEW